

PW15AH...

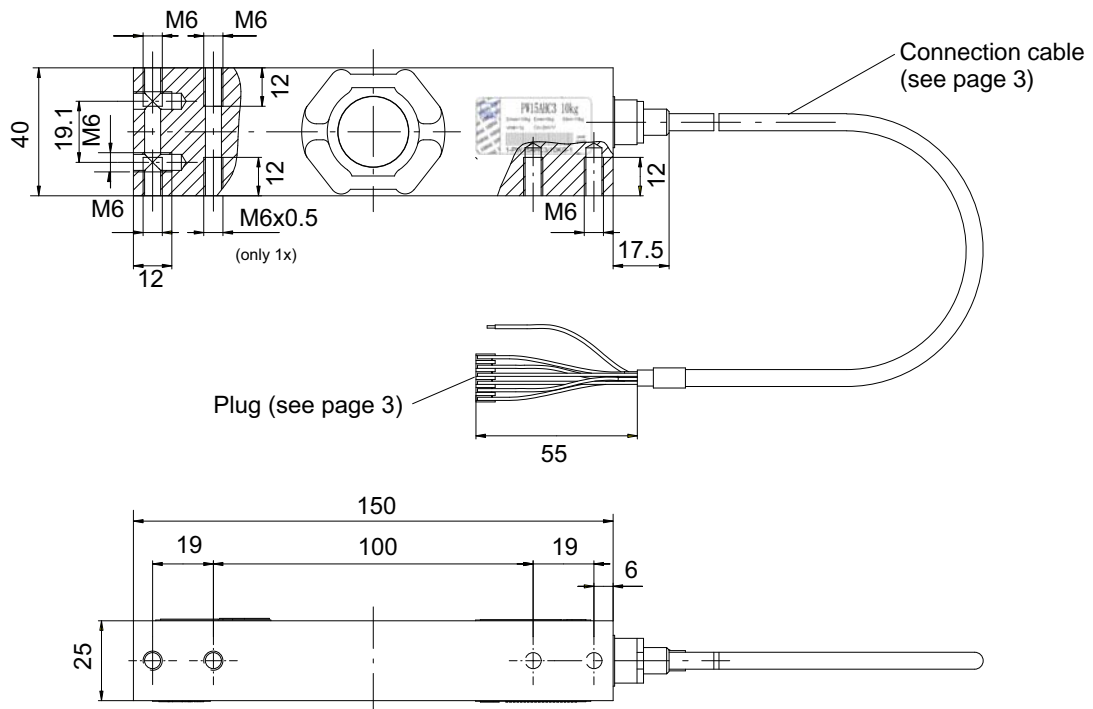
Single point load cell

Special features

- Nominal load 10 kg ... 100 kg
- Stainless steel
- High ratio of minimum verification interval Y
- Industrial Footprint (SP4M)
- Degree of Protection IP68; IP69K
- Different cable lengths and other options available



Dimensions (in mm; 1 mm= 0.03937 inches)



Specifications

Type			PW15AH...			
Accuracy class ¹⁾			C3 Multi Range (MR)			
Max. number of load cell interval	n_{LC}		3000			
Maximum capacity	E_{max}	kg	10	20	50	100
Min. LC verification interval	v_{min}	g	1	2	5	10
Ratio of minimum verification interval	Y		10000			
Temperature effect on zero balance	TK_0	% of C_n / 10 K	± 0.0140	± 0.0140	± 0.0140	± 0.0140
Maximum platform size		mm	500 x 400			
Sensitivity	C_n	mV/V	2.0 \pm 0.2			
Zero balance			0 \pm 0.1			
Temperature effect on sensitivity ²⁾ Temperature range: +20 ... +40°C [+68 ... +104°F] -10 ... +20°C [+14 ... +68°F]	TK_C	% of C_n / 10 K	± 0.0175 ± 0.0117			
Hysteresis error ²⁾	d_{hy}	% of C_n	± 0.0166			
Non-linearity ²⁾	d_{lin}		± 0.0166			
Minimum dead load output return	DR		± 0.0166			
Off center load error ³⁾			± 0.0233 ³⁾			
Input resistance	R_{LC}	Ω	300 ... 500			
Output resistance	R_0		300 ... 500			
Reference excitation voltage	U_{ref}	V	5			
Nom. range of excitation voltage	B_U		1 ... 12			
Max. excitation voltage			15			
Insulation resistance with 100 V _{DC}	R_{is}	G Ω	> 1			
Nominal temperature range	B_T	°C [°F]	-10 ... +40 [+14 ... +104°F]			
Service temperature range	B_{tu}		-10 ... +50 [+14 ... +122°F]			
Storage temperature range	B_{tl}		-25 ... +70 [-13 ... +158°F]			
Safe load limit ^{*)}	E_L	% of E_{max}	150			
^{*)} at max. eccentricity		mm	160			
Lateral load limit, static	E_{lq}	% of E_{max}	300			
Breaking load	E_d		300			
Deflect. at E_{max} , approx.	s_{nom}	mm	< 0.5			
Weight, approx.	m	kg	1.0			
Protection class ⁵⁾			IP 68 (test conditions 100 h at 1 m water column); IP69K (water at high pressure, steam jet cleaning) ⁴⁾			
Material Measuring element Coating Cable sheath			C1.4545 ⁶⁾ Silicone rubber PVC			

¹⁾ According to OIML R60 with $P_{LC} = 0.7$

²⁾ The data for Non-linearity (d_{lin}), Hysteresis error (d_{hy}) and Temperature effect on sensitivity (TK_C) are typical values. The sum of these data meets the requirements according to OIML R60.

³⁾ According to OIML R76

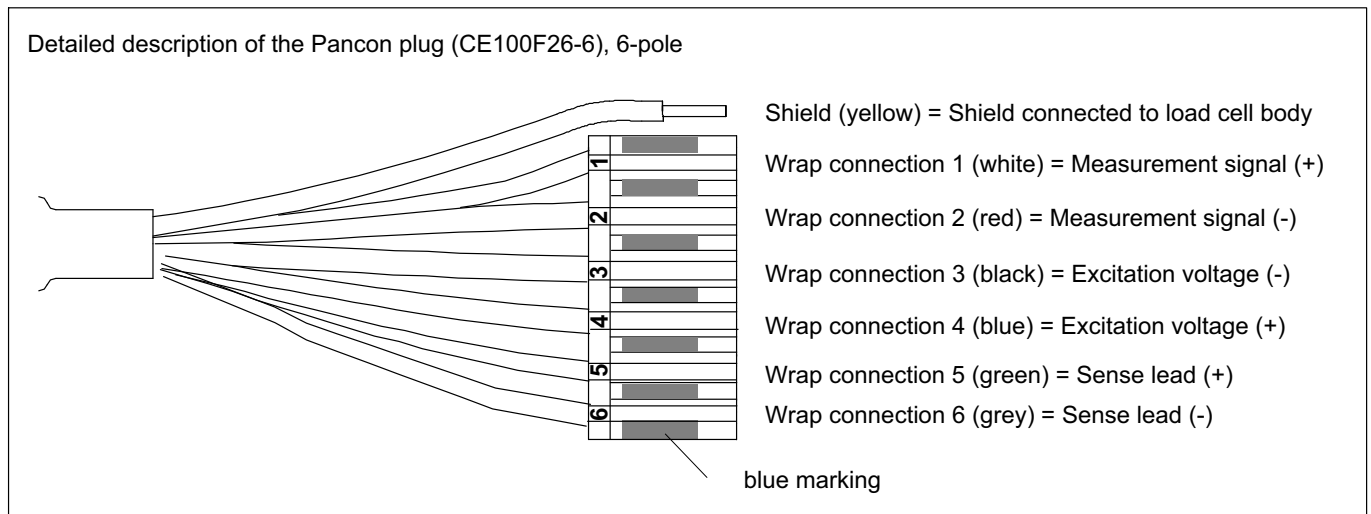
⁴⁾ Following the definitions of the DIN 40050, part of 9, for road vehicles

⁵⁾ According to EN60529 (IEC529)

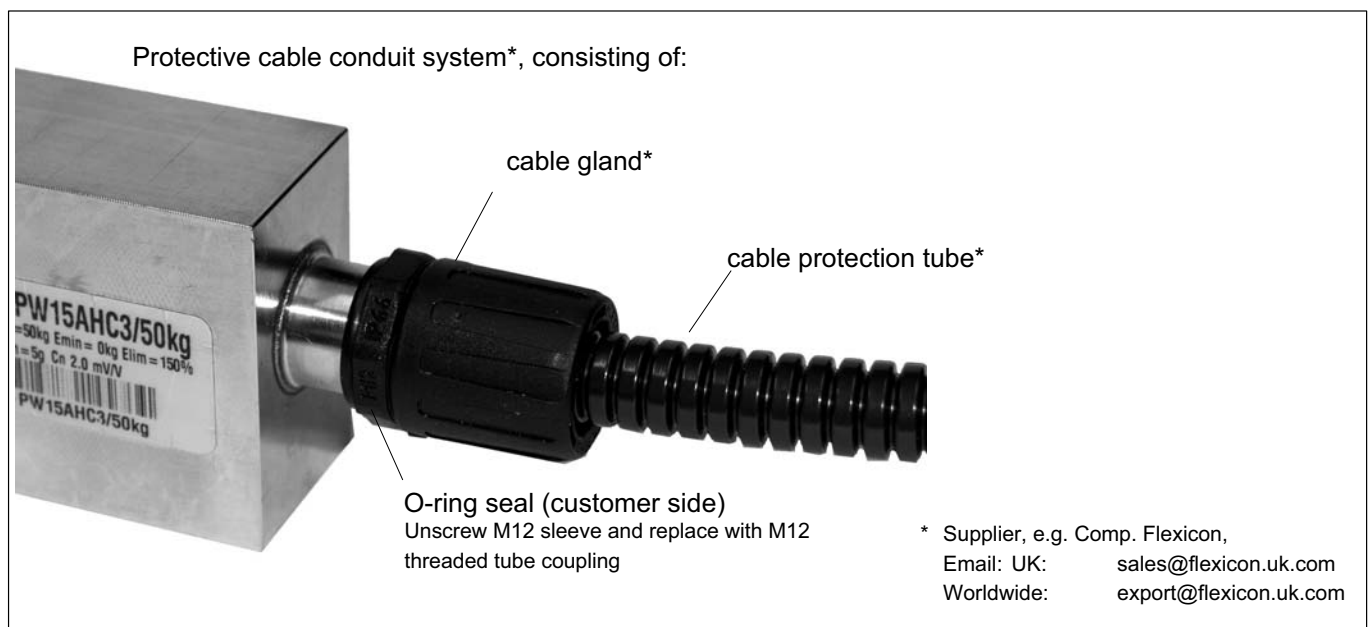
⁶⁾ According to EN 10088-1

Wiring code

Connection with 6 wire cable (selectable cable length: 3 m; 6 m)

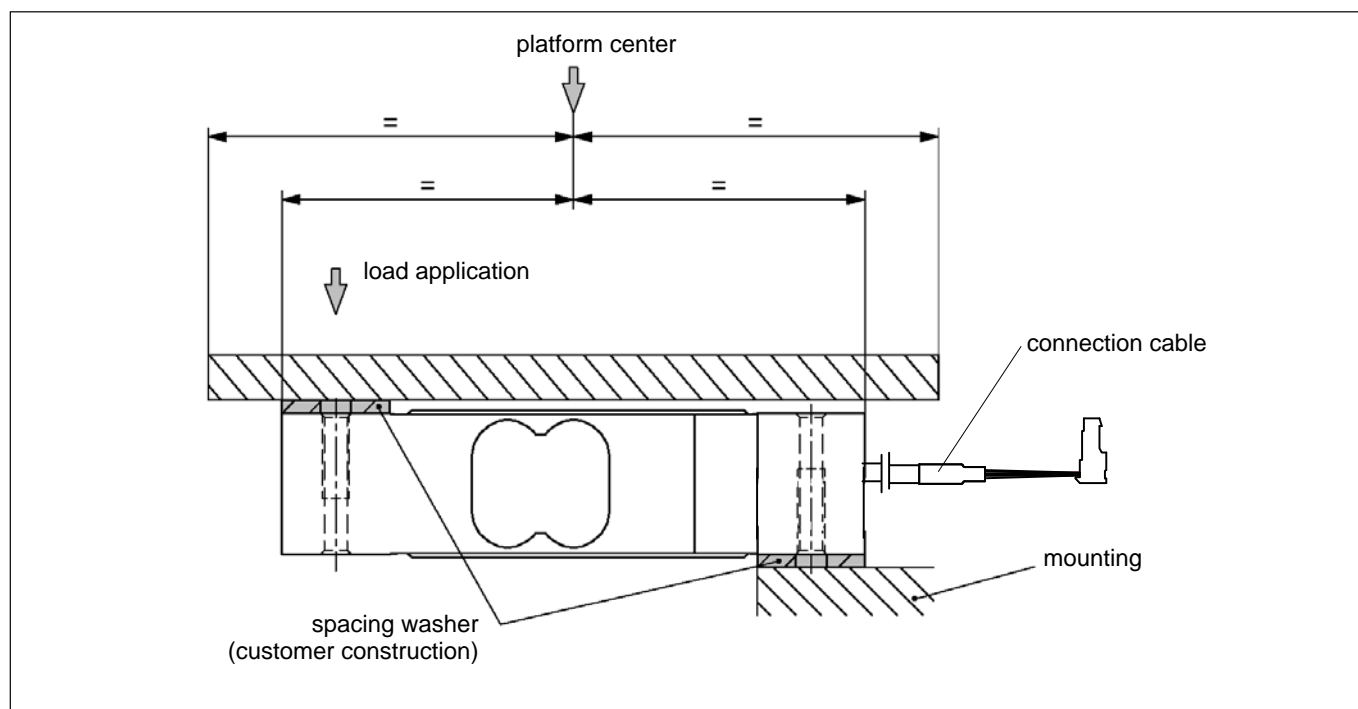


Cable protection (to be implemented by the customer)



Load application

Load must not be applied to the side where the cable connection is located, as this would cause a force shunt.



Ordering codes

PW15AH... (Stainless steel, hermetically sealed)

Type	PW15AH
Accuracy class	C3-MR (OIML) (Multi Range)
Comments	Cable length 3 m (6-wire)-
Capacity	Order number
10 kg	1-PW15AHC3/10KG-1
20 kg	1-PW15AHC3/20KG-1
50 kg	1-PW15AHC3/50KG-1
100 kg	1-PW15AHC3/100KG-1

PW15AH... (Stainless steel, hermetically sealed), optional versions

<i>Order no.</i>	
K-PW15AH	
<i>Code</i>	<i>Option 1: Mechanical version</i>
N	Standard
<i>Code</i>	<i>Option 2: Accuracy</i>
MR	C3-MR (OIML)
<i>Code</i>	<i>Option 3: Capacity</i>
10	10 kg
20	20 kg
50	50 kg
100	100 kg
<i>Code</i>	<i>Option 4: NN</i>
N	-
<i>Code</i>	<i>Option 5: Cable length</i>
3	3 m
6	6 m
<i>Code</i>	<i>Option 6: Miscellaneous</i>
N	without
A	2mV/V ±0.1% / 359 Ohm ±0.3 Ohm (aligned output, suitable for connection in parallel)

K-PW15AH - N - M R - - N - -

Subject to modifications.
All product descriptions are for general information
only. They are not to be understood as a guarantee
of quality or durability.

Hottinger Baldwin Messtechnik GmbH
Im Tiefen See 45 · 64293 Darmstadt · Germany
Tel. +49 6151 803-0 · Fax +49 6151 803-9100
Email: info@hbm.com · www.hbm.com

measure and predict with confidence

