

Operating Manual | Bedienungsanleitung |
Manuel d'emploi | Istruzioni per l'uso

English

Deutsch

Français

Italiano



FIT®5A



Hottinger Baldwin Messtechnik GmbH
Im Tiefen See 45
D-64239 Darmstadt
Tel. +49 6151 803-0
Fax +49 6151 803-9100
info@hbm.com
www.hbm.com

Mat.: 7-2004.3916
DVS: A3916-2.0 HBM: public
03.2018

© Hottinger Baldwin Messtechnik GmbH.

Subject to modifications.
All product descriptions are for general information only.
They are not to be understood as a guarantee of quality or
durability.

Änderungen vorbehalten.
Alle Angaben beschreiben unsere Produkte in allgemeiner
Form. Sie stellen keine Beschaffenheits- oder Haltbarkeits-
garantie dar.

Sous réserve de modifications.
Les caractéristiques indiquées ne décrivent nos produits
que sous une forme générale. Elles n'impliquent aucune
garantie de qualité ou de durabilité.

Con riserva di modifica.
Tutti i dati descrivono i nostri prodotti in forma generica e non
implicano alcuna garanzia di qualità o di durata dei prodotti
stessi.

Operating Manual | Bedienungsanleitung | Manuel d'emploi | Istruzioni per l'uso

English

Deutsch

Français

Italiano



FIT®5A



1	Safety instructions	3
2	Markings used	6
2.1	Symbols on the device	6
2.2	The marking used in this document	7
3	Conditions on site	8
3.1	Protection against corrosion	8
3.2	Deposits	8
4	Mechanical installation	9
4.1	Important precautions during installation	9
4.2	Mounting and load application	9
5	Electrical connection	11
6	Interfaces	13
6.1	Connection of several load cells to a PC via RS-485	13
6.2	Connection to a PC with an RS-232 interface via the HBM interface converter	14
6.3	Connection to a CANopen interface	14
6.4	Connection to a DeviceNet interface	14
6.5	Diagnostic interface connection	14
7	Inputs and outputs	16
7.1	Inputs	16
7.2	Outputs	16
8	Operation via software	20
9	Waste disposal and environmental protection	21
10	Specifications	22
11	Dimensions	23

1 Safety instructions

Appropriate use

Transducers of the FIT5A type series are designed solely for technical weighing applications within the application limits detailed in the specifications. Any other use is not appropriate.

Any person instructed to carry out installation, commissioning or operation of the transducer must have read and understood the Operating Manual and in particular the technical safety instructions.

In the interests of safety, the transducer should only be operated by qualified personnel and as described in the Operating Manual. It is also essential to comply with the legal and safety requirements for the application concerned during use. The same applies to the use of accessories.

The transducer is not intended for use as a safety component. Please also refer to the "Additional safety precautions" section. Proper and safe operation requires proper transportation, correct storage, siting and mounting, and careful operation.

Operating conditions

- Please observe the permissible maximum values stated in the specifications for:
 - Limit load
 - Limit load at max. eccentricity
 - Limit lateral loading
 - Breaking loads
 - Temperature limits
 - Limits of electrical load-carrying capacity
- Please note that when several transducers are installed in a scale, there is not always an even distribution of load on the individual transducers.
- The transducers can be used as machine elements. When used in this manner, it must be noted that, to favor greater sensitivity, the transducer is not designed with the safety factors usual in mechanical engineering.

- The transducer must not be modified from the design or safety engineering point of view except with our express agreement.
- The transducer is maintenance-free.
- In accordance with national and local environmental protection and material recovery and recycling regulations, old transducers that can no longer be used must be disposed of separately and not with normal household garbage, see Chapter 9, Page 21.

Qualified personnel

Qualified persons means persons entrusted with the installation, fitting, commissioning and operation of the product who possess the appropriate qualifications for their function.

This includes people who meet at least one of the three following requirements:

- Knowledge of the safety concepts of measurement and automation technology is a requirement and as project personnel, they must be familiar with these concepts.
- As measurement or automation plant operating personnel, they have been instructed how to handle the machinery. They are familiar with the operation of the equipment and technologies described in this documentation.
- As commissioning engineers or service engineers, they have successfully completed the training to qualify them to repair the automation systems. They are also authorized to activate, ground and label circuits and equipment in accordance with safety engineering standards.

Working safely

- The device must not be directly connected to the power supply system. The supply voltage must be between 10 and 30 V_{DC}.
- Error messages should only be acknowledged once the cause of the error is removed and no further danger exists.
- Maintenance and repair work on an open device with the power on may only be carried out by trained personnel who are aware of the dangers involved.

- Automation equipment and devices must be designed in such a way that adequate protection or locking against unintentional actuation is provided (e.g. access checks, password protection, etc.).
- For those devices operating in networks, safety precautions must be taken both in terms of hardware and software, so that a line break or other interruptions to signal transmission do not cause undefined states or loss of data in the automation device.
- After making settings and carrying out activities that are password-protected, ensure that any controls that may be connected remain in a safe condition until the switching performance of the device has been tested.

Additional safety precautions

Additional safety precautions to meet the requirements of the relevant national and local accident prevention regulations must be taken in plants where malfunctions could cause major damage, loss of data or even personal injury.

The scope of supply and performance of the transducer covers only a small area of measurement technology. Before starting up the transducer in a system, a project planning and risk analysis must first be implemented, taking into account all the safety aspects of measurement and automation technology so that residual dangers are minimized. This particularly concerns personal and machine protection. The transducers function passively and cannot implement any (safety-relevant) cutoffs. In the event of a fault, the relevant precautions must establish safe operating conditions.

General dangers of failing to follow the safety instructions

The transducer corresponds to the state of the art, and is reliable. The transducer may give rise to residual dangers if it is inappropriately installed or operated.

2 Markings used

2.1 Symbols on the device

Statutory waste disposal mark



In accordance with national and local environmental protection and material recovery and recycling regulations, old devices that can no longer be used must be disposed of separately and not with normal household garbage. Also see Section 9 on Page 21.



CE mark



The CE mark enables the manufacturer to guarantee that the product complies with the requirements of the relevant EC directives (the Declaration of Conformity can be found on the HBM website (www.hbm.com) under HBM-doc).

2.2 The marking used in this document

Important instructions for your safety are specifically identified. It is essential to follow these instructions in order to prevent accidents and damage to property.

Symbol	Significance
 WARNING	This marking warns of a <i>potentially</i> dangerous situation in which failure to comply with safety requirements <i>can</i> result in death or serious physical injury.
Note	This marking draws your attention to a situation in which failure to comply with safety requirements <i>can</i> lead to damage to property.
 Important	This marking draws your attention to <i>important</i> information about the product or about handling the product.
<i>Emphasis</i> <i>See ...</i>	Italics are used to emphasize and highlight text and identify references to sections, diagrams, or external documents and files.

3 Conditions on site

Series FIT5A load cells are hermetically encapsulated and are therefore not at all sensitive to the influence of moisture and humidity. The transducers achieve protection class IP68 and IP69K in accordance with DIN EN 60529. The load cells should nevertheless be protected against the lasting influence of moisture and humidity.

3.1 Protection against corrosion

The load cell must be protected against chemicals that could attack the transducer body steel, or the cable.

Notice

Acids and all substances that release ions also attack stainless steels and their welded seams.

The resultant corrosion can cause the transducer to fail. If this is the case, you must provide appropriate means of protection.

3.2 Deposits

Dust, dirt and other foreign matter must not be allowed to accumulate sufficiently to divert some of the measuring force onto the housing, thus invalidating the measured value (force shunt).

4 Mechanical installation

4.1 Important precautions during installation

- Handle the transducer with care.
- Welding currents must not be allowed to flow over the transducer. If there is a risk that this might happen, you must provide a suitable low-ohm connection to electrically bypass the transducer. HBM provides the highly flexible EEK ground cable for this purpose, for example, that is screwed on above and below the transducer.
- Make sure that the transducer cannot be overloaded.



WARNING

There is a danger of the transducer breaking if it is overloaded. This can cause danger for the operating personnel of the system in which the transducer is installed.

Implement appropriate safety measures to avoid overloads or to protect against the resulting dangers.

Notice

Load cells are precision measuring elements and need to be handled carefully. Dropping or knocking the transducer may cause permanent damage. Make sure that the transducer cannot be overloaded, including while it is being mounted.

4.2 Mounting and load application

Secure the load cells in the two mounting holes next to the connector socket(s) (one or two sockets are present, depending on the version). A platform for load

application can be mounted on top. The screws and tightening torques to be used are given in the table below:

Mounting	Thread	Min. property class	Tightening torque ¹⁾
On mounting plate	M6	10.9	10 N·m
For load application	M6	10.9	10 N·m

1) Recommended value for the specified property class. Please comply with the screw manufacturer's instructions with regard to screw dimensions.

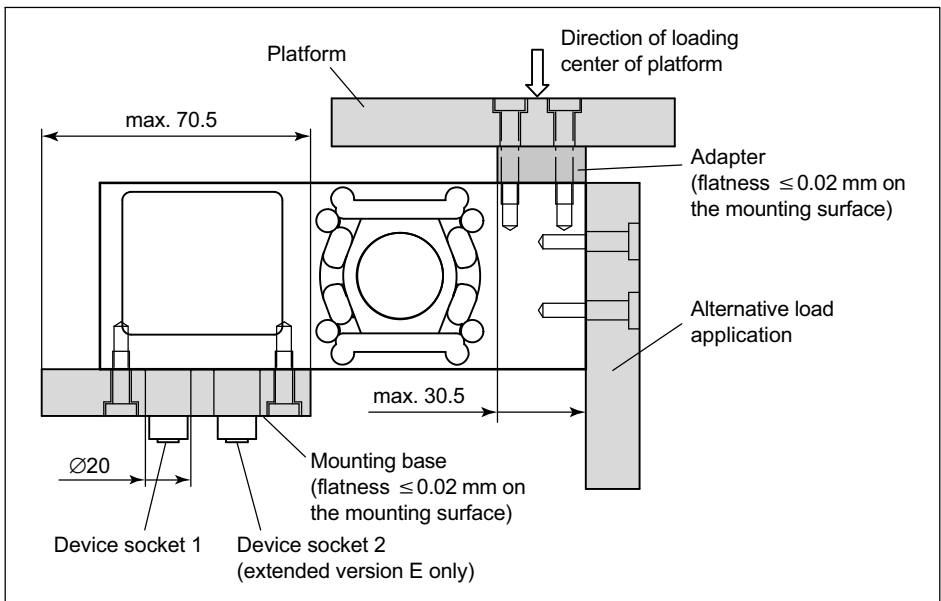


Fig. 4.1 Load application and installation



Important

The surface flatness of the components mounted on the load cell must be better than 0.02 mm.

5 Electrical connection

Notice

Electronic components are sensitive to electrostatic discharge (ESD). So you must discharge your own static electricity before touching the connector plugs.

The standard version of the load cell comes with an 8-pin device socket. The extended version E has a second 8-pin device socket.

Device sockets 1 and 2

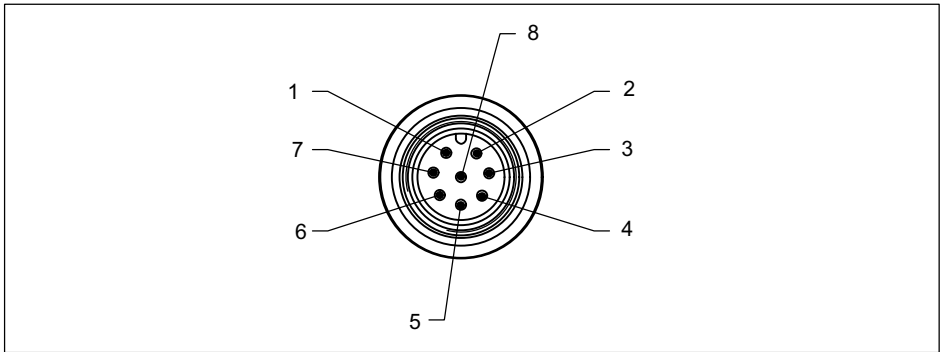


Fig. 5.1 M12 device socket, 8-pin

Connection	Device socket 1	
	RS-485	CANopen/DeviceNet
1	GND ¹⁾	GND
2	Diag RbTb or not used ²⁾	Diag RbTb or not used ²⁾
3	RA	CAN-High IN
4	Diag RaTa or trigger ²⁾	Diag RaTa or trigger ²⁾
5	RB	CAN-Low IN
6	TB	CAN-Low OUT
7	TA	CAN-High OUT
8	U _{B1}	U _{B1}

- 1) In extended version E, you must connect GND (pin 1) of device socket 1 to GND of the voltage supply of the second device socket (inputs/outputs). See Section 7, Page 16.
- 2) The standard version S does not have a diagnostic channel. Pin 4 is then the trigger input, pin 2 must not be connected.

Connection	Device socket 2 (extended version E) ¹⁾
1	-
2	IN2
3	OUT2
4	IN1
5	OUT4
6	OUT3
7	OUT1
8	U _{B2} ¹⁾

- 1) The signals apply to GND of socket 1. You must connect the GND wire of the voltage supply of device socket 2 to pin 1 (GND) of device socket 1, as device socket 2 does not have a connection for this. See Section 7, Page 16.

Suitable connection cables and the color code used can be found in the HBM data sheet "Cables with a plug", B3643.

6 Interfaces

The load cell can be provided with an RS-485 interface, a CANopen interface, or a DeviceNet interface, as required. The reference potential of all the interface signals is GND (supply ground) of device socket 1.

6.1 Connection of several load cells to a PC via RS-485

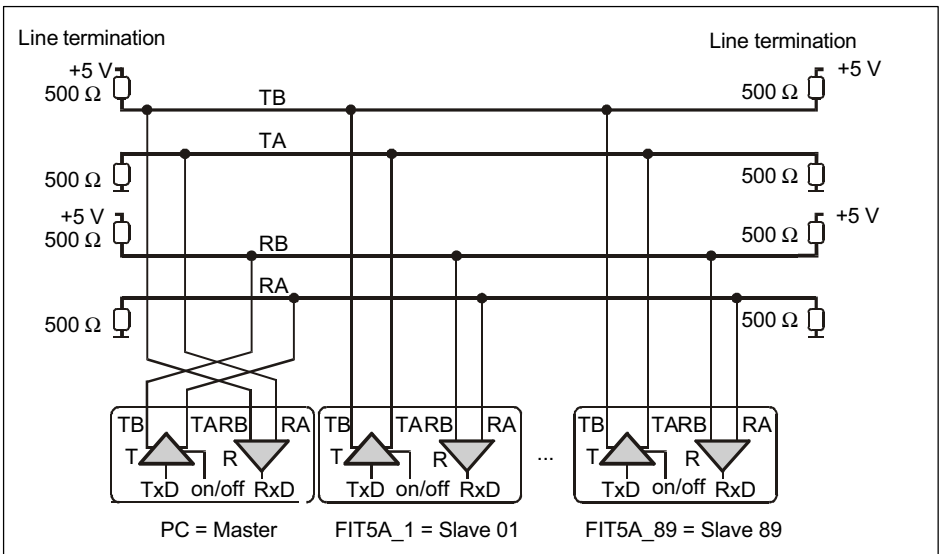


Fig. 6.1 Bus connection via RS-485

Up to 89 load cells can be connected via the RS-485 interface to a common bus line, the total length of which can be as much as 1000 m. Bus cabling for 4-wire-mode is shown in Fig. 6.1.

Remember that many PCs do not have an RS-485 interface. In this case, you need an interface converter, such as the HBM converter (see Section 6.2).

6.2 Connection to a PC with an RS-232 interface via the HBM interface converter

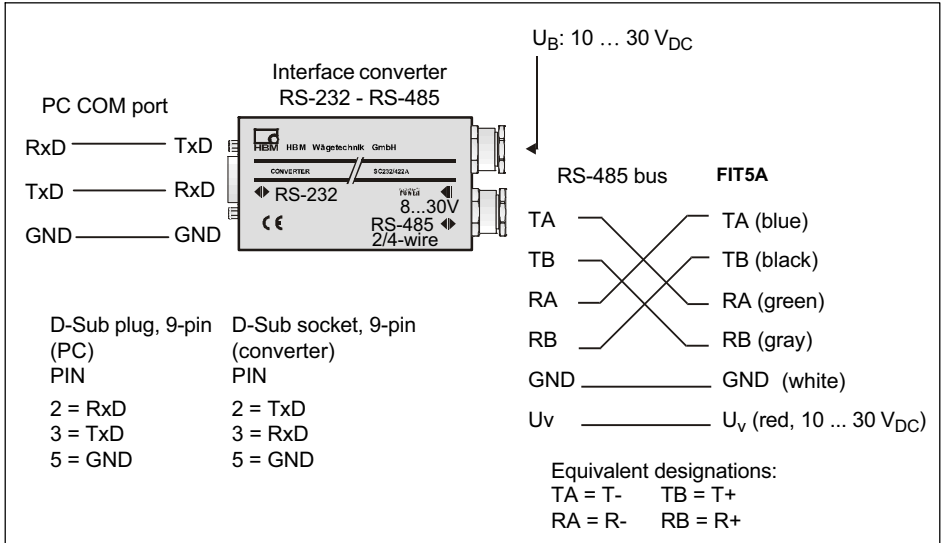


Fig. 6.2 Connection to a PC via the HBM interface converter

6.3 Connection to a CANopen interface

The interface is set up using the CANopen standard DS301. The load cell address on delivery is 63.

6.4 Connection to a DeviceNet interface

The interface is set up using the DeviceNet specification, Release 2.0 ODVA. The load cell address on delivery is 63.

6.5 Diagnostic interface connection

The real time values stored with the diagnostic function can be read out via this interface. The load cell address on delivery is 31, the baud rate is fixed at 38600 Bd.

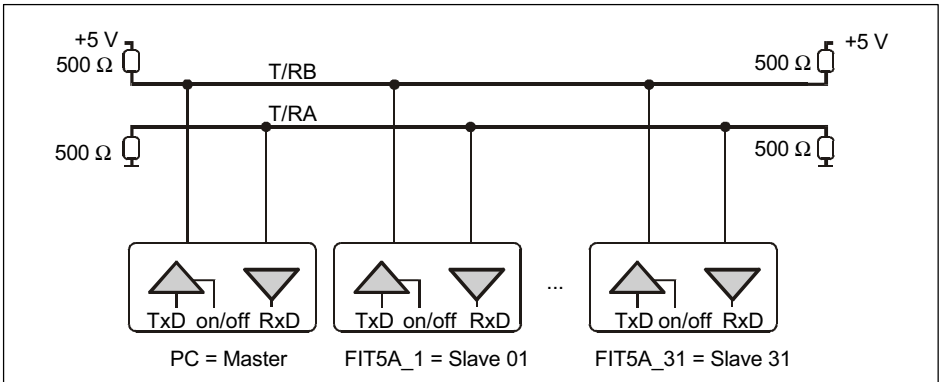


Fig. 6.3 Connecting the diagnostic interface

7 Inputs and outputs

7.1 Inputs

Apply the control signals between the particular input and reference potential (GND). In the standard version, the trigger input can be directly activated with a logic signal (HCMOS), although voltages up to 12 V are also possible. The inputs of device socket 2 are suitable for the signals of a PLC. The reference potential in both cases is GND of device socket 1. The table below shows the allocation of logic states to the voltage values at the input. Levels between the stated high and low levels produce undefined states!

	Trigger input	Inputs IN1, IN2
Reference potential	GND	GND
High level	>4 V	>10 V
Low level	<1 V	<6 V
Input resistance	70 k Ω	9 k Ω

Function	External trigger	TAR, Break, RUN functions
Quiescent level	High or low level ¹	Low level
Triggering event	Transition from high to low level	High level, debounced ²

1) Stable level at trigger input used. The other wire must be at low level or not connected.

2) Debouncing is dependent on the function set (IMD command), but not on the input used (device socket 1 or 2).

7.2 Outputs

The output driver of the switch outputs is a PLC compatible static switch (High-Side driver). Power for switching must be supplied via external operating voltage U_{B2} . All the voltages apply to GND at device socket 1.

When an output is activated, a positive level is given on the corresponding output line, voltage is dependent on U_{B2} . The connected consumer is between the output and the GND potential of the switching load supply:



Important

No GND potential is present at device socket 2, so you must connect the reference potential (GND) of the load circuits with GND at device socket 1.

There are two distinctive cases when connecting GND potential:

1. The arrangement of the function blocks, i.e. the digital part for the switch outputs and the part for supplying with operating voltage and the interface, is physically separate (Fig. 7.1).
2. Both function blocks are inside a control cabinet (Fig. 7.2).

In the first case, make sure that the shields of both leads, as well as the GND potential, are each connected with a wire with a minimum cross-section of 1.5 mm^2 . Both multipole and individual leads are suitable for this. However, the individual leads must not take different routes, they must be close together. The total length of a conductor must not exceed 10 m (Fig. 7.1).

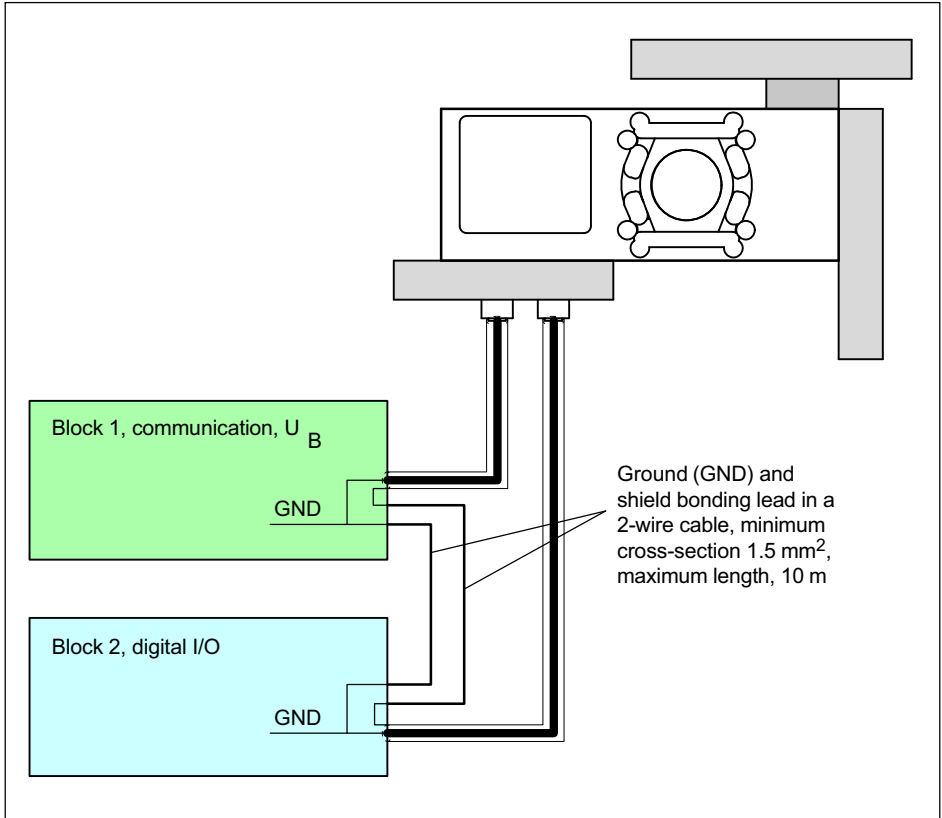


Fig. 7.1 Connecting GND potentials in separate function blocks

When mounting all the function blocks inside a control cabinet, (Fig. 7.2 on Page 19), make sure that the GND potentials of both blocks are connected.

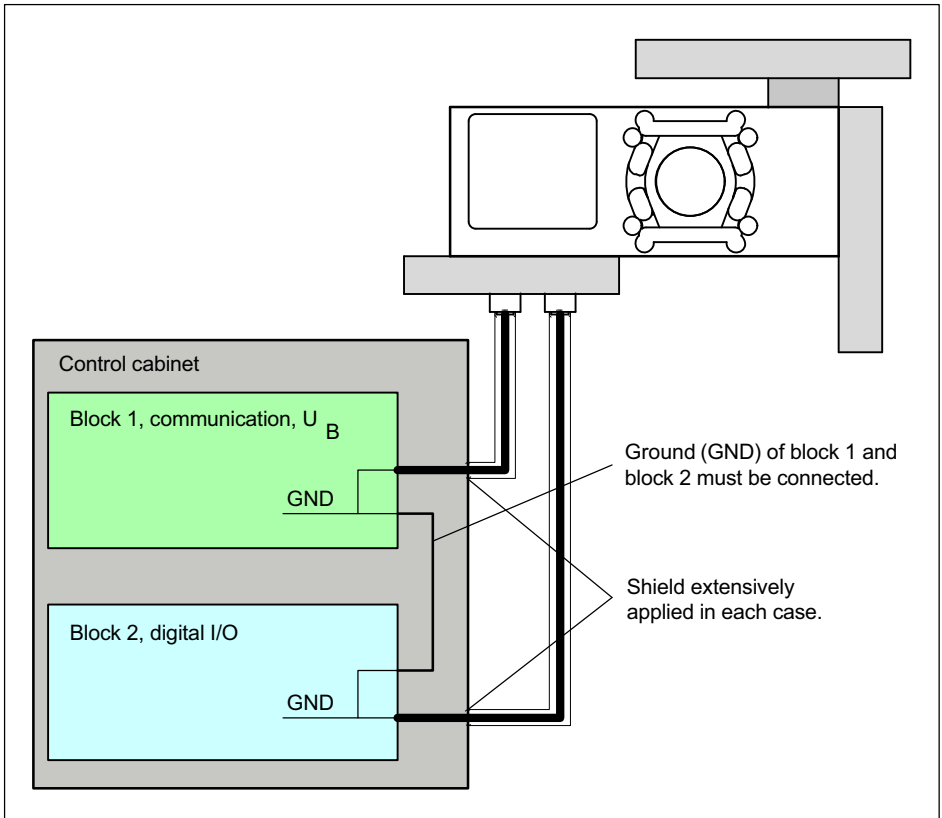


Fig. 7.2 Connecting GND potentials for a mounting inside a control cabinet

8 Operation via software

Software for parameterization and visualization can be downloaded from the HBM Website, if required: www.hbm.com/support ("FIT digital load cells & AED weighing electronics" area).

9 Waste disposal and environmental protection

All electrical and electronic products must be disposed of as hazardous waste. The correct disposal of old equipment prevents ecological damage and health hazards.



The electrical and electronic devices that bear this symbol are subject to European waste electrical and electronic equipment directive 2002/96/EC. The symbol indicates that, in accordance with national and local environmental protection and material recovery and recycling regulations, old devices that can no longer be used must be disposed of separately and not with normal household garbage.

As waste disposal regulations may differ from country to country, we ask that you contact your supplier to determine what type of disposal or recycling is legally applicable in your country.

Packaging

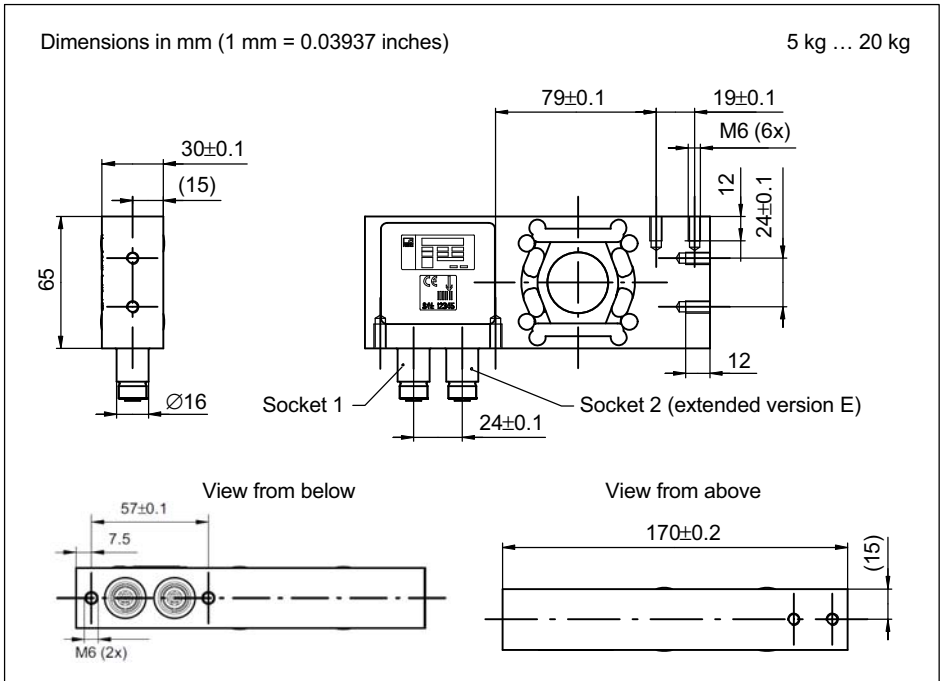
The original HBM packaging is made from recyclable material and can be sent for recycling. Store the packaging for at least the duration of the warranty.

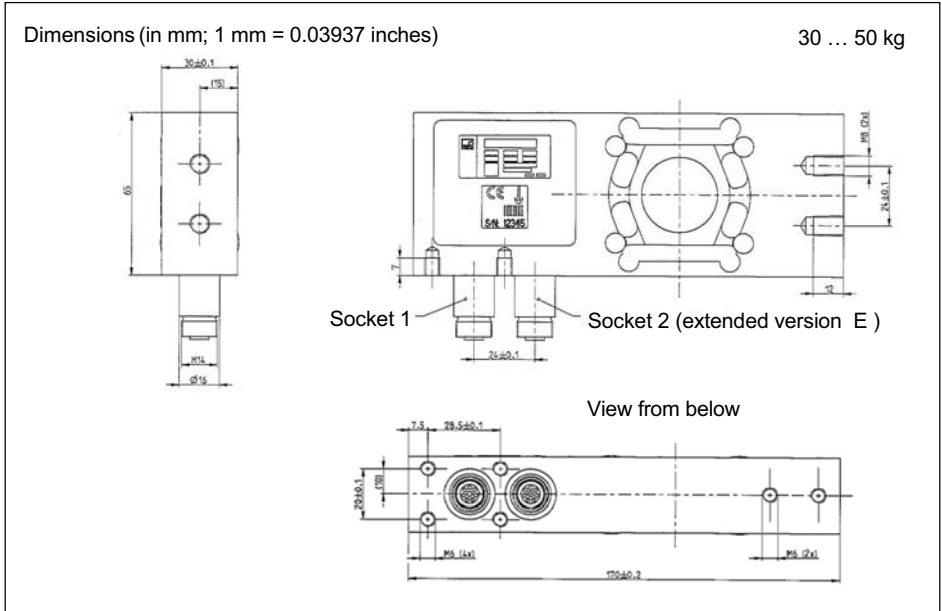
For ecological reasons, empty packaging should not be returned to us.

10 Specifications

The latest data sheet can be found on the HBM Website at: www.hbm.com/HBMdoc.

11 Dimensions





1	Sicherheitshinweise	3
2	Verwendete Kennzeichnungen	6
2.1	Auf dem Gerät angebrachte Symbole	6
2.2	In dieser Anleitung verwendete Kennzeichnungen	7
3	Bedingungen am Einbauort	8
3.1	Korrosionsschutz	8
3.2	Ablagerungen	8
4	Mechanischer Einbau	9
4.1	Wichtige Vorkehrungen beim Einbau	9
4.2	Montage und Lasteinleitung	9
5	Elektrischer Anschluss	11
6	Schnittstellen	13
6.1	Anschluss mehrerer Wägezellen an einen PC über RS-485	13
6.2	Anschluss an einen PC mit RS-232-Schnittstelle über den HBM-Schnittstellenkonverter	14
6.3	Anschluss an CANopen-Schnittstelle	14
6.4	Anschluss an DeviceNet-Schnittstelle	14
6.5	Anschluss der Diagnoseschnittstelle	14
7	Ein- und Ausgänge	16
7.1	Eingänge	16
7.2	Ausgänge	16
8	Bedienung über Software	20
9	Entsorgung und Umweltschutz	21
10	Technische Daten	22
11	Abmessungen	23

1 Sicherheitshinweise

Bestimmungsgemäße Verwendung

Die Aufnehmer der Typenreihe FIT5A dürfen ausschließlich für wägetechnische Anwendungen im Rahmen der durch die technischen Daten spezifizierten Einsatzgrenzen verwendet werden. Jeder andere Gebrauch ist nicht bestimmungsgemäß.

Jede Person, die mit Aufstellung, Inbetriebnahme oder Betrieb des Aufnehmers beauftragt ist, muss die Bedienungsanleitung und insbesondere die sicherheitstechnischen Hinweise gelesen und verstanden haben.

Zur Gewährleistung eines sicheren Betriebes darf der Aufnehmer nur von qualifiziertem Personal und nach den Angaben in der Bedienungsanleitung betrieben werden. Bei der Verwendung sind zusätzlich die für den jeweiligen Anwendungsfall erforderlichen Rechts- und Sicherheitsvorschriften zu beachten. Sinngemäß gilt dies auch bei der Verwendung von Zubehör.

Der Aufnehmer ist nicht zum Einsatz als Sicherheitskomponente bestimmt. Bitte beachten Sie hierzu den Abschnitt „Zusätzliche Sicherheitsvorkehrungen“. Der einwandfreie und sichere Betrieb setzt sachgemäßen Transport, fachgerechte Lagerung, Aufstellung und Montage sowie sorgfältige Bedienung voraus.

Betriebsbedingungen

- Beachten Sie insbesondere die in den technischen Daten angegebenen maximal zulässigen Werte für:
 - Grenzlast
 - Grenzlast bei max. Exzentrizität
 - Grenzquerbelastung
 - Bruchlasten
 - Temperaturgrenzen
 - Grenzen der elektrischen Belastbarkeit
- Beachten Sie, dass beim Einbau mehrerer Aufnehmer in eine Waage die Lastverteilung auf die einzelnen Aufnehmer nicht immer gleichmäßig ist.

- Die Aufnehmer können als Maschinenelemente eingesetzt werden. Beachten Sie bei dieser Verwendung, dass die Aufnehmer zu Gunsten einer hohen Messempfindlichkeit nicht mit den im Maschinenbau üblichen Sicherheitsfaktoren konstruiert wurden.
- Der Aufnehmer darf ohne unsere ausdrückliche Zustimmung weder konstruktiv noch sicherheitstechnisch verändert werden.
- Der Aufnehmer ist wartungsfrei.
- Nicht mehr gebrauchsfähige Aufnehmer sind gemäß den nationalen und örtlichen Vorschriften für Umweltschutz und Rohstoffrückgewinnung getrennt von regulärem Hausmüll zu entsorgen, siehe Kapitel 9, Seite 21.

Qualifiziertes Personal

Qualifizierte Personen sind Personen, die mit Aufstellung, Montage, Inbetriebsetzung und Betrieb des Produktes vertraut sind und über die ihrer Tätigkeit entsprechende Qualifikationen verfügen.

Dazu zählen Personen, die mindestens eine der drei folgenden Voraussetzungen erfüllen:

- Ihnen sind die Sicherheitskonzepte der Mess- und Automatisierungstechnik bekannt und sie sind als Projektpersonal damit vertraut.
- Sie sind Bedienpersonal der Mess- oder Automatisierungsanlagen und sind im Umgang mit den Anlagen unterwiesen. Sie sind mit der Bedienung der in dieser Dokumentation beschriebenen Geräte und Technologien vertraut.
- Sie sind Inbetriebnehmer oder für den Service eingesetzt und haben eine Ausbildung absolviert, die sie zur Reparatur der Automatisierungsanlagen befähigt. Außerdem haben sie die Berechtigung, Stromkreise und Geräte gemäß den Normen der Sicherheitstechnik in Betrieb zu nehmen, zu erden und zu kennzeichnen.

Sicherheitsbewußtes Arbeiten

- Das Gerät darf nicht unmittelbar an das Stromversorgungsnetz angeschlossen werden. Die Versorgungsspannung darf 10 bis 30 V_{DC} betragen.
- Fehlermeldungen dürfen nur quittiert werden, wenn die Ursache des Fehlers beseitigt ist und keine Gefahr mehr existiert.

- Wartungs- und Reparaturarbeiten am geöffneten Gerät unter Spannung dürfen nur von einer ausgebildeten Person durchgeführt werden, die sich der vorliegenden Gefahr bewusst ist.
- Geräte und Einrichtungen der Automatisierungstechnik müssen so verbaut werden, dass sie gegen unbeabsichtigte Betätigung ausreichend geschützt bzw. verriegelt sind (z. B. Zugangskontrolle, Passwortschutz o. Ä.).
- Bei Geräten, die in Netzwerken arbeiten, müssen hard- und softwareseitig Sicherheitsvorkehrungen getroffen werden, damit ein Leitungsbruch oder andere Unterbrechungen der Signalübertragung nicht zu undefinierten Zuständen oder Datenverlust in der Automatisierungseinrichtung führen.
- Stellen Sie nach Einstellungen und Tätigkeiten, die mit Passwörtern geschützt sind, sicher, dass evtl. angeschlossene Steuerungen in einem sicheren Zustand verbleiben, bis das Schaltverhalten des Gerätes geprüft ist.

Zusätzliche Sicherheitsvorkehrungen

Bei Anlagen, die aufgrund einer Fehlfunktion größere Schäden, Datenverlust oder sogar Personenschäden verursachen können, müssen zusätzliche Sicherheitsvorkehrungen getroffen werden, die den Anforderungen der entsprechenden nationalen und örtlichen Unfallverhütungsvorschriften genügen.

Der Leistungs- und Lieferumfang des Aufnehmers deckt nur einen Teilbereich der Messtechnik ab. Vor der Inbetriebnahme des Aufnehmers in einer Anlage ist daher eine Projektierung und Risikoanalyse vorzunehmen, die alle Sicherheitsaspekte der Mess- und Automatisierungstechnik berücksichtigt, so dass Restgefahren minimiert werden. Insbesondere betrifft dies den Personen- und Anlagenschutz. Die Aufnehmer arbeiten passiv und können keine (sicherheitsrelevanten) Abschaltungen vornehmen. Im Fehlerfall müssen entsprechende Vorkehrungen einen sicheren Betriebszustand herstellen.

Allgemeine Gefahren bei Nichtbeachten der Sicherheitshinweise

Der Aufnehmer entspricht dem Stand der Technik und ist betriebssicher. Von dem Aufnehmer können Restgefahren ausgehen, wenn er unsachgemäß eingesetzt oder bedient wird.

2 Verwendete Kennzeichnungen

2.1 Auf dem Gerät angebrachte Symbole

Gesetzlich vorgeschriebene Kennzeichnung zur Entsorgung



Nicht mehr gebrauchsfähige Altgeräte sind gemäß den nationalen und örtlichen Vorschriften für Umweltschutz und Rohstoffrückgewinnung getrennt von regulärem Hausmüll zu entsorgen. Siehe auch Abschnitt 9 auf Seite 21.



CE-Kennzeichnung



Mit der CE-Kennzeichnung garantiert der Hersteller, dass sein Produkt den Anforderungen der relevanten EG-Richtlinien entspricht (die Konformitätserklärung finden Sie auf der Website von HBM (www.hbm.com) unter HBMdoc).

2.2 In dieser Anleitung verwendete Kennzeichnungen

Wichtige Hinweise für Ihre Sicherheit sind besonders gekennzeichnet. Beachten Sie diese Hinweise unbedingt, um Unfälle und Sachschäden zu vermeiden.

Symbol	Bedeutung
 WARNUNG	Diese Kennzeichnung weist auf eine <i>mögliche</i> gefährliche Situation hin, die – wenn die Sicherheitsbestimmungen nicht beachtet werden – Tod oder schwere Körperverletzung zur Folge <i>haben kann</i> .
Hinweis	Diese Kennzeichnung weist auf eine Situation hin, die – wenn die Sicherheitsbestimmungen nicht beachtet werden – Sachschäden zur Folge <i>haben kann</i> .
 Wichtig	Diese Kennzeichnung weist auf <i>wichtige</i> Informationen zum Produkt oder zur Handhabung des Produktes hin.
<i>Hervorhebung</i> <i>Siehe ...</i>	Kursive Schrift kennzeichnet Hervorhebungen im Text und kennzeichnet Verweise auf Kapitel, Bilder oder externe Dokumente und Dateien.

3 Bedingungen am Einbauort

Die Wägezellen der Serie FIT5A sind hermetisch gekapselt und deshalb sehr unempfindlich gegen Feuchteinwirkung. Die Aufnehmer erreichen die Schutzklasse IP68 und IP69K nach DIN EN 60529. Trotzdem sollten die Wägezellen gegen dauerhafte Feuchteinwirkung geschützt werden.

3.1 Korrosionsschutz

Die Wägezelle muss gegen Chemikalien geschützt werden, die den Stahl des Aufnehmerkörpers oder das Kabel angreifen.

Hinweis

Säuren und alle Stoffe, die Ionen freisetzen, greifen auch nichtrostende Stähle und deren Schweißnähte an.

Die dadurch auftretende Korrosion kann zum Ausfall des Aufnehmers führen. Sehen Sie in diesem Fall entsprechende Schutzmaßnahmen vor.

3.2 Ablagerungen

Staub, Schmutz und andere Fremdkörper dürfen sich nicht so ansammeln, dass sie einen Teil der Messkraft auf das Gehäuse umleiten und dadurch den Messwert verfälschen (Kraftnebenschluss).

4 Mechanischer Einbau

4.1 Wichtige Vorkehrungen beim Einbau

- Behandeln Sie den Aufnehmer schonend.
- Es dürfen keine Schweißströme über den Aufnehmer fließen. Sollte diese Gefahr bestehen, so müssen Sie den Aufnehmer mit einer geeigneten niederohmigen Verbindung elektrisch überbrücken. Hierzu bietet z. B. HBM das hochflexible Erdungskabel EEK an, das oberhalb und unterhalb des Aufnehmers angeschraubt wird.
- Stellen Sie sicher, dass der Aufnehmer nicht überlastet werden kann.



WARNUNG

Bei einer Überlastung des Aufnehmers besteht die Gefahr, dass der Aufnehmer bricht. Dadurch können Gefahren für das Bedienpersonal der Anlage auftreten, in die der Aufnehmer eingebaut ist.

Treffen Sie geeignete Sicherungsmaßnahmen zur Vermeidung einer Überlastung oder zur Sicherung gegen sich daraus ergebende Gefahren.

Hinweis

Wägezellen sind Präzisions-Messelemente und verlangen daher eine umsichtige Handhabung. Stöße oder Stürze können zu permanenten Schäden am Aufnehmer führen. Sorgen Sie dafür, dass auch bei der Montage keine Überlastung des Aufnehmers auftreten kann.

4.2 Montage und Lasteinleitung

Befestigen Sie die Wägezellen an den zwei Montagebohrungen neben der oder den Anschlussbuchsen (je nach Ausführung sind ein oder zwei Buchsen vorhanden). Eine Plattform zur Lasteinleitung kann auf der Oberseite montiert

werden. Die folgende Tabelle enthält die zu verwendenden Schrauben und Anzugsmomente:

Befestigung	Gewinde	Min. Festigkeitsklasse	Anzugsmoment ¹⁾
An Montageplatte	M6	10.9	10 N·m
Für Lasteinleitung	M6	10.9	10 N·m

1) Richtwert für die angegebene Festigkeitsklasse. Zur Auslegung von Schrauben beachten Sie bitte entsprechende Informationen der Schraubenhersteller.

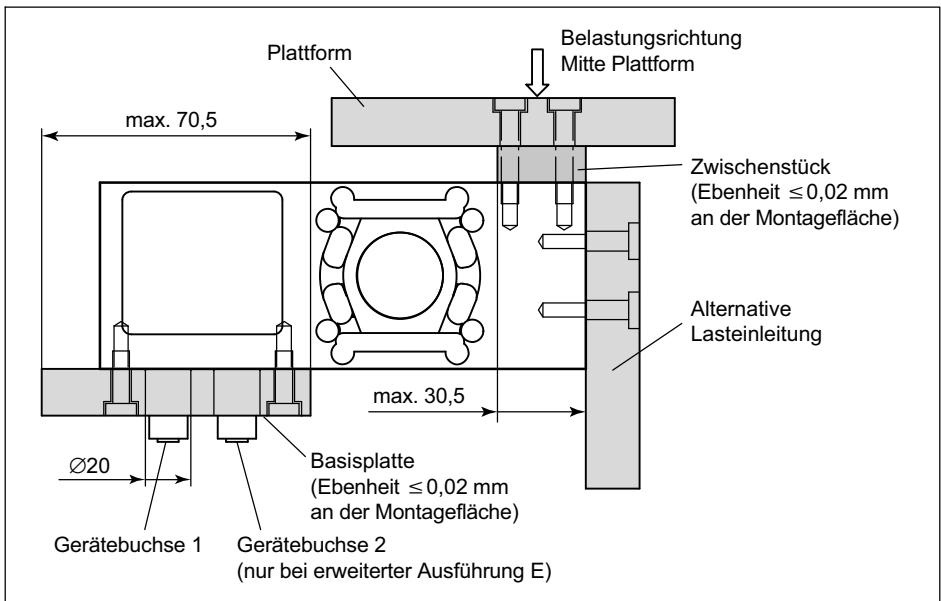


Abb. 4.1 Lasteinleitung und Einbau



Wichtig

Die Oberflächen der Bauteile, die an der Wägezelle montiert werden, müssen eine Ebenheit von besser als 0,02 mm aufweisen.

5 Elektrischer Anschluss

Hinweis

Elektronische Bauteile sind empfindlich gegen elektrostatische Aufladung (ESD, Electro-Static Discharge). Leiten Sie daher statische Aufladungen von sich ab, bevor Sie die Anschlussstecker berühren.

Die Wägezelle wird in der Standardversion mit einer 8-poligen Gerätebuchse ausgeliefert. Die erweiterte Ausführung E verfügt über eine zweite 8-polige Gerätebuchse.

Gerätebuchsen 1 und 2

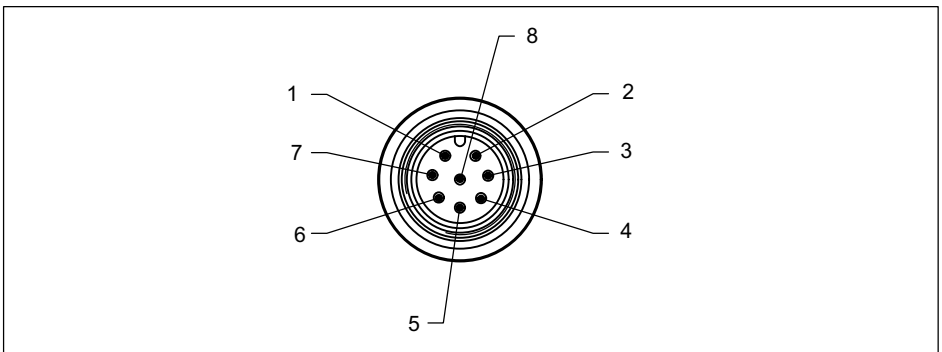


Abb. 5.1 Gerätebuchse M12, 8-polig

Anschluss	Gerätebuchse 1	
	RS-485	CANopen/DeviceNet
1	GND ¹⁾	GND
2	Diag RbTb oder nicht belegt ²⁾	Diag RbTb oder nicht belegt ²⁾
3	RA	CAN-High IN
4	Diag RaTa oder Trigger ²⁾	Diag RaTa oder Trigger ²⁾
5	RB	CAN-Low IN
6	TB	CAN-Low OUT
7	TA	CAN-High OUT
8	U _{B1}	U _{B1}

- 1) Bei der erweiterten Ausführung E müssen Sie GND (Pin 1) der Gerätebuchse 1 mit GND der Spannungsversorgung der zweiten Gerätebuchse (Ein-/Ausgänge) verbinden. Siehe Abschnitt 7, Seite 16.
- 2) In der Standardausführung S ist kein Diagnosekanal verfügbar. Pin 4 ist dann der Triggereingang, Pin2 darf nicht beschaltet werden.

Anschluss	Gerätebuchse 2 (erweiterte Ausführung E) ¹⁾
1	-
2	IN2
3	OUT2
4	IN1
5	OUT4
6	OUT3
7	OUT1
8	U _{B2} ¹⁾

- 1) Die Signale beziehen sich auf GND von Buchse 1. Die GND-Leitung der Spannungsversorgung von Gerätebuchse 2 müssen Sie mit Pin 1 (GND) der Gerätebuchse 1 verbinden, da die Gerätebuchse 2 keinen Anschluss dafür aufweist. Siehe Abschnitt 7, Seite 16.

Geeignete Anschlusskabel sowie die verwendeten Aderfarben finden Sie im Datenblatt „Kabel mit Stecker“, B3643, von HBM.

6 Schnittstellen

Die Wägezelle wird wahlweise mit einer RS-485, einer CANopen- oder einer DeviceNet-Schnittstelle geliefert. Das Bezugspotenzial aller Schnittstellensignale ist GND (Versorgungsmasse) von Gerätebuchse 1.

6.1 Anschluss mehrerer Wägezellen an einen PC über RS-485

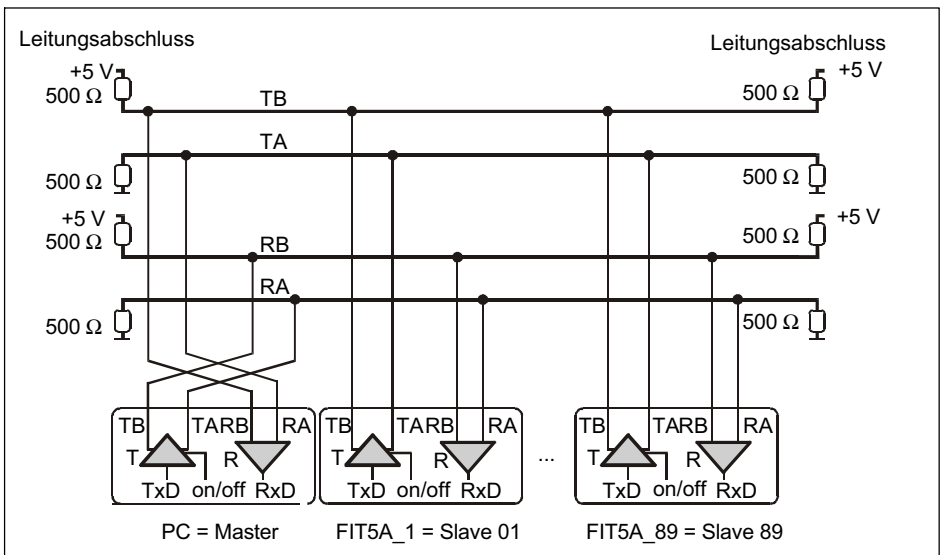


Abb. 6.1 Busanschluss über RS-485

Über die Schnittstelle RS-485 können bis zu 89 Wägezellen an eine gemeinsame Busleitung angeschlossen werden, die bis zu 1000 m Gesamtlänge erreichen darf. Das Prinzip der Busverkabelung für den 4-Draht-Betrieb zeigt Abb. 6.1.

Beachten Sie, dass viele PCs nicht über eine RS-485-Schnittstelle verfügen. In diesem Fall ist ein Schnittstellenkonverter nötig, z. B. der HBM-Konverter (siehe Abschnitt 6.2).

6.2 Anschluss an einen PC mit RS-232-Schnittstelle über den HBM-Schnittstellenkonverter

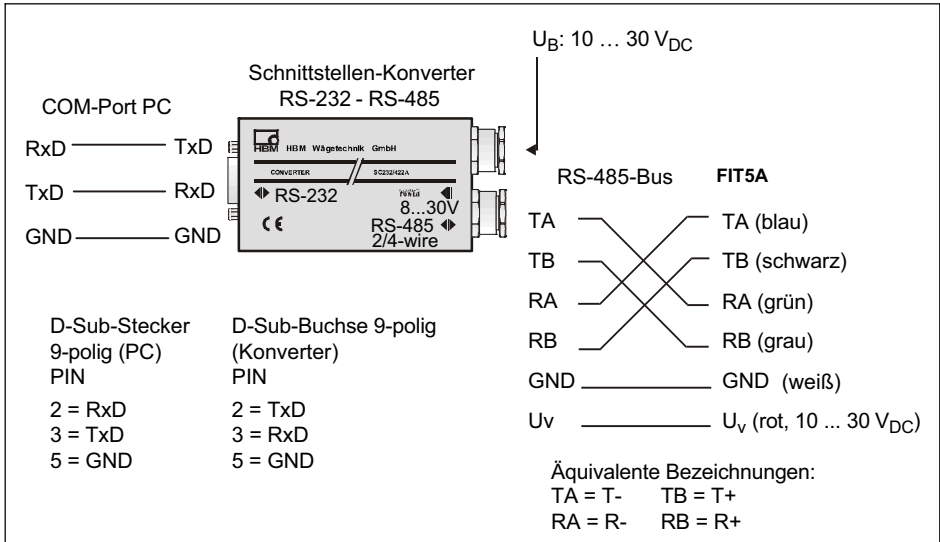


Abb. 6.2 Anschluss an einen PC über den Schnittstellenkonverter von HBM

6.3 Anschluss an CANopen-Schnittstelle

Die Schnittstelle ist nach CANopen-Standard DS301 ausgeführt. Die Adresse der Wägezelle bei Auslieferung ist 63.

6.4 Anschluss an DeviceNet-Schnittstelle

Die Schnittstelle ist nach DeviceNet-Spezifikation, Release 2.0 ODVA, ausgeführt. Die Adresse der Wägezelle bei Auslieferung ist 63.

6.5 Anschluss der Diagnoseschnittstelle

Über diese Schnittstelle können die mit der Diagnosefunktion gespeicherten Echtzeitwerte ausgelesen werden. Die Adresse der Wägezelle bei Auslieferung ist 31, die Baudrate ist fest auf 38600 Bd eingestellt.

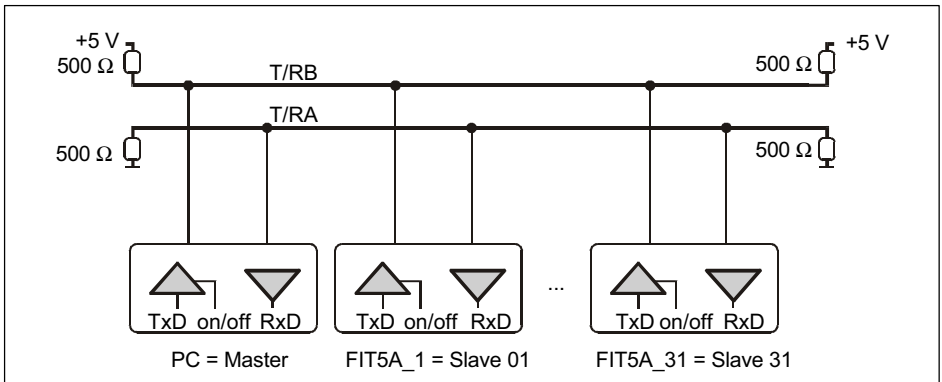


Abb. 6.3 Diagnose-Schnittstelle anschließen

7 Ein- und Ausgänge

7.1 Eingänge

Legen Sie die Steuersignale zwischen dem jeweiligen Eingang und dem Bezugspotenzial (GND) an. Der Trigger-Eingang kann in der Standardausführung direkt mit einem Logiksignal (HCMOS) angesteuert werden, möglich sind aber auch Spannungen bis 12 V. Die Eingänge der Gerätebuchse 2 sind für die Signale einer SPS geeignet. Bezugspotenzial ist in beiden Fällen GND von Gerätebuchse 1. Die folgende Tabelle zeigt die Zuordnung der logischen Zustände zu den Spannungswerten am Eingang. Pegel zwischen den angegebenen Hoch- und Tief-Pegeln führen zu undefinierten Zuständen!

	Triggereingang	Eingänge IN1, IN2
Bezugspotenzial	GND	GND
Hoch-Pegel	>4 V	>10 V
Tief-Pegel	<1 V	<6 V
Eingangswiderstand	70 kΩ	9 kΩ

Funktion	Externer Trigger	Funktionen TAR, Break, RUN
Ruhepegel	Hoch- oder Tief-Pegel ¹	Tief-Pegel
Auslösendes Ereignis	Übergang von Hoch- zu Tief-Pegel	Hoch-Pegel, entprellt ²

- 1) Stabiler Pegel am verwendeten Triggereingang. Die andere Leitung muss auf Tief-Pegel oder unbeschaltet sein.
- 2) Die Entprellung ist abhängig von der eingestellten Funktion (IMD-Befehl), nicht vom verwendeten Eingang (Gerätebuchse 1 oder 2).

7.2 Ausgänge

Der Ausgangstreiber der Schaltausgänge ist ein SPS-kompatibler Halbleiterschalter (High-Side-Treiber). Die Schaltung muss durch die externe Betriebsspannung U_{B2} versorgt werden. Alle Spannungen beziehen sich auf GND an der Gerätebuchse 1.

Bei Aktivieren eines Ausganges wird ein positiver Pegel auf die entsprechende Ausgangsleitung gegeben, die Spannung ist abhängig von U_{B2} . Der angeschlossene Verbraucher liegt zwischen dem Ausgang und dem GND-Potenzial der Schaltlasten-Versorgung:



Wichtig

An der Gerätebuchse 2 ist kein GND-Potenzial vorhanden, Sie müssen daher das Bezugspotenzial (GND) der Laststromkreise mit GND an der Gerätebuchse 1 verbinden.

Bei der Verbindung des GND-Potenzials sind zwei Fälle zu unterscheiden:

1. Die Funktionsblöcke, d. h., der digitale Teil für die Schaltausgänge und der Teil für die Versorgung mit der Betriebsspannung und die Schnittstelle, sind räumlich getrennt angeordnet (Abb. 7.1).
2. Beide Funktionsblöcke befinden sich innerhalb eines Schaltschranks (Abb. 7.2).

Stellen Sie im ersten Fall sicher, dass sowohl die Abschirmungen beider Leitungen als auch das GND-Potenzial mit je einer Leitung mit einem Mindestquerschnitt von $1,5 \text{ mm}^2$ verbunden sind. Dafür sind sowohl mehrpolige als auch einzelne Leitungen geeignet. Einzelne Leitungen dürfen jedoch nicht auf unterschiedlichen Wegen geführt werden, sondern müssen dicht beieinander liegen. Die Gesamtlänge eines Leiters darf nicht größer als 10 m sein (Abb. 7.1).

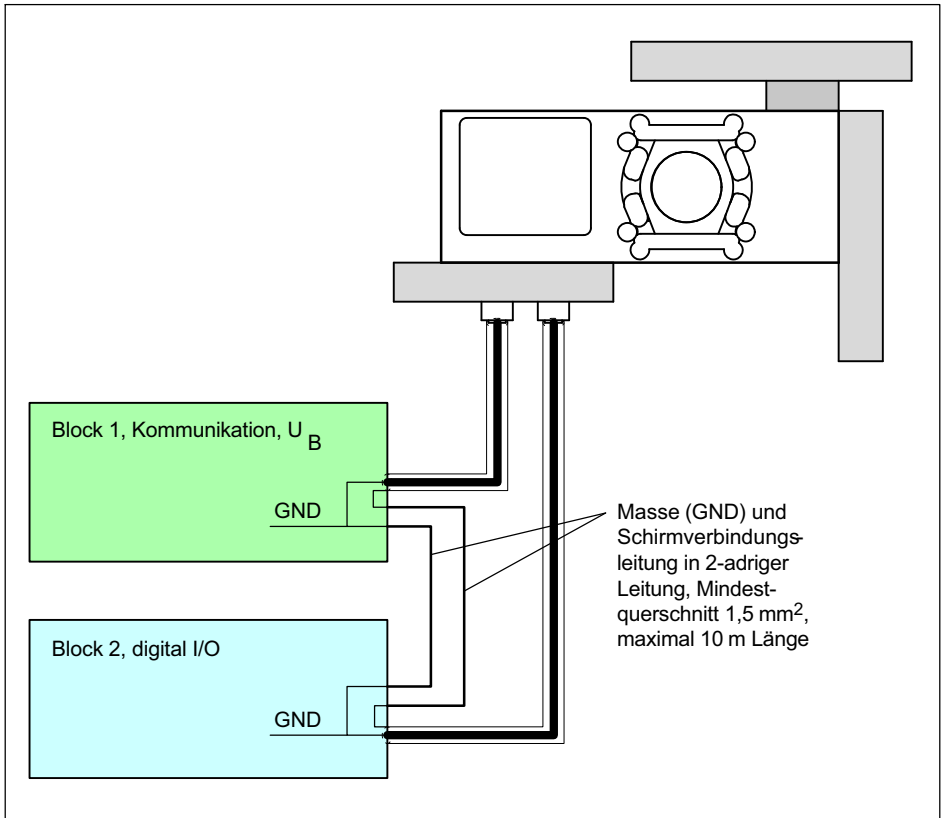


Abb. 7.1 Verbindung der GND-Potenziale bei getrennten Funktionsblöcken

Stellen Sie bei einer Montage aller Funktionsblöcke innerhalb eines Schaltschranks (Abb. 7.2 auf Seite 19) sicher, dass die GND-Potenziale der beiden Blöcke verbunden sind.

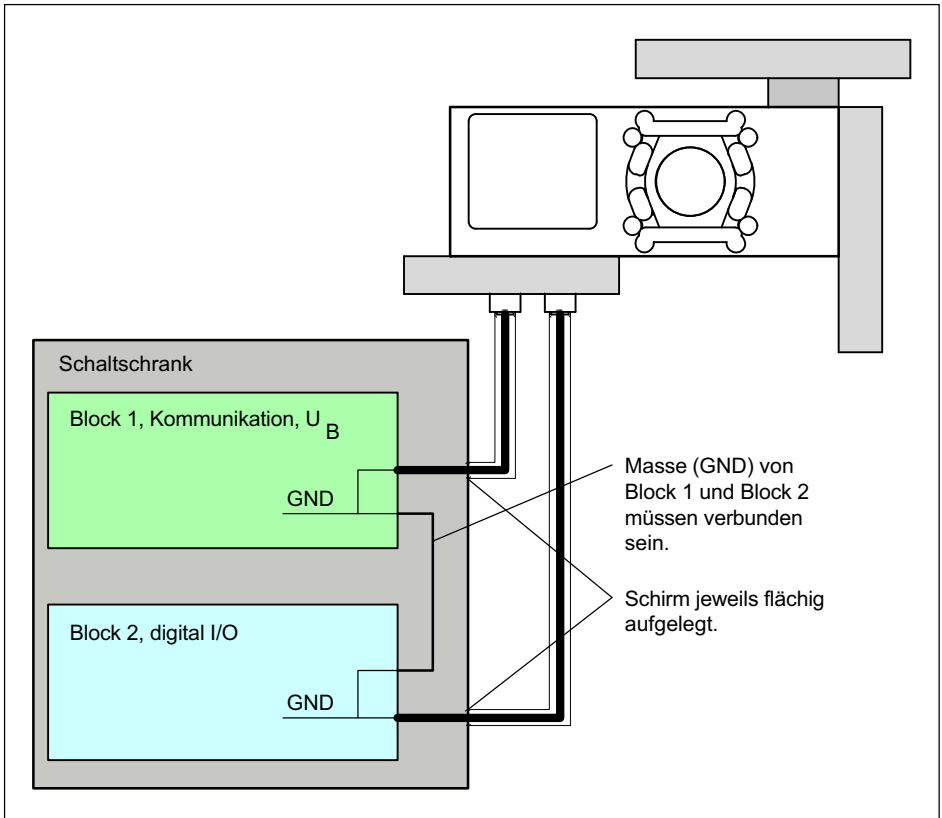


Abb. 7.2 Verbindung der GND-Potenziale bei Montage innerhalb eines Schaltschranks

8 Bedienung über Software

Laden Sie bei Bedarf die Software zur Parametrierung und Visualisierung von der Website von HBM herunter: www.hbm.com/support (Bereich „FIT Digitale Wägezellen & AED Wägeelektroniken“).

9 Entsorgung und Umweltschutz

Alle elektrischen und elektronischen Produkte müssen als Sondermüll entsorgt werden. Die ordnungsgemäße Entsorgung von Altgeräten beugt Umweltschäden und Gesundheitsgefahren vor.



Elektrische und elektronische Geräte, die dieses Symbol tragen, unterliegen der europäischen Richtlinie 2002/96/EG über elektrische und elektronische Altgeräte. Das Symbol weist darauf hin, dass nicht mehr gebrauchsfähige Altgeräte gemäß den europäischen Vorschriften für Umweltschutz und Rohstoffrückgewinnung getrennt von regulärem Hausmüll zu entsorgen sind.

Da die Entsorgungsvorschriften von Land zu Land unterschiedlich sind, bitten wir Sie, im Bedarfsfall Ihren Lieferanten anzusprechen, welche Art von Entsorgung oder Recycling in Ihrem Land vorgeschrieben ist.

Verpackungen

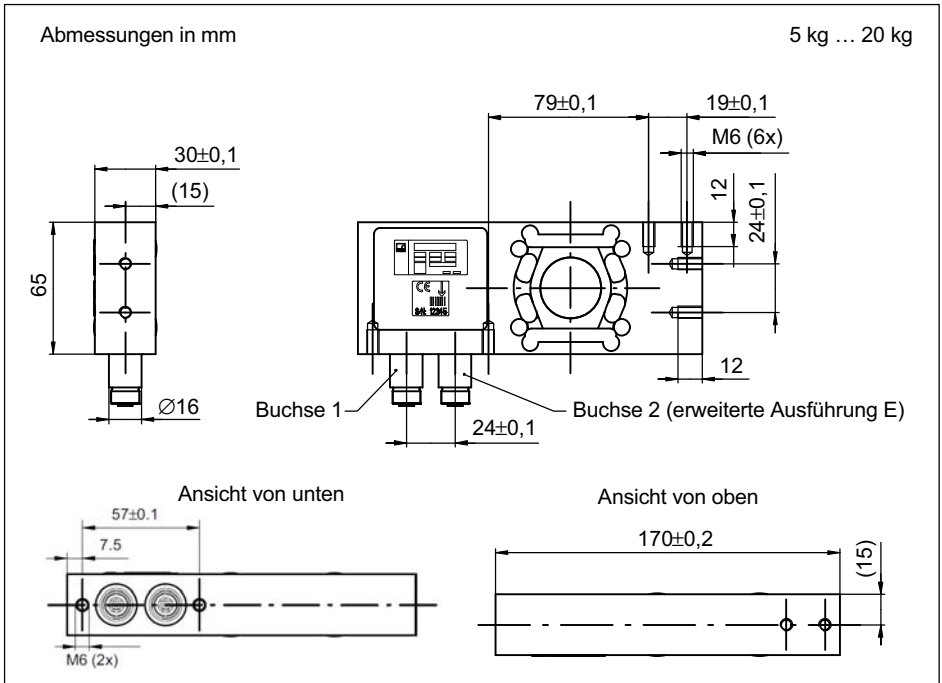
Die Originalverpackung von HBM besteht aus recyclebarem Material und kann der Wiederverwertung zugeführt werden. Bewahren Sie die Verpackung jedoch mindestens für den Zeitraum der Gewährleistung auf.

Aus ökologischen Gründen sollte auf den Rücktransport der leeren Verpackungen an uns verzichtet werden.

10 Technische Daten

Das aktuelle Datenblatt finden Sie auf der Website von HBM unter: www.hbm.com/HBMdoc.

11 Abmessungen



Operating Manual | Bedienungsanleitung |
Manuel d'emploi | Istruzioni per l'uso

English

Deutsch

Français

Italiano



FIT®5A



1	Consignes de sécurité	3
2	Marquages utilisés	7
2.1	Symboles apposés sur l'appareil	7
2.2	Marquages utilisés dans le présent document	8
3	Conditions environnantes à respecter	9
3.1	Protection contre la corrosion	9
3.2	Dépôts	9
4	Montage mécanique	10
4.1	Précautions importantes lors du montage	10
4.2	Montage et application de charge	10
5	Raccordement électrique	12
6	Interfaces	14
6.1	Raccordement de plusieurs pesons à un PC par RS-485	14
6.2	Raccordement à un PC avec interface RS-232 via le convertisseur d'interface HBM	15
6.3	Raccordement à l'interface CANopen	15
6.4	Raccordement à l'interface DeviceNet	15
6.5	Raccordement de l'interface de diagnostic	15
7	Entrées et sorties	17
7.1	Entrées	17
7.2	Sorties	17
8	Commande par logiciel	21
9	Élimination des déchets et protection de l'environnement ...	22
10	Caractéristiques techniques	23
11	Dimensions	24

1 Consignes de sécurité

Utilisation conforme

Les capteurs de la série FIT5A ne doivent être utilisés que pour des applications de pesage dans le cadre des limites d'utilisation spécifiées dans les caractéristiques techniques. Toute autre utilisation est considérée comme non conforme.

Toute personne chargée de l'installation, de la mise en service ou de l'exploitation du capteur doit impérativement avoir lu et compris le manuel d'emploi et notamment les informations relatives à la sécurité.

Pour garantir un fonctionnement du capteur en toute sécurité, celui-ci doit uniquement être utilisé par du personnel qualifié conformément aux instructions du manuel d'emploi. De plus, il convient, pour chaque cas particulier, de respecter les règlements et consignes de sécurité correspondants. Ceci s'applique également à l'utilisation des accessoires.

Le capteur n'est pas destiné à être mis en œuvre comme élément de sécurité. Reportez-vous à ce sujet au paragraphe "Mesures de sécurité supplémentaires". Afin de garantir un fonctionnement parfait et en toute sécurité, il convient de veiller à un transport, un stockage, une installation et un montage appropriés et d'assurer un maniement scrupuleux.

Conditions de fonctionnement

- Respecter notamment les valeurs maximales admissibles indiquées dans les caractéristiques techniques pour :
 - la charge limite,
 - la charge limite pour l'excentricité maxi.,
 - la charge transversale limite,
 - les charges de rupture,
 - les limites de température,
 - les limites de charge électrique.

- En cas de montage de plusieurs capteurs dans une balance, notez que la charge n'est pas toujours répartie de façon homogène sur les différents capteurs.
- Les capteurs peuvent être utilisés en tant qu'éléments de machine. Dans ce type d'utilisation, notez que les capteurs ne peuvent pas présenter les facteurs de sécurité habituels en construction mécanique car l'accent est mis sur la sensibilité élevée.
- Il est interdit de modifier le capteur sur le plan conceptuel ou celui de la sécurité sans accord explicite de notre part.
- Le capteur est sans entretien.
- Les capteurs devenus inutilisables ne doivent pas être mis au rebut avec les déchets ménagers usuels conformément aux directives nationales et locales pour la protection de l'environnement et la valorisation des matières premières, voir chapitre 9, page 22.

Personnel qualifié

Sont considérées comme personnel qualifié les personnes familiarisées avec l'installation, le montage, la mise en service et l'exploitation du produit, et disposant des qualifications correspondantes.

En font partie les personnes remplissant au moins une des trois conditions suivantes :

- Elles connaissent les concepts de sécurité de la technique de mesure et d'automatisation et les maîtrisent en tant que chargés de projet.
- Elles sont opérateurs des installations de mesure ou d'automatisation et ont été formées pour pouvoir utiliser les installations. Elles savent comment utiliser les appareils et technologies décrits dans le présent document.
- En tant que personnes chargées de la mise en service ou de la maintenance, elles disposent d'une formation les autorisant à réparer les installations d'automatisation. Elles sont en outre autorisées à mettre en service, mettre à la terre et marquer des circuits électriques et appareils conformément aux normes de la technique de sécurité.

Travail en toute sécurité

- L'appareil ne doit pas être raccordé directement au réseau électrique. La tension d'alimentation peut être comprise entre 10 et 30 V_{C.C.}
- Les messages d'erreur ne doivent être acquittés qu'une fois l'origine de l'erreur éliminée et lorsqu'il n'y a plus de danger.
- Les travaux d'entretien et de réparation sur l'appareil ouvert sous tension sont réservés à une personne qualifiée ayant connaissance du risque existant.
- Les appareils et dispositifs d'automatisation doivent être montés de manière à être soit suffisamment protégés contre toute activation involontaire, soit verrouillés (contrôle d'accès, protection par mot de passe ou autres, par exemple).
- Pour les appareils fonctionnant dans des réseaux, des mesures de sécurité doivent être prises côté matériel et côté logiciel, afin d'éviter qu'une rupture de câble ou d'autres interruptions de la transmission des signaux n'entraînent des états indéfinis ou la perte de données sur les dispositifs d'automatisation.
- Après avoir effectué des réglages ou toute autre opération protégée par mots de passe, assurez-vous que les commandes éventuellement raccordées restent sûres jusqu'au contrôle du comportement de commutation de l'appareil.

Mesures de sécurité supplémentaires

Des mesures de sécurité supplémentaires satisfaisant aux exigences des directives nationales et locales pour la prévention des accidents du travail doivent être prises pour les installations risquant de causer des dommages plus importants, une perte de données ou même des préjudices corporels, en cas de dysfonctionnement.

Les performances du capteur et l'étendue de la livraison ne couvrent qu'une partie des techniques de mesure. Avant la mise en service du capteur dans une installation, une configuration et une analyse de risque tenant compte de tous les aspects de sécurité de la technique de mesure et d'automatisation doivent être réalisées de façon à minimiser les dangers résiduels. Cela concerne notamment la protection des personnes et des installations. Les capteurs sont passifs et ne peuvent déclencher aucun arrêt (relatif à la sécurité).

En cas d'erreur, des mesures appropriées doivent permettre d'obtenir un état de fonctionnement sûr.

Risques généraux en cas de non-respect des consignes de sécurité

Le capteur est conforme au niveau de développement technologique actuel et présente une parfaite sécurité de fonctionnement. Le capteur peut présenter des dangers résiduels s'il est utilisé de manière non conforme.

2 Marquages utilisés

2.1 Symboles apposés sur l'appareil

Marquage prescrit par la loi pour la gestion des déchets



Les appareils usagés devenus inutilisables ne doivent pas être mis au rebut avec les déchets ménagers usuels conformément aux directives nationales et locales pour la protection de l'environnement et la valorisation des matières premières. Voir également le chapitre 9, page 22.




Marquage CE



Le marquage CE permet au constructeur de garantir que son produit est conforme aux exigences des directives européennes correspondantes (la déclaration de conformité est disponible sur le site Internet de HBM (www.hbm.com) sous HBMdoc).

2.2 Marquages utilisés dans le présent document

Les remarques importantes pour votre sécurité sont repérées d'une manière particulière. Il est impératif de tenir compte de ces consignes, afin d'éviter les accidents et les dommages matériels.

Symbole	Signification
	Ce marquage signale un risque <i>potentiel</i> qui - si les dispositions relatives à la sécurité ne sont pas respectées - <i>peut avoir</i> pour conséquence de graves blessures corporelles, voire la mort.
	Ce marquage signale une situation qui - si les dispositions relatives à la sécurité ne sont pas respectées - <i>peut avoir</i> pour conséquence des dégâts matériels.
	Ce marquage signale que des informations <i>importantes</i> concernant le produit ou sa manipulation sont fournies.
<i>Mise en valeur</i> <i>Voir ...</i>	Les caractères en italique mettent le texte en valeur et signalent des renvois à des chapitres, des illustrations ou des documents et fichiers externes.

3 Conditions environnementales à respecter

Les pesons de la série FIT5A sont fermés hermétiquement et sont donc particulièrement insensibles à l'humidité. Les capteurs atteignent les classes de protection IP68 et IP69K selon EN 60529. Les pesons doivent cependant être protégés contre toute influence durable de l'humidité.

3.1 Protection contre la corrosion

Le peson doit être protégé contre les produits chimiques susceptibles d'attaquer l'acier du corps du capteur ou le câble.

Note

Les acides et toutes les substances libérant des ions attaquent également les aciers inoxydables et leurs cordons de soudure.

La corrosion éventuelle qui peut en résulter est susceptible d'entraîner la défaillance du capteur. Prévoir dans ce cas des mesures de protection correspondantes.

3.2 Dépôts

La poussière, la saleté et autres corps étrangers ne doivent pas s'accumuler sous peine de dévier une partie de la force de mesure sur le boîtier et ainsi de fausser la valeur de mesure (shunt).

4 Montage mécanique

4.1 Précautions importantes lors du montage

- Manipuler le capteur avec précaution.
- Aucun courant de soudage ne doit traverser le capteur. Si cela risque de se produire, le capteur doit être shunté électriquement à l'aide d'une liaison de basse impédance appropriée. À cet effet, HBM propose par ex. le câble de mise à la terre très souple EEK vissé au-dessus et au-dessous du capteur.
- S'assurer que le capteur ne peut pas être surchargé.



AVERTISSEMENT

En cas de surcharge du capteur, ce dernier risque de se briser. Cela peut être dangereux pour les opérateurs de l'installation dans laquelle le capteur est monté.

Prendre des mesures de protection appropriées pour éviter toute surcharge ou pour se protéger des risques qui pourraient en découler.

Note

Les pesons sont des éléments sensibles de précision et doivent donc être maniés avec précaution. Les chocs et les chutes risquent de provoquer un endommagement irréversible du capteur. Veiller à ce que le capteur ne puisse pas être surchargé lors du montage également.

4.2 Montage et application de charge

Fixer les pesons au niveau des deux orifices de montage situés à côté du ou des connecteur(s) femelle(s) (selon la version, il y a un ou deux connecteurs femelles). Il est possible de monter une plateforme sur le dessus pour l'ap-

application de charge. Le tableau ci-dessous indique les vis et couples de serrage à utiliser :

Fixation	Filetage	Classe de dureté mini.	Couple de serrage ¹⁾
Sur plaque de montage	M6	10.9	10 N·m
Pour application de charge	M6	10.9	10 N·m

1) Valeur recommandée pour la classe de dureté indiquée. Pour le dimensionnement des vis, respecter les informations correspondantes fournies par le fabricant des vis.

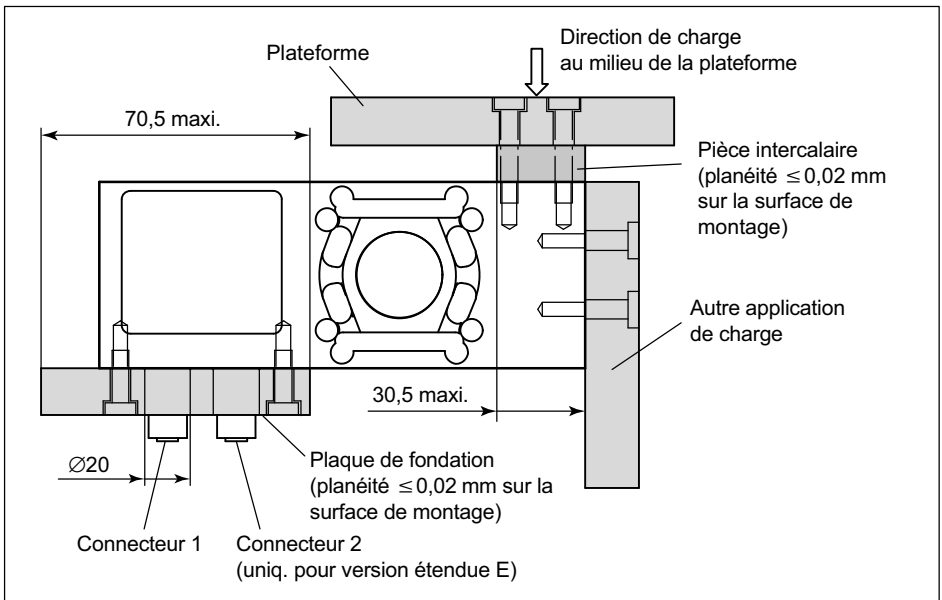


Fig. 4.1 Application de charge et montage



Important

La surface des composants montés sur le peson doit présenter une planéité supérieure à 0,02 mm.

5 Raccordement électrique

Note

Les composants électroniques sont sensibles aux décharges électrostatiques (ESD : Electro-Static Discharge). Il faut donc éliminer l'électricité statique qui est sur vous avant de toucher les connecteurs.

En version standard, le peson est livré avec un connecteur femelle à 8 broches. La version étendue E comprend un second connecteur femelle à 8 broches.

Connecteurs femelles 1 et 2

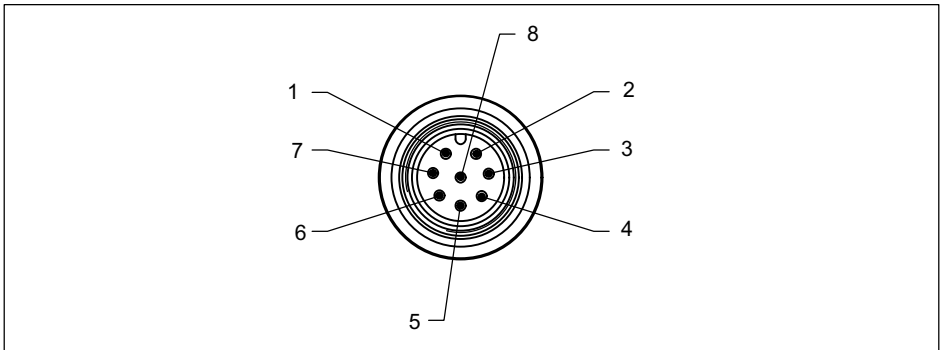


Fig. 5.1 Connecteur femelle M12, 8 broches

Connexion	Connecteur femelle 1	
	RS-485	CANOpen/DeviceNet
1	GND ¹⁾	GND
2	Diag RbTb ou libre ²⁾	Diag RbTb ou libre ²⁾
3	RA	CAN-High IN
4	Diag RaTa ou trigger ²⁾	Diag RaTa ou trigger ²⁾
5	RB	CAN-Low IN
6	TB	CAN-Low OUT
7	TA	CAN-High OUT
8	U _{B1}	U _{B1}

- 1) Sur la version étendue E, il faut relier GND (broche 1) du connecteur femelle 1 à GND de l'alimentation du second connecteur femelle (entrées/sorties). Voir chapitre 7, page 17.
- 2) La version standard S ne dispose pas de voie de diagnostic. La broche 4 correspond alors à l'entrée trigger et la broche 2 doit rester libre.

Connexion	Connecteur femelle 2 (version étendue E) ¹⁾
1	-
2	IN2
3	OUT2
4	IN1
5	OUT4
6	OUT3
7	OUT1
8	U _{B2} ¹⁾

- 1) Les signaux se réfèrent à GND du connecteur 1. La ligne GND de l'alimentation du connecteur 2 doit être reliée à la broche 1 (GND) du connecteur 1 car le connecteur 2 ne comporte aucune connexion pour cela. Voir chapitre 7, page 17.

Les câbles de liaison appropriés et les couleurs de fils utilisées sont indiqués dans les caractéristiques techniques "Câbles avec connecteur", B3643, de HBM.

6 Interfaces

Le peson est livré au choix avec une interface RS-485, CANopen ou Device-Net. Le potentiel de référence pour tous les signaux d'interface est GND (masse de l'alimentation) du connecteur femelle 1.

6.1 Raccordement de plusieurs pesons à un PC par RS-485

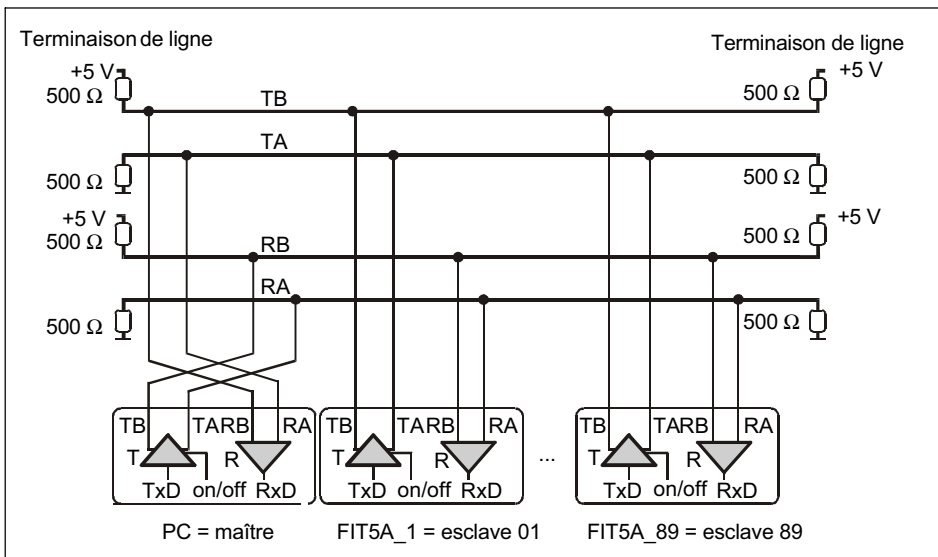


Fig. 6.1 Raccordement du bus par RS-485

L'interface RS-485 permet de raccorder jusqu'à 89 pesons à une même ligne de bus qui peut atteindre une longueur de fil totale de 1 000 m. Le principe de câblage du bus pour le mode 4 fils est illustré à la Fig. 6.1.

Noter que de nombreux PC ne disposent pas d'interface RS-485. Dans ce cas, il faut mettre en œuvre un convertisseur d'interface, par ex. le convertisseur HBM (voir paragraphe 6.2).

6.2 Raccordement à un PC avec interface RS-232 via le convertisseur d'interface HBM

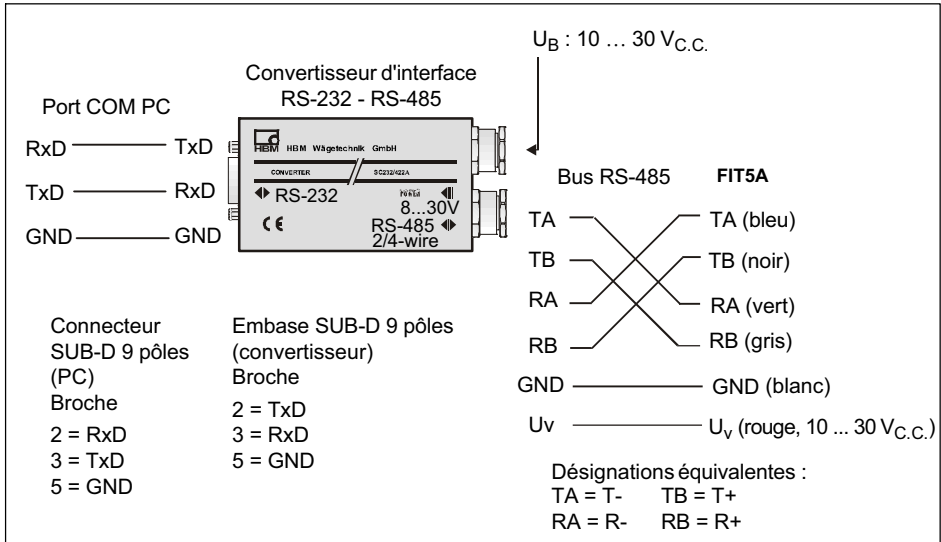


Fig. 6.2 Raccordement à un PC via le convertisseur d'interface de HBM

6.3 Raccordement à l'interface CANOpen

L'interface a été conçue conformément à la norme CANOpen DS301. À la livraison, l'adresse du peson est 63.

6.4 Raccordement à l'interface DeviceNet

Cette interface a été conçue conformément à la spécification DeviceNet, version 2.0 ODVA. À la livraison, l'adresse du peson est 63.

6.5 Raccordement de l'interface de diagnostic

Cette interface permet de lire les valeurs en temps réel enregistrées par la fonction de diagnostic. À la livraison, l'adresse du peson est 31 et le débit en bauds est réglé de manière fixe sur 38 600 Bd.

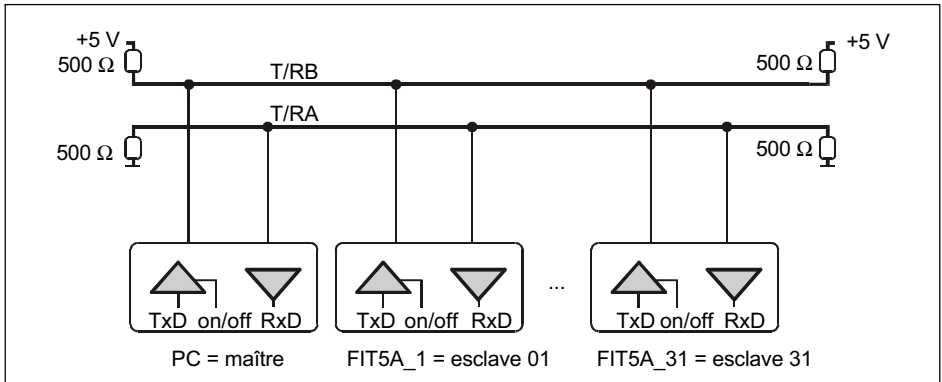


Fig. 6.3 Raccordement de l'interface de diagnostic

7 Entrées et sorties

7.1 Entrées

Appliquer les signaux de contrôle entre l'entrée concernée et le potentiel de référence (GND). Dans la version standard, l'entrée trigger peut être pilotée directement par un signal logique (HCMOS), mais il est également possible d'utiliser des tensions jusqu'à 12 V. Les entrées du connecteur femelle 2 conviennent pour les signaux d'un API. Dans les deux cas, le potentiel de référence est GND du connecteur femelle 1. Le tableau ci-dessous indique les états logiques pour les valeurs de tension à l'entrée. Les niveaux situés entre les niveaux Haut et Bas indiqués entraînent des états indéfinis !

	Entrée trigger	Entrées IN1, IN2
Potentiel de référence	GND	GND
Niveau Haut	> 4 V	> 10 V
Niveau Bas	< 1 V	< 6 V
Résistance d'entrée	70 k Ω	9 k Ω

Fonction	Trigger externe	Fonctions TAR, Break, RUN
Niveau de repos	Niveau Haut ou Bas ¹	Niveau Bas
Événement déclencheur	Passage de Haut à Bas	Niveau Haut, anti-rebond ²

1) Niveau stable à l'entrée trigger utilisée. L'autre ligne doit être au niveau Bas ou ne pas être branchée.

2) La caractéristique anti-rebond dépend de la fonction réglée (commande IMD), pas de l'entrée utilisée (connecteur femelle 1 ou 2).

7.2 Sorties

Le pilote de sortie des sorties de commutation est un commutateur à semi-conducteurs (pilote HighSide) compatible API. Le circuit doit être alimenté par la tension d'alimentation externe U_{B2} . Toutes les tensions se réfèrent à GND du connecteur femelle 1.

L'activation d'une sortie génère un niveau positif sur la ligne de sortie correspondante. La tension est fonction de U_{B2} . Le consommateur raccordé se trouve entre la sortie et le potentiel GND de l'alimentation des charges de commutation :



Important

Il n'y a aucun potentiel GND au niveau du connecteur femelle 2. Il faut donc relier le potentiel de référence (GND) des circuits de charge à GND du connecteur femelle 1.

Pour le raccordement du potentiel GND, il convient de distinguer deux cas :

1. Les blocs fonctionnels, c'est-à-dire la partie numérique pour les sorties de commutation et la partie pour l'alimentation en tension de fonctionnement et l'interface, sont placés à des endroits différents (Fig. 7.1).
2. Les deux blocs fonctionnels se trouvent dans la même armoire électrique (Fig. 7.2).

Dans le premier cas, s'assurer que le blindage des deux lignes ainsi que le potentiel GND sont chacun reliés par une ligne d'une section minimale de $1,5 \text{ mm}^2$. Ces lignes peuvent comporter un ou plusieurs conducteurs. Les lignes à un seul conducteur doivent cependant être situées très près les unes des autres et ne pas suivre des chemins différents. La longueur totale d'un conducteur ne doit pas dépasser 10 m (Fig. 7.1).

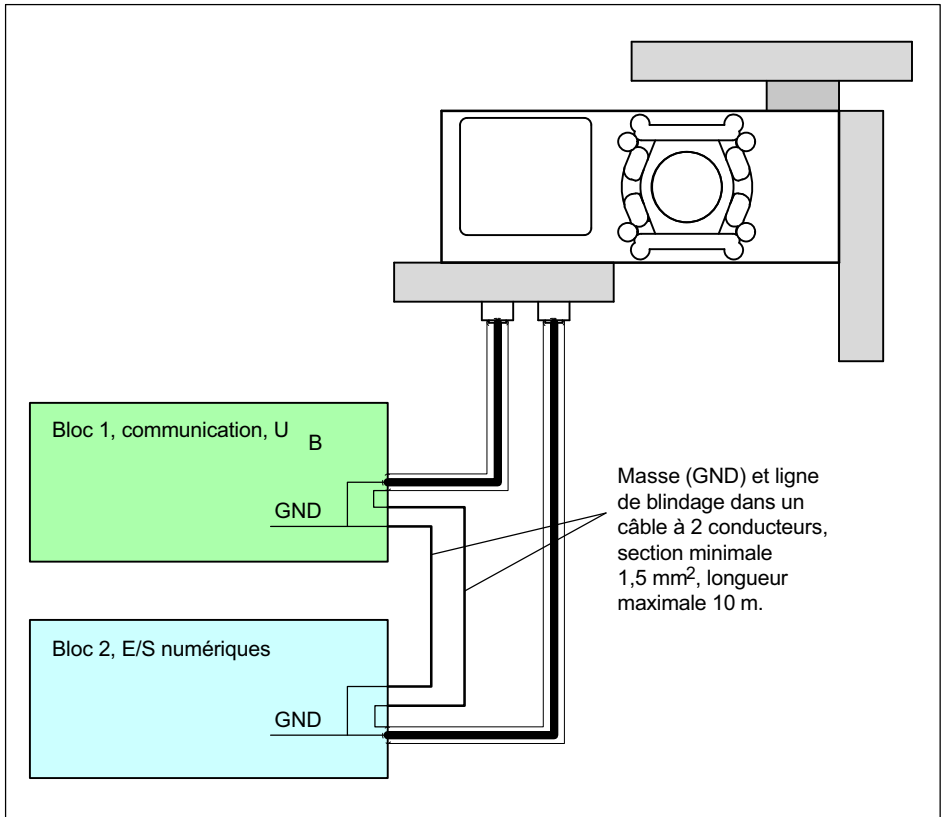


Fig. 7.1 Connexion des potentiels GND en cas de blocs séparés

En cas de montage de tous les blocs fonctionnels dans une même armoire électrique (Fig. 7.2 page 20), s'assurer que les potentiels GND des deux blocs sont reliés.

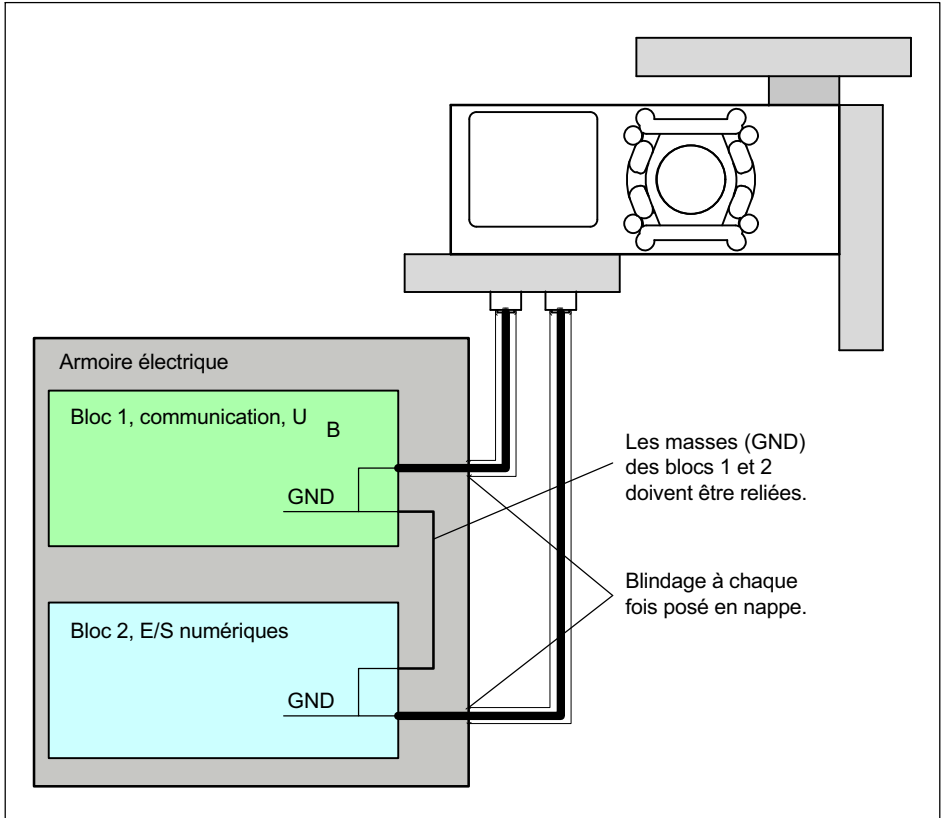


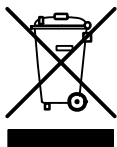
Fig. 7.2 Raccordement des potentiels GND en cas de montage dans une même armoire

8 Commande par logiciel

Le cas échéant, télécharger le logiciel de paramétrage et de visualisation disponible sur le site Internet de HBM : www.hbm.com/support (sous Téléchargement Software / Firmware - “FIT Digital Load Cells & AED Weighing Electronics”).

9 Élimination des déchets et protection de l'environnement

Tous les produits électriques et électroniques doivent être mis au rebut en tant que déchets spéciaux. L'élimination correcte d'appareils usagés permet d'éviter les dommages écologiques et les risques pour la santé.



Les appareils électriques et électroniques portant ce symbole sont soumis à la directive européenne 2002/96/CE concernant les appareils électriques et électroniques usagés. Ce symbole indique que les équipements usagés ne doivent pas, conformément aux directives européennes en matière de protection de l'environnement et de recyclage des matières premières, être éliminés avec les déchets ménagers normaux.

Comme les instructions d'élimination des déchets diffèrent d'un pays à l'autre, nous vous prions, le cas échéant, de demander à votre fournisseur quel type d'élimination des déchets ou de recyclage est mis en œuvre dans votre pays.

Emballages

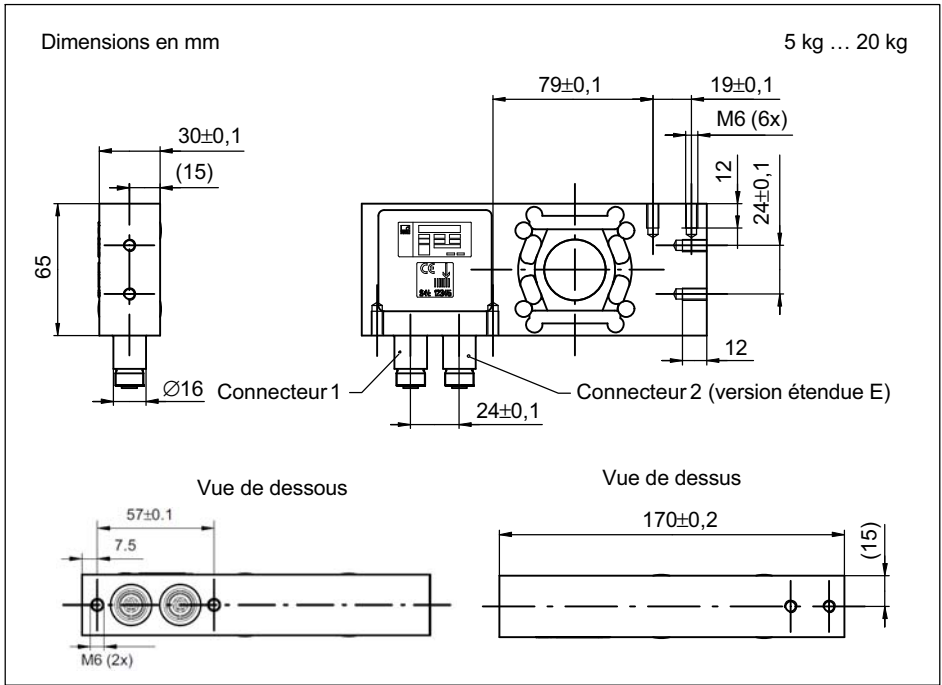
L'emballage d'origine HBM se compose de matériaux recyclables et peut donc être recyclé. Conservez toutefois l'emballage au moins durant la période de garantie.

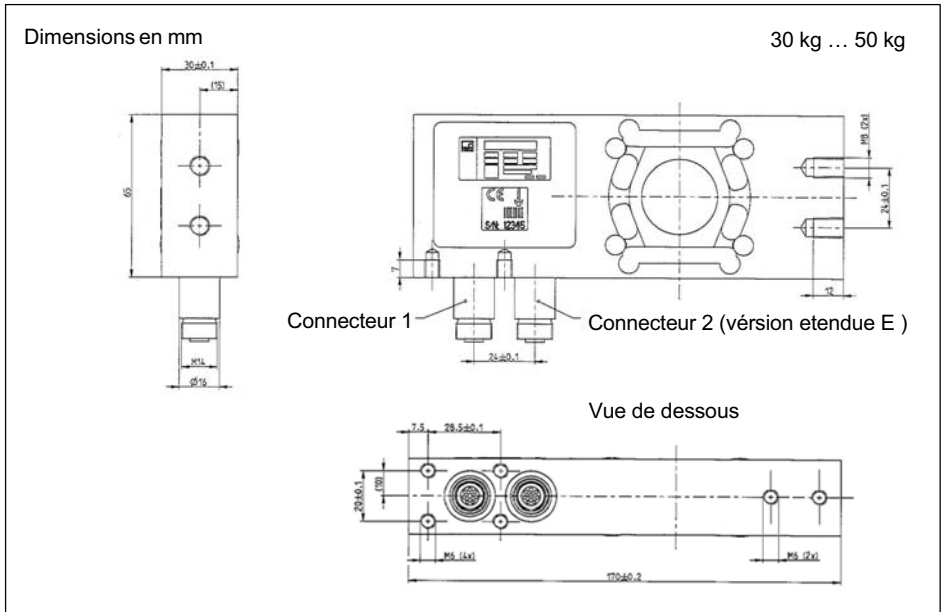
Pour des raisons écologiques, il est préférable de ne pas nous renvoyer les emballages vides.

10 Caractéristiques techniques

Les caractéristiques techniques actuelles sont disponibles sur le site Internet de HBM, sous : www.hbm.com/HBMdoc.

11 Dimensions





1	Note sulla sicurezza	3
2	Simboli utilizzati in questo documento	7
2.1	Simboli riportati sullo strumento	7
2.2	Simboli utilizzati in questo documento	8
3	Condizioni del luogo di installazione	9
3.1	Protezione dalla corrosione	9
3.2	Sedimenti	9
4	Installazione meccanica	10
4.1	Precauzioni importanti durante l'installazione	10
4.2	Montaggio ed introduzione del carico	10
5	Collegamento elettrico	12
6	Interfacce	14
6.1	Collegamento di più celle al PC mediante la RS-485	14
6.2	Collegamento ad un PC con interfaccia RS-232 mediante il Convertitore di interfaccia HBM	15
6.3	Collegamento dell'interfaccia CANopen	15
6.4	Collegamento dell'interfaccia DeviceNet	15
6.5	Collegamento dell'interfaccia Diagnostica	15
7	Ingressi ed uscite	17
7.1	Ingressi	17
7.2	Uscite	17
8	Comandi tramite Software	21
9	Smaltimento rifiuti e tutela dell'ambiente	22
10	Dati tecnici	23
11	Dimensioni	24

1 Note sulla sicurezza

Impiego conforme

I trasduttori della serie FIT5A si possono usare esclusivamente nelle applicazioni della tecnica di pesatura e nell'ambito dei limiti d'impiego specificati nei dati tecnici. Qualsiasi altro impiego verrà considerato non conforme.

Chiunque sia incaricato dell'installazione, messa in funzione, manutenzione o della riparazione del trasduttore, deve aver letto e compreso quanto riportato nelle presenti istruzioni di montaggio, in particolare le note tecniche sulla sicurezza.

Per garantire il funzionamento in sicurezza, questo trasduttore può essere usato solo da personale qualificato e secondo le specifiche indicate nel manuale di istruzione. Durante l'uso devono essere inoltre osservate le normative legali e sulla sicurezza previste per ogni specifica applicazione. Per gli eventuali accessori vale quanto sopra affermato.

Il trasduttore non è concepito per l'impiego come componente di sicurezza. A tal proposito, consultare anche la sezione „Precauzioni di sicurezza addizionali“. L'impiego appropriato ed in sicurezza presuppone che anche il trasporto, il magazzinaggio, l'installazione ed il montaggio siano adeguati e che il suo uso e manutenzione siano accurati.

Condizioni di esercizio

- In particolare si devono rispettare i limiti dei massimi valori di carico consentiti specificati nei dati tecnici:
 - Carico limite
 - Carico limite alla max. eccentricità
 - Carico laterale limite
 - Carico di rottura
 - Limiti di temperatura
 - Limiti di carico elettrico
- Notare che montando più trasduttori in una bilancia, non sempre risulta uniforme la distribuzione del carico sui singoli trasduttori.

- I trasduttori possono essere usati come componenti di macchinari. A tale proposito notare che, per ottenere un'adeguata sensibilità, essi non possono essere costruiti con i fattori di sicurezza usuali nella produzione delle macchine.
- Senza il nostro esplicito benestare, non è consentito apportare al trasduttore modifiche dal punto di vista strutturale e della sicurezza.
- Il trasduttore non necessita di manutenzione.
- Conformemente alla legislazione nazionale e locale sulla tutela dell'ambiente e sul recupero e riciclaggio delle materie prime, i trasduttori inutilizzabili devono essere smaltiti separatamente dalla normale spazzatura domestica, vedere il capitolo 9, pagina 22.

Personale qualificato

Sono considerati personale qualificato coloro che abbiano esperienza nell'installazione, montaggio, messa in funzione e conduzione di tali prodotti e che, per la loro attività, abbiano ricevuto la relativa qualifica.

Ciò comprende il personale che soddisfi almeno una delle tre seguenti condizioni:

- La conoscenza dei concetti di sicurezza della tecnologia di automazione è un requisito, ed il personale del progetto deve aver familiarità con esso.
- Quali operatori dell'impianto di automazione si deve aver ricevuto l'addestramento sulla sua gestione. Si deve avere familiarità con l'uso della strumentazione e delle tecnologie descritte in questa documentazione.
- Si deve essere incaricati della messa in funzione o degli interventi di assistenza ed avere conseguito la qualifica per la riparazione di impianti di automazione. Si deve infine disporre dell'autorizzazione per la messa in funzione, la messa a terra e l'identificazione di circuiti elettrici e strumenti in conformità alle norme relative alla tecnica di sicurezza.

Lavorare in modo consapevole e sicuro

- Lo strumento non può essere collegato direttamente alla rete di energia elettrica. La tensione di alimentazione deve essere compresa fra 10 e 30 V=.

- Confermare i messaggi di errore solo dopo averne eliminato la causa e che non esista più alcun pericolo.
- I lavori di manutenzione e riparazione con strumento aperto e sotto tensione possono essere eseguiti solo da personale addestrato e consapevole del rischio che corre.
- Gli strumenti ed apparecchiature della tecnologia di automazione devono essere realizzati in modo da risultare sufficientemente protetti, ovvero bloccati contro l'azionamento involontario (ad esempio adottando controlli di accesso, parole d'ordine, od accorgimenti simili).
- Per gli strumenti che operano in rete, si devono prendere precauzioni di sicurezza concernenti hardware e software per cui, in caso di guasto dei conduttori od altre interruzioni della trasmissione del segnale, non entrino in uno stato operativo indefinito o non si perdano i dati nell'impianto di automazione.
- In caso di attività protette da parola d'ordine, assicurarsi che durante l'installazione gli eventuali sistemi di regolazione restino in stato di sicurezza operativa finché non ne sia stata verificata la funzionalità.

Precauzioni di sicurezza aggiuntive

In impianti dove anomalie di funzionamento possono causare gravi danni, perdite di dati o addirittura lesioni alle persone, è necessario adottare ulteriori precauzioni in conformità ai regolamenti sulla prevenzione degli infortuni nazionali e locali.

Le prestazioni e la dotazione di fornitura del trasduttore coprono soltanto una parte della tecnica di misura. Prima della messa in funzione dello strumento nell'impianto si devono pianificare ed analizzare i rischi, tenendo conto di tutti gli aspetti sulla sicurezza della tecnologia di automazione, in modo da minimizzare i rischi residui. Questo aspetto riguarda in particolare la protezione del personale e dell'impianto. I sensori operano in modo passivo e non possono effettuare alcun arresto di emergenza rilevante per la sicurezza. In caso di guasto, si devono attuare le relative precauzioni per entrare in uno stato operativo di sicurezza.

Rischi generali per la non osservanza dei regolamenti di sicurezza

Il trasduttore è costruito allo stato dell'arte ed è di funzionamento sicuro. Tuttavia, l'installazione o l'impiego non conforme da parte di personale non addestrato, comporta dei rischi residui.

2 Simboli utilizzati in questo documento

2.1 Simboli riportati sullo strumento

Marchio di legge per lo smaltimento dei rifiuti



Conformemente alla legislazione nazionale e locale sulla tutela dell'ambiente e sul recupero e riciclaggio dei materiali, gli strumenti elettrici inutilizzabili devono essere smaltiti separatamente dalla normale spazzatura domestica. Vedere anche il paragrafo 9 a pagina 22.




Marchio CE



Con il marchio CE il costruttore garantisce che il proprio prodotto è conforme ai requisiti imposti dalle pertinenti Direttive CE (la Dichiarazione di Conformità si trova nel sito HBM (www.hbm.com) sotto HBMdoc).

2.2 Simboli utilizzati in questo documento

Le note importanti concernenti la vostra sicurezza sono particolarmente evidenziate. Osservare assolutamente queste note al fine di evitare incidenti alle persone e danni alle cose.

Simbolo	Significato
	Questo simbolo segnala una situazione <i>potenzialmente</i> pericolosa per cui – il mancato rispetto dei requisiti di sicurezza – <i>può provocare</i> la morte o gravi lesioni fisiche.
	Questo simbolo segnala una situazione per cui – il mancato rispetto dei requisiti di sicurezza – può <i>provocare danni alle cose</i> .
	Questo simbolo segnala informazioni <i>importanti</i> sul prodotto o sul suo maneggio.
<i>Evidenziazione</i> <i>Vedere ...</i>	Il corsivo evidenzia il testo rimandando a capitoli, paragrafi, figure oppure a documenti e file esterni.

3 Condizioni del luogo di installazione

Le celle di carico della serie FIT5A sono ermeticamente incapsulate e perciò quasi del tutto insensibili all'influenza dell'umidità. I trasduttori raggiungono l'elevato grado di protezione IP68 ed IP69K secondo EN 60 529. Tuttavia, nel caso di esposizione continuativa all'umidità, le celle di carico devono essere protette.

3.1 Protezione dalla corrosione

Le celle di carico devono essere protette dall'azione delle sostanze chimiche che attacchino l'acciaio del corpo del trasduttore od il suo cavo.

Avviso

Gli acidi e le sostanze che rilasciano ioni liberi attaccano anche l'acciaio inossidabile ed i relativi cordoni di saldatura.

Tale tipo di corrosione potrebbe causare il guasto dei trasduttori. In questo caso attuare le adeguate misure di protezione.

3.2 Sedimenti

Polvere, sporcizia ed altri corpi estranei non si devono accumulare sul trasduttore, poiché potrebbero creare derivazioni della forza e falsare così il valore di misura (shunt di forza).

4 Installazione meccanica

4.1 Precauzioni importanti durante l'installazione

- Maneggiare con cura il trasduttore.
- Non consentire ad eventuali correnti di saldatura di fluire nel trasduttore. Esistendo tale pericolo, si deve cavallottare il trasduttore con un idoneo conduttore a bassa resistenza. A tal scopo usare ad esempio la flessibile trecciola di terra EEK della HBM, fissandola sopra e sotto il trasduttore.
- Assicurarsi che il trasduttore non possa venir sovraccaricato.



AVVERTIMENTO

Nel caso di sovraccarico, esiste il rischio di rottura del trasduttore. Ciò mette in pericolo il personale che gestisce l'impianto in cui è montato il trasduttore.

Implementare le appropriate misure di sicurezza per evitare i sovraccarichi o per la protezione dai pericoli che ne derivano.

Avviso

Le celle di carico sono strumenti di misura di alta precisione e, come tali, richiedono un accurato maneggio. Urti o cadute possono danneggiare permanentemente il trasduttore. Per tale ragione, assicurarsi che il trasduttore non possa essere sovraccaricato anche durante la sua installazione.

4.2 Montaggio ed introduzione del carico

Fissare le due celle di carico ai due fori di montaggio vicino alla presa o prese elettriche (a seconda della versione ci sono una o due prese). Sulla parte superiore si può montare una piattaforma per l'introduzione del carico. La seguente tabella mostra le viti e le coppie di serraggio da utilizzare:

Fissaggio	Filettatura	Min. classe di resistenza	Coppia di serraggio ¹⁾
sulla piastra di montaggio	M6	10.9	10 N·m
per l'introduzione del carico	M6	10.9	10 N·m

1) Valore indicativo della classe di resistenza data. Per il montaggio delle viti seguire le informazioni fornite dal loro produttore.

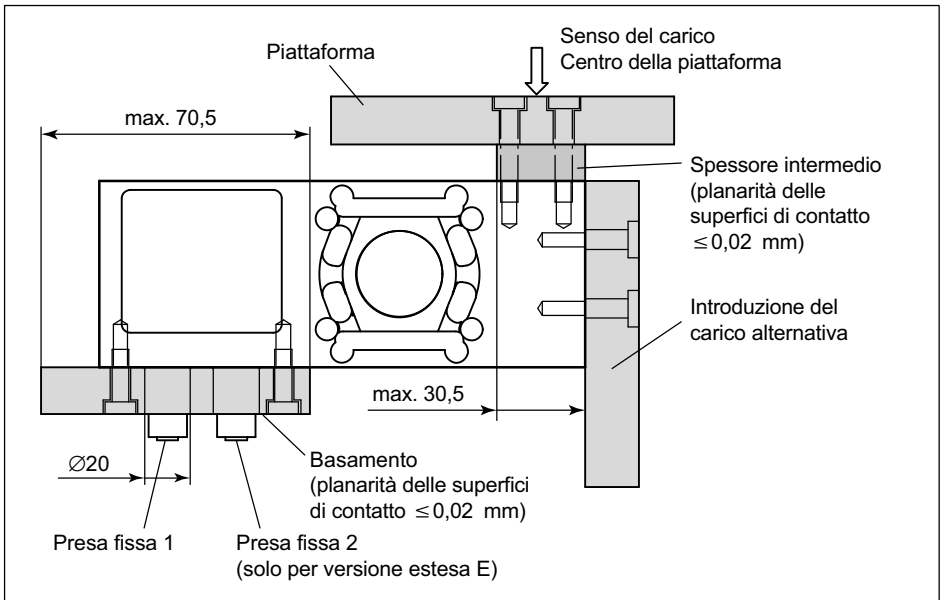


Fig. 4.1 Introduzione del carico ed installazione



Importante

Le superfici dei componenti su cui montare le celle di carico devono avere planarità migliore di 0,02 mm.

5 Collegamento elettrico

Avviso

I componenti elettronici sono sensibili alle scariche elettrostatiche (ESD, Electro-Static Discharge). Perciò scaricare l'elettricità statica dal proprio corpo prima ti toccare le spine di collegamento.

La versione standard della cella di carico viene fornita con presa fissa ad 8 poli. La versione estesa E dispone di una seconda presa fissa ad 8 poli.

Prese fisse 1 e 2

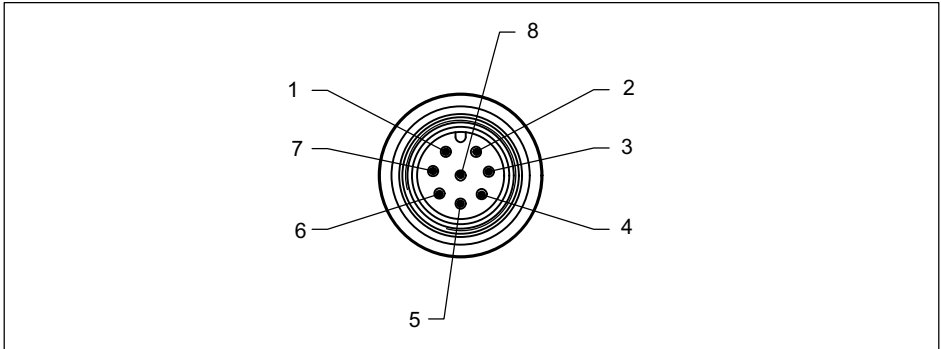


Fig. 5.1 Presa fissa M12, 8 poli

Polo	Presa fissa 1	
	RS-485	CANopen / DeviceNet
1	GND ¹⁾	GND
2	Diag RbTb o non occupato ²⁾	Diag RbTb o non occupato ²⁾
3	RA	CAN-High IN
4	Diag RaTa o Trigger ²⁾	Diag RaTa o Trigger ²⁾
5	RB	CAN-Low IN
6	TB	CAN-Low OUT
7	TA	CAN-High OUT
8	U _{B1}	U _{B1}

- 1) Con la versione estesa E si deve collegare il GND (polo 1) della presa fissa 1 con il GND della tensione di alimentazione della seconda presa fissa (ingressi / uscite). Vedere capitolo 7, pagina 17.
- 2) Nella versione standard non è disponibile alcun canale diagnostico. Il polo 4 è l'ingresso Trigger, il polo 2 non deve essere utilizzato.

Polo	Presa fissa 2 (versione estesa E)¹⁾
1	-
2	IN2
3	OUT2
4	IN1
5	OUT4
6	OUT3
7	OUT1
8	U _{B2} ¹⁾

- 1) I segnali si riferiscono al polo GND della presa 1. Collegare il conduttore GND della tensione di alimentazione della presa fissa 2 al polo 1 (GND) della presa fissa 1, poiché la presa 2 non dispone di alcun collegamento a tal scopo. Vedere il capitolo 7, pagina 17.

I cavi di collegamento idonei ed i colori dei fili utilizzati si trovano nel prospetto dati „Cavi con spine“, B3643, della HBM.

6 Interfacce

A scelta, le celle di carico vengono fornite con interfaccia RS-485, CANopen o DeviceNet. Il potenziale di riferimento di tutti i segnali dell'interfaccia è il polo GND (massa dell'alimentazione) della presa fissa 1.

6.1 Collegamento di più celle al PC mediante la RS-485

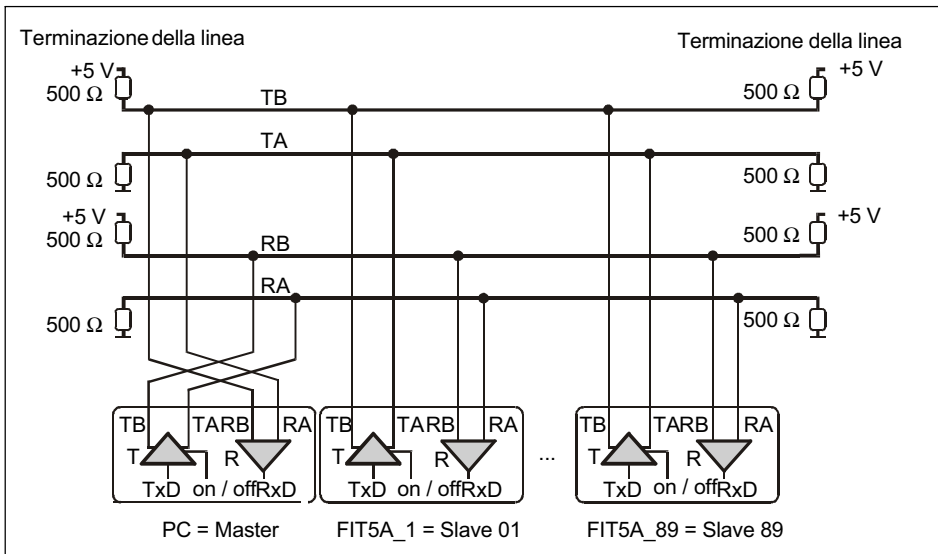


Fig. 6.1 Terminazione del bus con la RS-485

Tramite l'interfaccia RS-485 si possono collegare fino ad 89 celle di carico ad una linea bus comune, la cui lunghezza complessiva può raggiungere i 1000 m. Il principio di cablaggio per bus a 4 fili è mostrato in Fig. 6.1.

Notare che molti PC non dispongono di interfaccia RS-485. In questo caso è necessario un convertitore di interfaccia, ad esempio il Convertitore HBM (vedere il paragrafo 6.2).

6.2 Collegamento ad un PC con interfaccia RS-232 mediante il Convertitore di interfaccia HBM

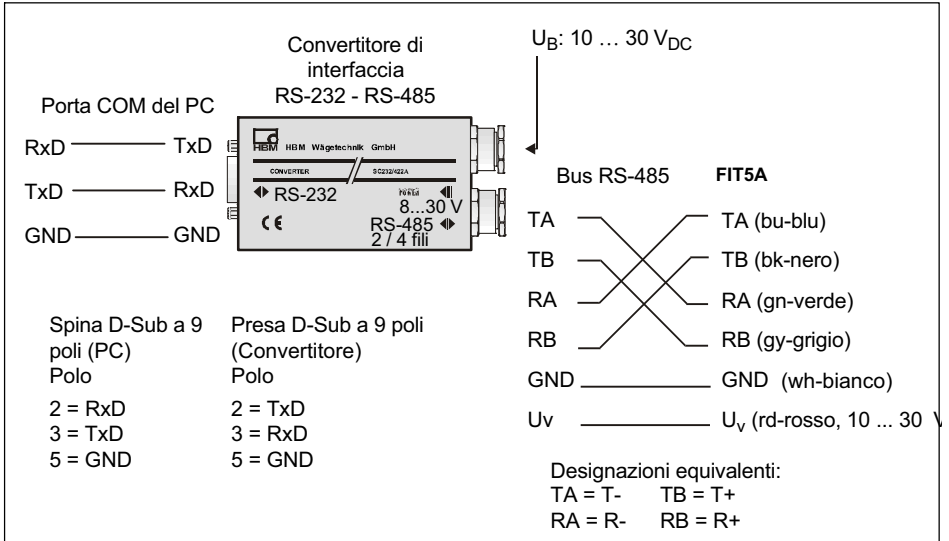


Fig. 6.2 Collegamento del PC mediante il Convertitore di interfaccia della HBM

6.3 Collegamento dell'interfaccia CANopen

L'interfaccia soddisfa la norma CANopen-Standard DS301. L'indirizzo presunto della cella di carico è 63.

6.4 Collegamento dell'interfaccia DeviceNet

L'interfaccia soddisfa le Specifiche DeviceNet, Edizione 2.0 ODVA. L'indirizzo presunto della cella di carico è 63.

6.5 Collegamento dell'interfaccia Diagnostica

Con quest'interfaccia si possono leggere i valori memorizzati in tempo reale dalla funzione di diagnosi. L'indirizzo presunto della cella di carico è 31, il Baudrate è impostato fisso su 38600 Baud.

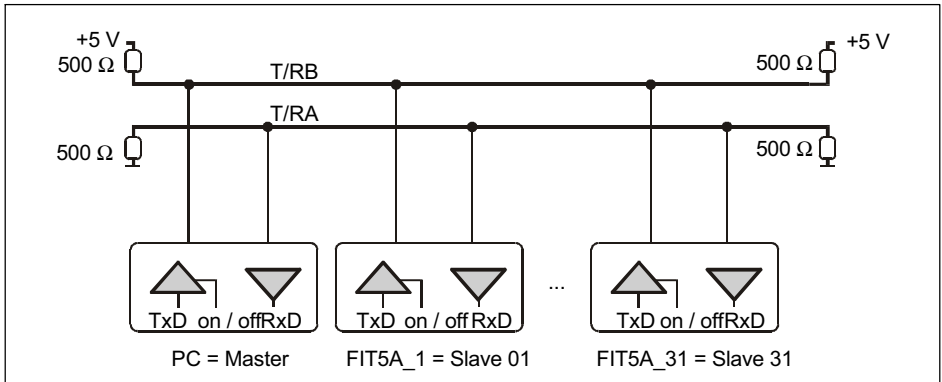


Fig. 6.3 Collegamento dell'interfaccia Diagnostica

7 Ingressi ed uscite

7.1 Ingressi

Collegare i segnali di controllo del rispettivo ingresso ed il potenziale di riferimento (GND). Nella versione standard, l'ingresso Trigger può essere controllato direttamente da un segnale logico (HCMOS), ma sono possibili anche tensioni fino a 12 V. Gli ingressi della presa fissa 2 sono idonei per i segnali di un PLC. In entrambi i casi, il potenziale di riferimento è il GND della presa fissa 1. La seguente tabella mostra l'assegnazione degli stati logici ai valori di tensione dell'ingresso. I livelli intermedi compresi fra quello High (alto) e quello Low (basso) di quelli specificati provocano stati di esercizio indefiniti!

	Ingresso Trigger	Ingressi IN1, IN2
Potenziale di riferimento	GND	GND
Livello High	>4 V	>10 V
Livello Low	<1 V	<6 V
Resistenza di ingresso	70 kΩ	9 kΩ

Funzione	Trigger esterno	Funzioni TAR, Break, RUN
Livello di riposo	Livelli High o Low ¹	Livello Low
Evento di attivazione	Transizione dal livello High al livello Low	Livello High, antirimbazzo ²

- 1) Livello stabile all'ingresso Trigger utilizzato. L'altra linea deve essere a livello Low o non collegata.
- 2) L'antirimbazzo dipende dalla funzione impostata (comando IMD), non dall'ingresso utilizzato (presa fissa 1 o 2).

7.2 Uscite

Il driver di uscita dei circuiti di uscita è un commutatore a semiconduttori compatibile PLC (High-Side-Driver). Il circuito deve essere alimentato da una tensione di esercizio esterna U_{B2} . Tutte le tensioni sono riferite al GND della presa fissa 1.

All'attivazione di un'uscita, viene inviato un livello positivo alla corrispondente linea di uscita, la cui tensione dipende da U_{B2} . Il carico collegato è disposto fra l'uscita ed il potenziale GND dell'alimentazione dei carichi di commutazione:



Importante

Alla presa fissa 2 non è disponibile alcun potenziale GND, si deve perciò collegare il potenziale di riferimento (GND) del circuito di carico con il GND della presa fissa 1.

Collegando il potenziale GND si devono distinguere due casi:

1. i blocchi di uscita, cioè la parte digitale per la commutazione delle uscite e la parte per l'alimentazione con la tensione di esercizio e la interfaccia, sono disposti in modo separato (Fig. 7.1),
2. ambedue i blocchi funzione si trovano all'interno di un armadio (Fig. 7.2).

Nel primo caso, assicurarsi che sia lo schermo delle due linee che anche il potenziale GND siano collegati ad un conduttore avente una sezione di almeno $1,5 \text{ mm}^2$. A tal scopo sono idonei sia cavi multipolari che cavetti singoli. Tuttavia i cavetti singoli non devono avere percorsi diversi, bensì essere riuniti collocandoli uno vicino all'altro. La lunghezza complessiva di una linea non deve superare i 10 m (Fig. 7.1).

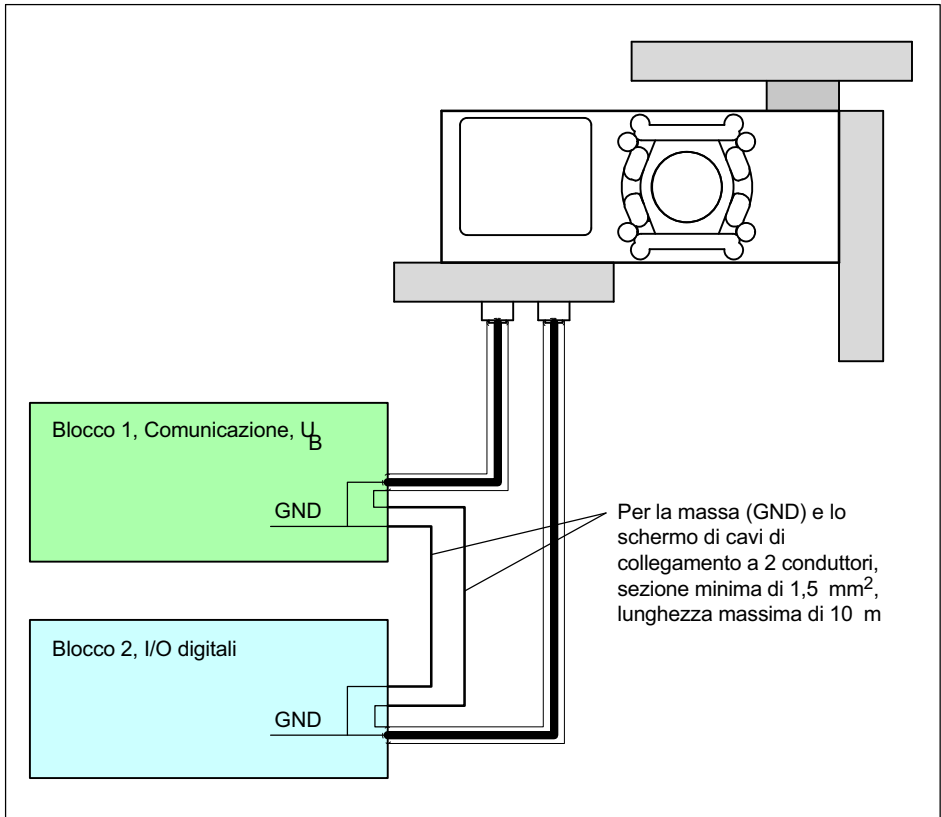


Fig. 7.1 Collegamento del potenziale GND per i blocchi funzione separati

Montando tutti i blocchi funzione all'interno di un armadio (Fig. 7.2 a pagina 20) assicurarsi che sia collegato il potenziale GND di ambedue i blocchi.

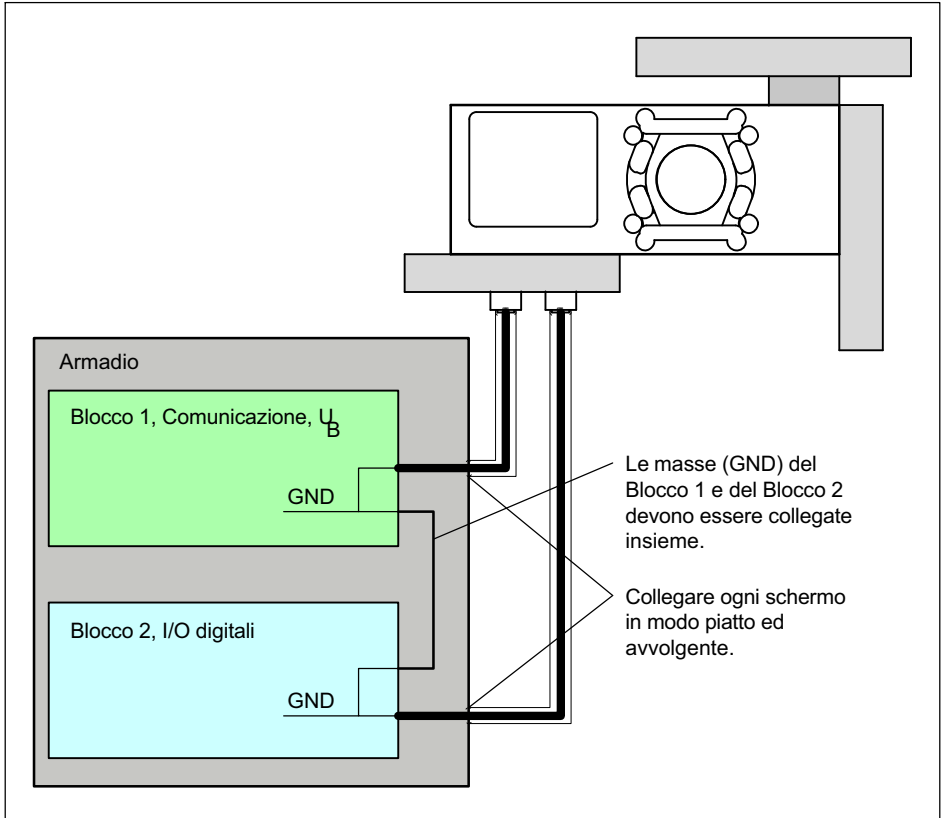


Fig. 7.2 Collegamento del potenziale GND per il montaggio all'interno di un armadio

8 Comandi tramite Software

Se necessario, scaricare il software per la parametrizzazione e visualizzazione dal sito web della HBM, sotto: www.hbm.com/support (pagina „Celle di carico digitali FIT ed Elettronica di pesatura AED“).

9 Smaltimento rifiuti e tutela dell'ambiente

Tutti i prodotti elettrici ed elettronici devono essere smaltiti come rifiuti speciali. Il corretto smaltimento degli strumenti obsoleti deve prevenire i danni all'ambiente ed i rischi per la salute.



Le apparecchiature elettriche ed elettroniche che portano questo simbolo sono soggette alla Direttiva Europea 2002/96/CE sui vecchi strumenti elettrici ed elettronici. Questo simbolo avverte che gli strumenti non più utilizzabili devono essere separati dalla normale spazzatura domestica in conformità alla normativa europea sulla tutela dell'ambiente e sul recupero delle materie prime.

Poiché le norme sullo smaltimento dei rifiuti variano da nazione a nazione, se necessario contattare il proprio fornitore per quanto concerne lo smaltimento od il riciclaggio nel vostro paese.

Imballaggi

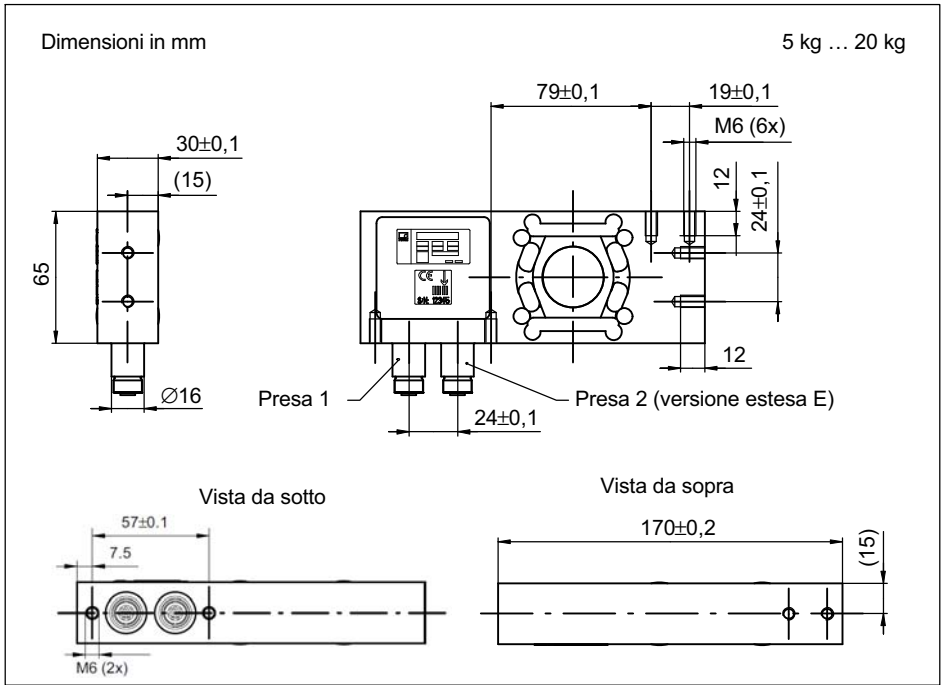
L'imballaggio originale degli strumenti HBM è di materiale riciclabile e può pertanto essere riutilizzato. Comunque, conservare l'imballaggio per almeno tutto il tempo di validità della garanzia.

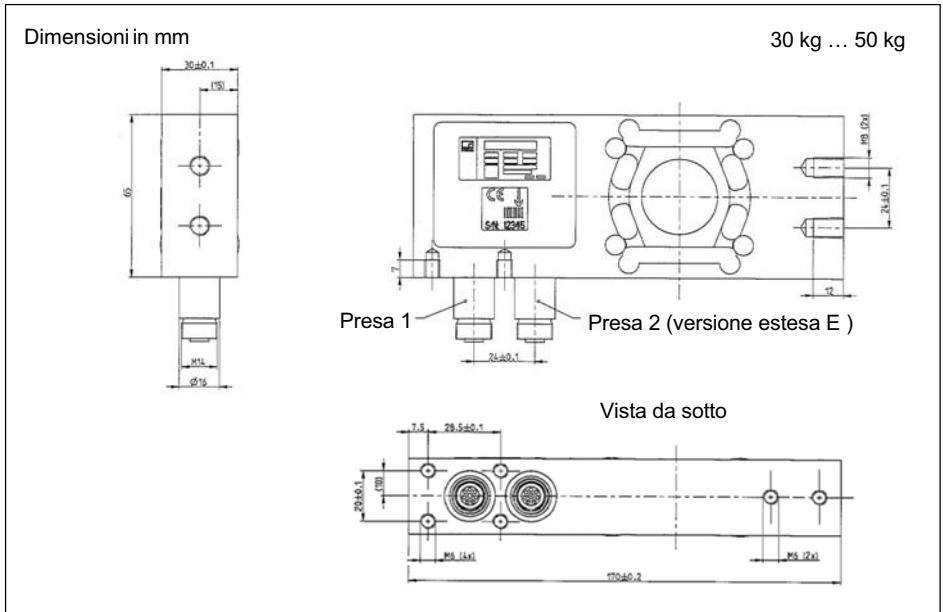
Per ragioni ecologiche, si prega di non restituire alla HBM gli imballaggi vuoti.

10 Dati tecnici

Il prospetto dati corrente si trova nel sito web della HBM sotto: www.hbm.com/HBMdoc.

11 Dimensioni





HBM Test and Measurement

Tel. +49 6151 803-0

Fax +49 6151 803-9100

info@hbm.com

measure and predict with confidence



A3916-2.0 7-2004.3916 HBM: public

www.hbm.com