

# PWSE

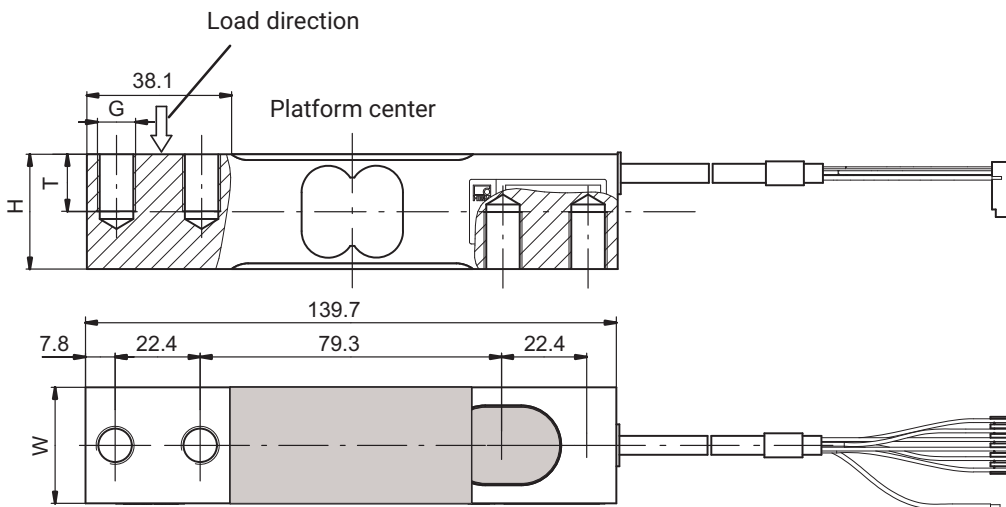
## Platform load cell

### SPECIAL FEATURES

- Maximum capacities 100 kg ... 750 kg
- Stainless steel
- High ratio of minimum verification interval Y
- Complies with EMC guidelines
- Six-wire configuration



### DIMENSIONS



Dimensions in mm (1 mm = 0.03937 inch)

Maximum capacity	H	W	G			T
			Thread	Min. property class	Tightening torque	
100 ... 200 kg	30.2	30.5	M10	10.9	66 N·m	15
300 kg	36.5	36.5	M10	10.9	66 N·m	19
500 ... 750 kg	36.5	36.5	M12	10.9	115 N·m	19

## SPECIFICATIONS

Type			PWSE				
Accuracy class <sup>1)</sup>			C3 Multi Range (MR)				
Max. number of scale intervals	$n_{LC}$		3000				
Maximum capacity <sup>1)</sup>	$E_{max}$	kg	100	200	300	500	750
Minimum scale division	$v_{min}$	g	10	20	20	50	50
Ratio of minimum verification interval	Y		10000	10000	15000	10000	15000
Temperature coefficient of zero signal <sup>3)</sup>	$TK_0$	% of $C_n / 10\text{ K}$	$\pm 0.0140$	$\pm 0.0140$	$\pm 0.0093$	$\pm 0.0140$	$\pm 0.0093$
Platform size		mm	600 x 800				
Maximum platform size			800 x 800				
Nominal (rated) sensitivity	$C_n$	mV/V	2.0 $\pm$ 0.2				
Zero signal (without initial load)			0 $\pm$ 0.1				
Temperature coefficient of sensitivity <sup>2)3)</sup> In the range +20 ... +40°C [+68 ... +104°F] In the range -10 ... +20°C [+14 ... +68°F]	$TK_C$	% of $C_n / 10\text{ K}$	$\pm 0.0170$ $\pm 0.0117$				
Relative reversibility error <sup>2)3)</sup>	$d_{hy}$	% of $C_n$	$\pm 0.0166$				
Relative linearity error <sup>2)3)</sup>	$d_{lin}$		$\pm 0.0166$				
Relative creep over 30 min	$d_{cr}$		$\pm 0.0166$				
Off-center load error <sup>3)</sup>			$\pm 0.0100$				
Input resistance	$R_{LC}$	$\Omega$	390 $\pm$ 15				
Output resistance	$R_O$		359 $\pm$ 10				
Reference excitation voltage	$U_{ref}$	V	5				
Nominal excitation voltage range	$B_U$		1 ... 12				
Maximum excitation voltage			15				
Insulation resistance at 100 V <sub>DC</sub>	$R_{is}$	G $\Omega$	> 2				
Nominal ambient temperature range	$B_{T,nom}$	°C	-10 ... +40				
Operating temperature range	$B_{T,G}$		-10 ... +50				
Storage temperature range	$B_{T,S}$		-25 ... +70				
Limit load at max. 100 mm eccentricity	$E_L$	% of $E_{max}$	150				
Limit lateral loading, static	$E_{lq}$		300				
Service load at max. 100 mm eccentricity	$E_u$		150				
Breaking load at max. 20 mm eccentricity	$E_d$		300				
Relative permissible oscillation stress at max. 20 mm eccentricity	$F_{srel}$		70				
Nominal (rated) displacement <sup>4)</sup>	$s_{nom}$		mm	< 0.5			
Weight, approx.	m	kg	0.9	0.9	1.1	1.2	1.2
Degree of protection <sup>5)</sup>			IP 67				
Cable length			Standard 3 m				
Material			Stainless steel 1.4545				
Measuring body			PVC				
Cable sheath			PVC				

1) As per OIML R60, with  $P_{LC} = 0.7$ .

2) The values for temperature coefficient of sensitivity ( $TK_C$ ), relative reversibility error ( $d_{hy}$ ) and non-linearity ( $d_{lin}$ ) are recommended values. The sum of these values is within the cumulative error limits according to OIML R60.

3) As per OIML R76.

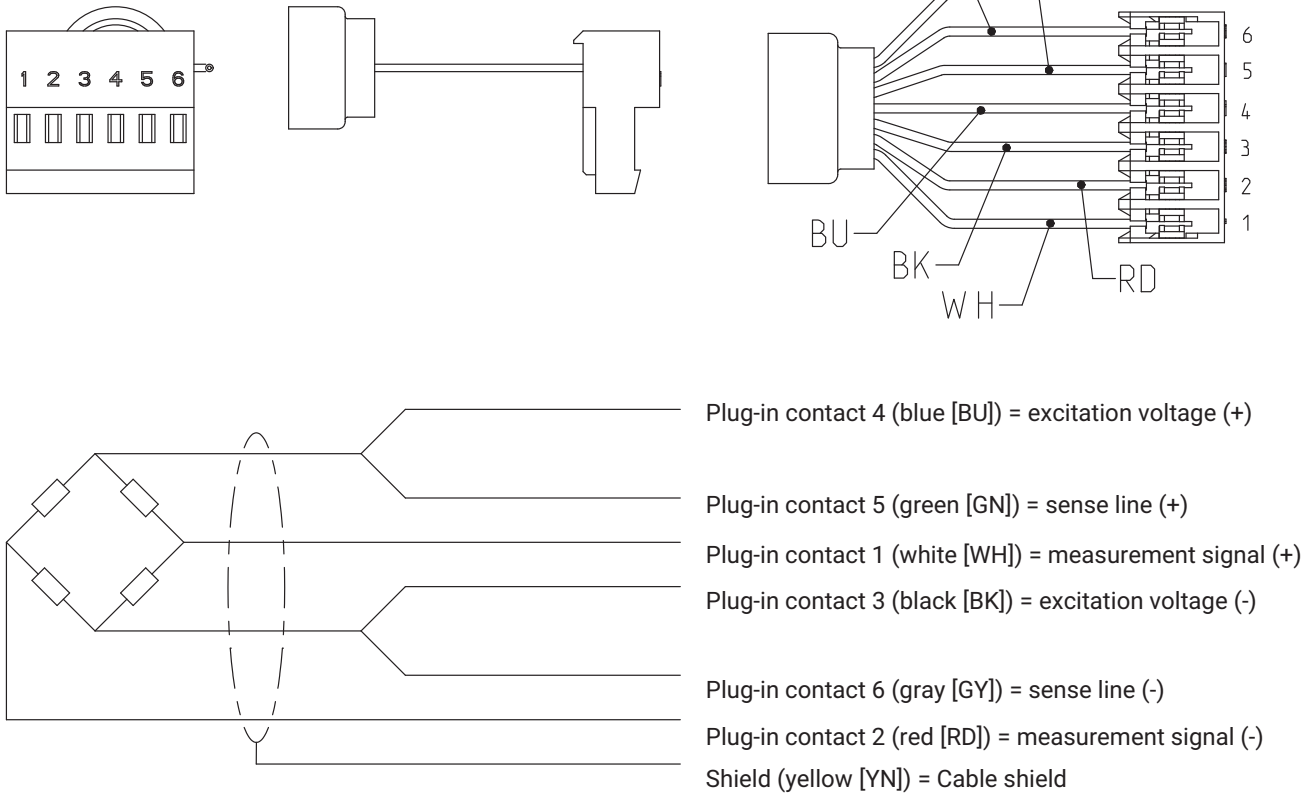
4) Loading with  $E_{max}$  and center of gravity in center of load cell.

5) As per EN 60529 (IEC529)

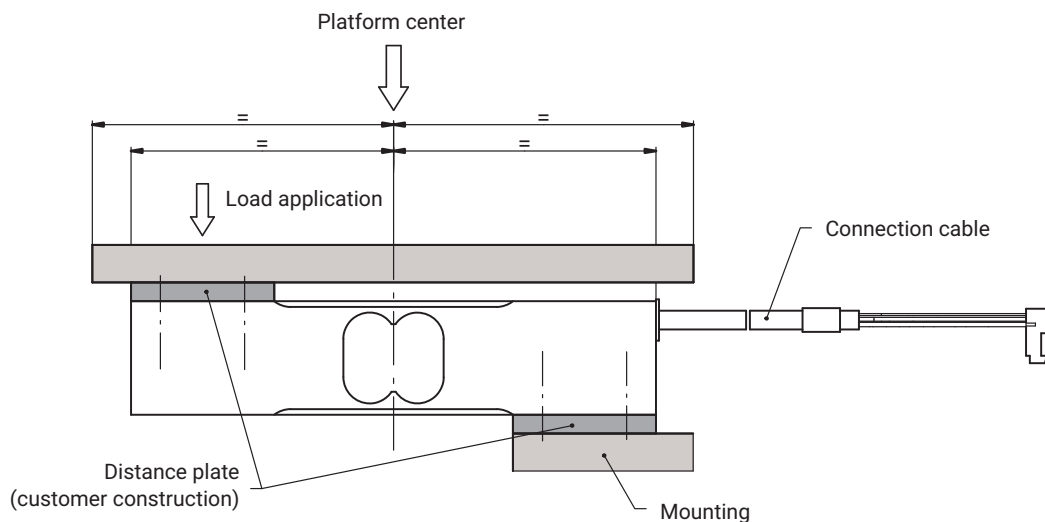
## CABLE ASSIGNMENT

### Connection with 6 wire cable, 6 x 0.14 mm<sup>2</sup>/AWG 264 (cable length 3 m)

Schematic diagram of a TE connector (TE 3-640442-6), 6-pin



## MOUNTING INSTRUCTIONS



## ORDER NUMBERS (OVERVIEW)

---

PWSE... (Stainless steel)

Type	PWSE standard versions
Accuracy class	C3-MR (OIML) (Multi Range)
Comments	Cable length 3m (six-wire configuration)
Maximum capacity	Order number
100 kg	1-PWSEC3/100KG-1
200 kg	1-PWSEC3/200KG-1
300 kg	1-PWSEC3/300KG-1
500 kg	1-PWSEC3/500KG-1
750 kg	1-PWSEC3/750KG-1

### Hottinger Brüel & Kjaer GmbH

Im Tiefen See 45 · 64293 Darmstadt · Germany  
Tel. +49 6151 803-0 · Fax +49 6151 803-9100  
www.hbkworld.com · info@hbkworl.com

Subject to modifications. All product descriptions are for general information only. They are not to be understood as a guarantee of quality or durability.