

# WE2107

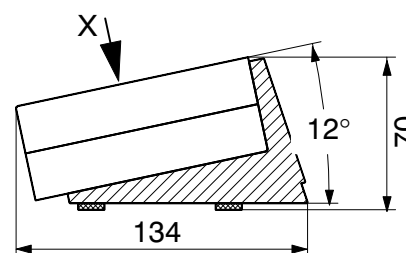
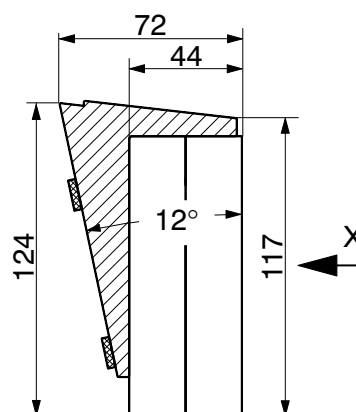
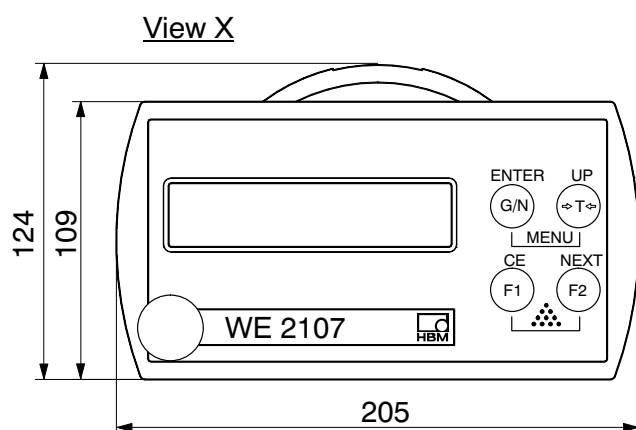
Weighing indicator  
(NAWI)

## Special features

- OIML test report to 6000 d
- Use as 1, 2 or 3-range scale
- Four limit value switches with hysteresis
- RS 232 interface
- Two digital control inputs
- Four digital outputs (limit value switches or filling/batching control)
- Degree of protection IP65



Dimensions (in mm; 1 mm = 0.03937 inches)



# Specifications

Type		WE2107	
Max. number of calibration values as per OIML R76 (Class III, IIII)	d = e	6000; Multirange	
Multi-range application	d = e	2x3000; 3x2000	
Input sensitivity	$\mu\text{V/e}$	$\geq 0.6^*)$	
Measuring range	mV/V	$\pm 2$ ; max. $\pm 3.2$	
Minimum load cell resistance	$\Omega$	58	
Maximum load cell resistance	$\Omega$	4000	
Load cell supply	$V_{\text{DC}}$	5	
Cable length between WE2107 and load cell(s)	m	max. 100 (206 m/mm <sup>2</sup> *)	
Data rate	Meas./s	200	
Filter, adjustable, FMD0	Cut-off frequency (-3 dB)	0.0625	0.125
	Settling time	0.25	0.5
	Cut-off frequency (-3 dB)	1	2
	Settling time	4	8
FMD1	Cut-off frequency (-3 dB)	2	2.5
	Settling time	3	4
	Cut-off frequency (-3 dB)	5	6
	Settling time	7	8
	Cut-off frequency (-3 dB)	10	15
	Settling time	140	160
Voltage supply without connected analog output	$V_{\text{DC}}$	12...30; 24 nominal	
Voltage supply with connected analog output	$V_{\text{DC}}$	18 ... 30; 24 nominal	
Power consumption (incl. lighting)	W	6	
Display		LCD with backlighting	
Character height	mm	20	
Status display		Zero, net, standstill, unit, range	
Keys		Membrane keypad (tactile feedback)	
Number of digital inputs		2	
Input voltage IN1/2, Low	V	0...1.0	
Input voltage IN1/2, High	V	3...30	
Input resistance	k $\Omega$	10	
Number of digital outputs (High side switch)		4	
Max. output current/output	A	0.6	
Voltage supply, outputs	V	12...30; 24 nominal	
Interface (COM1)		RS 232	
Baud rate, adjustable	Bd	1200 ... 38400	
Interface functions (COM2)		Print, serial display (automatic output), PC connection via RS 232	
Analog output	mA	4 ... 20	
Burden	$\Omega$	100 ... 500	
Resolution	bit	10	
Nominal (rated) temperature range	$^{\circ}\text{C}$	-10 ... +50 (-10 ... +40) <sup>*)</sup>	
Operating temperature range	$^{\circ}\text{C}$	-20 ... +60	
Storage temperature range	$^{\circ}\text{C}$	-40 ... +85	
Connection/screw connection		4xPG7	
Weight, approx.	kg	1	
Degree of protection per EN 60 529 (IEC 529)		IP65	
Interference immunity (EMC) as per EN 45 501 (3 V/m)		Additionally tested to 10 V/m	
Housing material		ABS, halogen-free	

<sup>\*)</sup> in accordance with OIML R76, legal for trade

Order No.: 1-WE2107-1

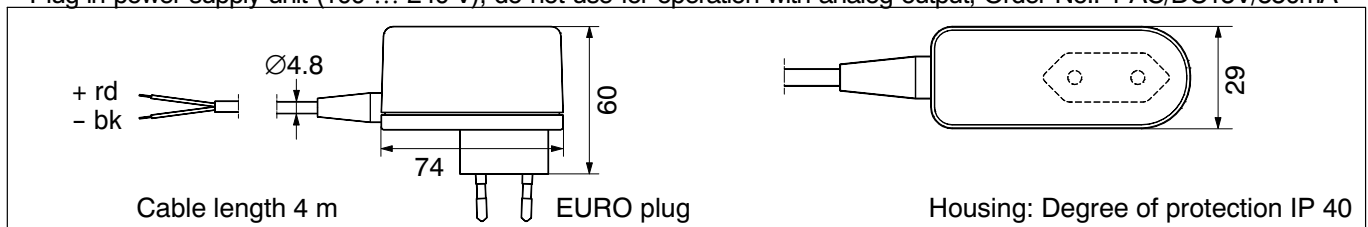
## Accessories

Included in scope of supply:

- CD ROM with WE2107 Panel Program, Command description for PC connection and documentation

To be ordered separately:

- Plug-in power supply unit (100 ... 240 V), do not use for operation with analog output, Order No.: 1-AC/DC15V/550mA



Modifications reserved.

All product descriptions are for general information only. They are not to be understood as a guarantee of quality or durability and do not constitute any liability whatsoever.

## Hottinger Baldwin Messtechnik GmbH

Im Tiefen See 45 · 64293 Darmstadt · Germany  
Tel. +49 6151 803-0 · Fax: +49 6151 803-9100  
Email: [info@hbm.com](mailto:info@hbm.com) · [www.hbm.com](http://www.hbm.com)



measure and predict with confidence