

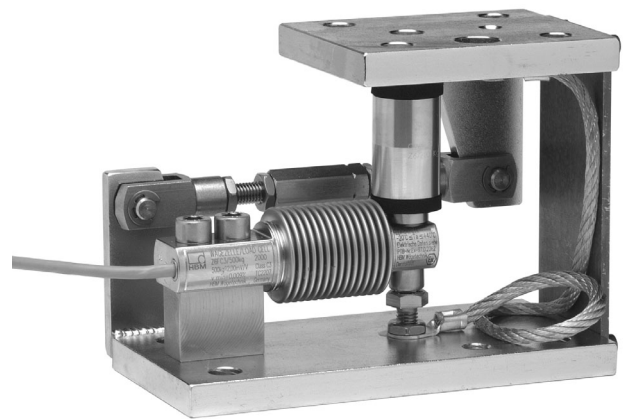
DATA SHEET

Z6AM

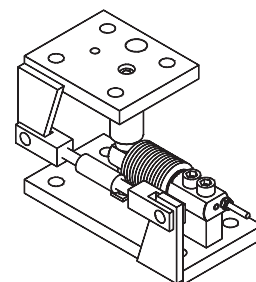
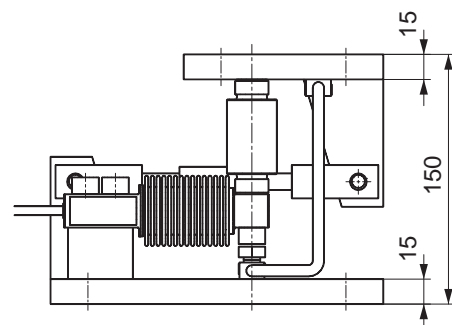
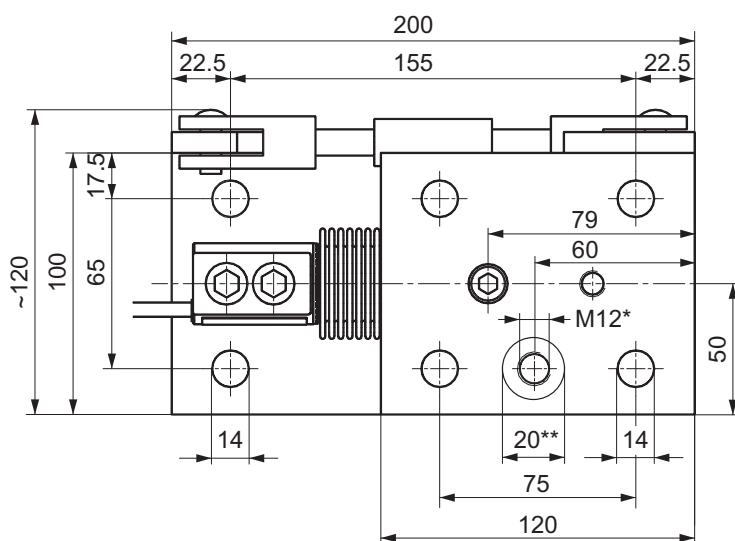
Weighing module for 50 kg ... 500 kg

SPECIAL FEATURES

- Equipped with Z6 load cells class C3, C4 or C6 as per OIML R60
- Optionally with Z6R load cells (IP69K) with C3 (OIML R60)
- With Overload stop and Transverse control arm
- Maintenance-free
- Compact installation at minimum installation height
- Easy installation
- Galvanized material and stainless steel version available
- Self-restoring due to pendle bearing
- Prepared for Lift-off securing device
- Explosion protection designs as per ATEX, IECEx and FM (US/CA)
- Optionally available with various cables or M12x1 male connector



DIMENSIONS (IN MM; 1 MM= 0.03937 INCHES)



* in base plate
** in top plate

SPECIFICATIONS OF THE WEIGHING MODULE Z6AM...

Maximum capacity	kg	50	100	200	500
Limit load	% of Maximum capacity	150			
Restoring force (at 1 mm side offset)	% of Applied load	2.8			
Maximum permissible side offset transverse to the control arm axis	mm	± 3.5			
Maximum permissible horizontal force in the control arm direction	kN	5			
Material		Galvanized or Stainless steel			
Weight (depending on the version, incl. load cell)	kg	8...9			
Adjustment range of the overload stop	mm	≤0.35	≤0.25	≤0.45	≤0.8

For technical data and additional information on the appropriate load cells, please refer to the Data sheet Z6F...

OPTIONS FOR Z6AM

Explosion protection versions as per ATEX, IECEx and FM (US/CA)

- AI1/21 ATEX+IECEX+FM Zone 1/21, intrinsically safe;
 - ATEX/IECEX: II 2G Ex ia IIC T6/T4 Gb + II 2D Ex ia IIIC T125°C Db;
 - FM(US/CA): Class I Zone 1 AEx/Ex ia IIC T4 Gb + Zone 21 AEx/Ex ia IIIC T125°C Db;
 - FM(US): Class I, II, III Division 1, Groups A, B, C, D, E, F, G T4
- AI2/21 ATEX+IECEX Zone 2/21, not intrinsically safe;
 - ATEX/IECEX: II 3G Ex ec IIC T6/T4 Gc + II 2D Ex tb IIIC T125°C Db
- AI2/21_F ATEX+IECEX Zone 2/21, not intrinsically safe;
 - ATEX/IECEX: II 3G Ex ec IIC T6/T4 Gc + II 2D Ex tb IIIC T125°C Db
 - FM(US): Class I, II, III Division 2, Groups A, B, C, D, F, G T4

SURVEY OF ORDERING CODES

K-Z6AM-		
1	Code	Option 1: Material
	V	Galvanized
	R	Rustless
2	Code	Option 2: Accuracy class
	C3	Class C3
	C4	Class C4 [not with option 5 = 3PUR/DC3/N, only with option 7 = Z6]
	C6	Class C6 [not with option 5 = 3PUR/DC3/N, only with option 7 = Z6]
3	Code	Option 3: Maximum capacity
	50	50 kg
	100	100 kg
	200	200 kg
	500	500 kg [not with option 2 = C6 and only with option 7 = Z6]
4	Code	Option 4: Explosion protection
	N	No explosion protection
	A11/21	ATEX+IECEX+FM Zone 1/21 [not with option 5 = 3PUR/DC3/N]
	A12/21	ATEX+IECEX Zone 2/21 [not with option 5 = 3PUR/DC3/N]
	A12/21_F	ATEX+IECEX + FM Zone 2/21 [not with option 2 = C4/C6, not with option 5 = 3PUR/DC3/N, only with option 7 = Z6]
5	Code	Option 5: Cable length
	S3	3 m (Standard), PVC (gray)
	6	6 m PVC (gray)
	12	12 m PVC (gray)
	3T	3 m TPE cable sheath (red) [only with option 7 = Z6R]
	6T	6 m TPE cable sheath (red) [only with option 7 = Z6R]
	12T	12 m TPE cable sheath (red) [only with option 7 = Z6R]
	3PUR	3 m PUR cable sheath, hygienic, antibacterial (silver ions doped), halogen-free (black) [only with option 7 = Z6R]
	DC3	3 m drag chain cable (reduced installation length, PUR, black) [only with option 7 = Z6]
N	With M12x1 male connector	
6	Code	Option 6: Other
	N	Without
7	Code	Option 7: Load cell type
	Z6	Z6 load cell
	Z6_P	Z6 load cell with M12x1 male connector [only with option 5 = N]
	Z6R	Z6R load cell
	Z6R_P	Z6R load cell with M12x1 male connector [only with option 5 = N]
8	Code	Option 8: Ground cable
	N	Without
9	Code	Option 9: Country/Customer
	N	Without

K-Z6AM - - - - - - **N** - - **N** - **N**

1 2 3 4 5 6 7 8 9

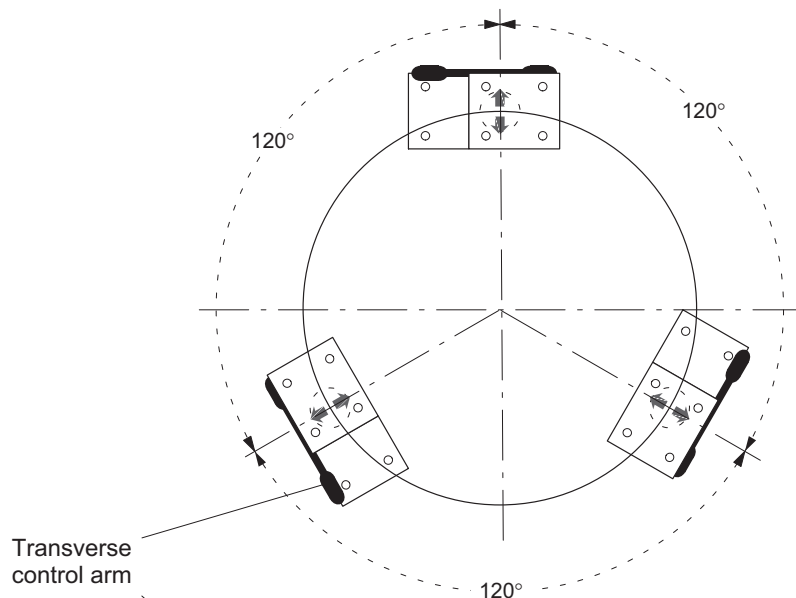
Not all codes can be combined with one another. Take note of the conditions in square brackets!

SCOPE OF SUPPLY

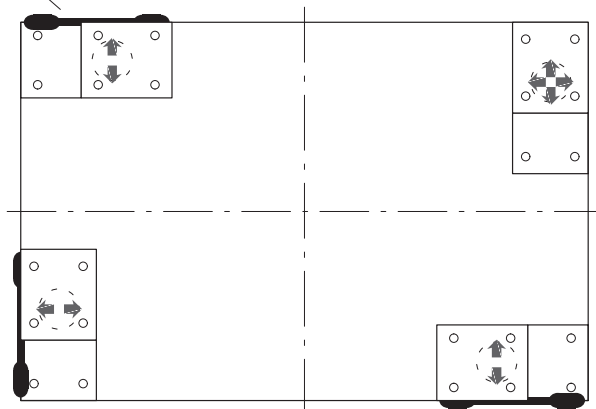
Weighing module with load cell Z6 or Z6R fully assembled with stay rod, pendulum and ground cable.

MOUNTING EXAMPLES FOR WEIGHING MODULES WITH TRANSVERSE CONTROL ARMS

Arrangement of the weighing modules below cylindrical tanks



Rectangular arrangement of the weighing modules below tanks



Attention

The represented bearing arrangements consider only weighing-technical criteria. The carrying and stability must be examined and guaranteed in each case by the operator.

Hottinger Brüel & Kjaer GmbH

Im Tiefen See 45 · 64293 Darmstadt · Germany
Tel. +49 6151 803-0 · Fax +49 6151 803-9100
www.hbkworld.com · info@hbkworl.com

Subject to modifications. All product descriptions are for general information only. They are not to be understood as a guarantee of quality or durability.