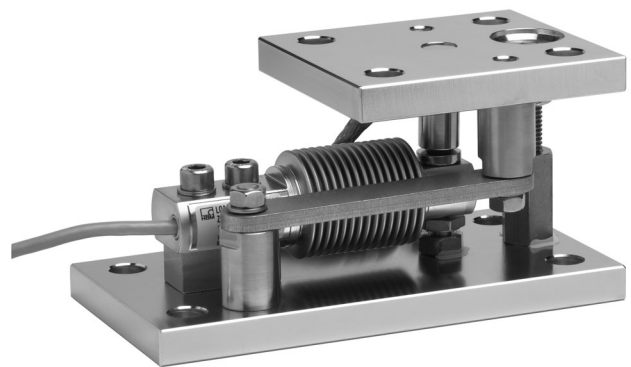


DATA SHEET

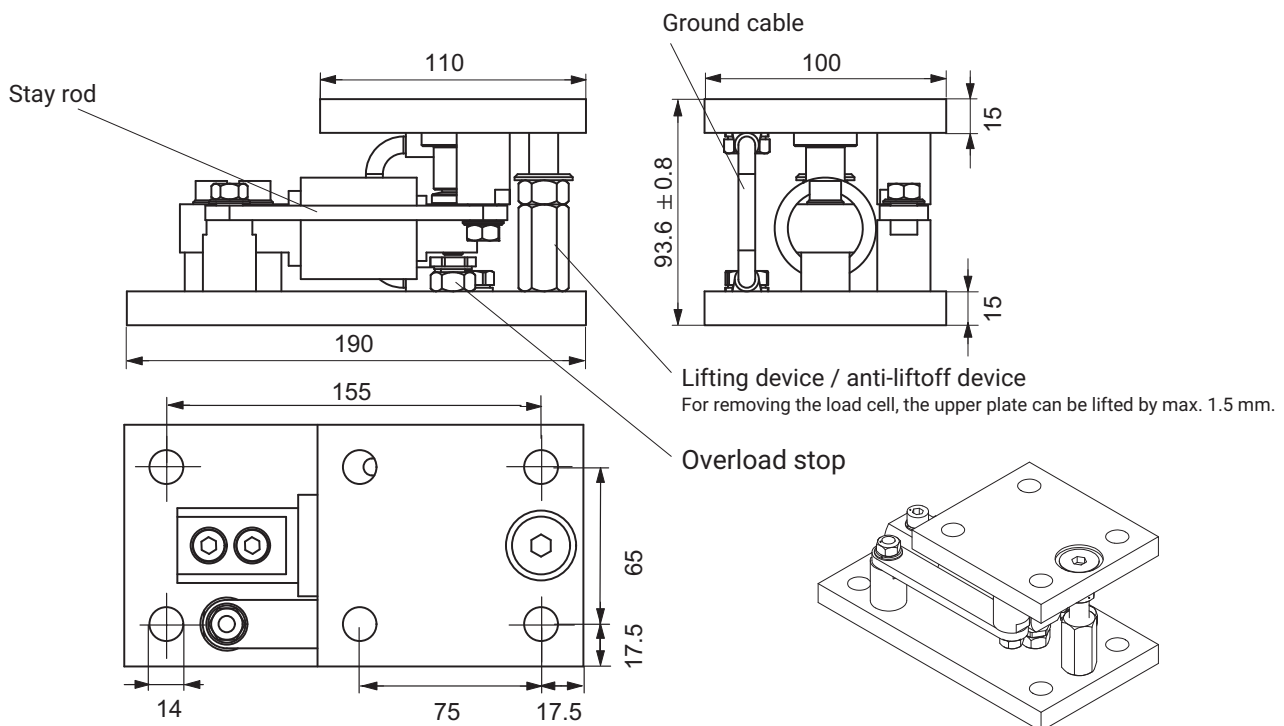
Z6/M... Weighing module for 30 kg ... 500 kg

SPECIAL FEATURES

- Equipped with load cell Z6F or Z6R, up to class C3 as per OIML R60
- With overload stop and stay rod
- Maintenance-free
- Compact installation at minimum height
- Easy installation
- Two versions available: Galvanized material or Stainless steel (preferred types)
- Self-restoring due to pendulum bearing
- With anti-liftoff device and lifting device
- Explosion protection versions as per ATEX, IECEx and FM (US/CA)
- Load cell optionally available with M12x1 male connector



DIMENSIONS (IN MM, 1MM = 0.03937 INCHES)



SPECIFICATIONS OF THE WEIGHING MODULE Z6/M...

Maximum capacity	kg	30	50	100	200	50
Limit load	% of Max. capacity	150				
Breaking load	% of Max. capacity	200				
Restoring force (at 1 mm side offset)	% of applied load	6.1				
Max. side offset transverse to the stay rod axis¹⁾	mm	± 1.5				
Max. static horizontal force in the stay rod direction	kN	5				
Max. lift-off force	kN	5				
Material		Galvanized or Stainless steel ²⁾				
Weight depending on the version, incl. load cell	kg	8...9				
Adjustment range of the overload stop	mm	≤0.36	≤0.35	≤0.25	≤0.45	≤0.8

1) When horizontal adjustment the upper module plate

2) As per EN 10088-1

For more information on the corresponding load cells, see the Z6F... data sheet

OPTIONS FOR Z6/M

Explosion protection versions as per ATEX, IECEx and FM (US/CA)

- AI1/21 ATEX+IECEx+FM Zone 1/21, intrinsically safe;
 - ATEX/IECEx: II 2G Ex ia IIC T6/T4 Gb + II 2D Ex ia IIIC T125°C Db;
 - FM(US/CA): Class I Zone 1 AEx/Ex ia IIC T4 Gb + Zone 21 AEx/Ex ia IIIC T125°C Db;
 - FM(US): Class I, II, III Division 1, Groups A, B, C, D, E, F, G T4
- AI2/21 ATEX+IECEx Zone 2/21, not intrinsically safe;
 - ATEX/IECEx: II 3G Ex ec IIC T6/T4 Gc + II 2D Ex tb IIIC T125°C Db
- AI2/21_F ATEX+IECEx Zone 2/21, not intrinsically safe;
 - ATEX/IECEx: II 3G Ex ec IIC T6/T4 Gc + II 2D Ex tb IIIC T125°C Db
 - FM(US): Class I, II, III Division 2, Groups A, B, C, D, E, F, G T4

PLACING ORDERS

When placing an order please specify the ordering numbers from the tables. If you need other versions (accuracy classes, explosion protection, other cable lengths or materials, etc.) for the available products, please look in the overview "Z6/M-Modules (incl. load cell Z6FC3...), optional versions". You can generate a specific ordering number there from your individual requirements.

Ordering codes Z6/M-Modules (incl. load cell Z6FC3...), preferred types

Type	Z6/M
Material	Stainless steel ¹⁾
Accuracy class	C3 (OIML)
Max. capacities	Order-no.
30 kg	1-Z6/M3LBR30KG
50 kg	1-Z6/M3LBR50KG
100 kg	1-Z6/M3LBR100KG
200 kg	1-Z6/M3LBR200KG
500 kg	1-Z6/M3LBR500KG

¹⁾ As per EN 10088-1

Z6/M-MODULES (INCL. LOAD CELL Z6FC3...), OPTIONAL VERSIONS

K-Z6M-		
1	Code	Option 1: Material
	R	Stainless
	V	Galvanized
2	Code	Option 2: Accuracy class
	D1	D1 (OIML) [only with option 7 = Z6]
	C3	C3 (OIML)
3	Code	Option 3: Maximum capacity
	30	30 kg [not with option 4 = AI2/21_F, only with option 7 = Z6]
	50	50 kg
	100	100 kg
	200	200 kg
	500	500 kg
4	Code	Option 4: Explosion protection
	N	No explosion protection
	AI1/21	ATEX+IECEEx+FM Zone 1/21
	AI2/21	ATEX+IECEEx Zone 2/21
	AI2/21_F	ATEX+IECEEx + FM Zone 2/21 [not with option 5 = 3PUR/DC3/N, only with option 7 = Z6]
5	Code	Option 5: Cable length
	S3	3 m (Standard), PVC (gray)
	6	6 m PVC (gray)
	12	12 m PVC (gray)
	3T	3 m TPE cable sheath (red) [only with option 7 = Z6R]
	6T	6 m TPE cable sheath (red) [only with option 7 = Z6R]
	12T	12 m TPE cable sheath (red) [only with option 7 = Z6R]
	3PUR	3 m PUR cable sheath, hygienic, antibacterial (silver ions doped), halogen-free (black) [only with option 7 = Z6R]

	DC3	3 m drag chain cable (reduced installation length, PUR, black) [only with option 7 = Z6]
	N	With M12x1 male connector
6	Code	Option 6: Other
	N	Without
7	Code	Option 7: Load cell type
	Z6	Z6 load cell
	Z6_P	Z6 load cell with M12x1 male connector [only with option 5 = N]
	Z6R	Z6R load cell
	Z6R_P	Z6R load cell with M12x1 male connector [only with option 5 = N]
8	Code	Option 8: Ground cable
	N	Without
9	Code	Option 9: Country/Customer
	N	Without

K-Z6M - - - - - - - - -

1 2 3 4 5 6 7 8 9

Not all codes can be combines with each other. Please take heed of the terms in the square brackets!

MOUNTING EXAMPLE OF WEIGHING MODULES WITH STAY RODS:

