

ENGLISH DEUTSCH FRANÇAIS

Mounting Instructions Montageanleitung Notice de montage



Z6R, Z6R-P

Hottinger Brüel & Kjaer GmbH
Im Tiefen See 45
D-64293 Darmstadt
Tel. +49 6151 803-0
Fax +49 6151 803-9100
info@hbkworl.com
www.hbkworl.com

Mat.: 7-0201.0017-1
DVS: A04514 04 Y00 00
07.2023

© Hottinger Brüel & Kjaer GmbH

Subject to modifications.
All product descriptions are for general information only. They are not to be understood as a guarantee of quality or durability.

Änderungen vorbehalten.
Alle Angaben beschreiben unsere Produkte in allgemeiner Form. Sie stellen keine Beschaffenheits- oder Haltbarkeitsgarantie dar.

Sous réserve de modifications.
Les caractéristiques indiquées ne décrivent nos produits que sous une forme générale. Elles n'impliquent aucune garantie de qualité ou de durabilité.

ENGLISH DEUTSCH FRANÇAIS

Mounting Instructions



Z6R, Z6R-P

TABLE OF CONTENTS

1	Safety instructions	3
2	Markings used	5
2.1	The markings used in this document	5
2.2	Symbols on the device	5
3	Conditions on site	6
4	Mechanical installation	7
4.1	Important precautions during installation	7
4.2	Mounting and load application	7
5	Electrical connection	9
5.1	Cable assignment six-wire configuration	9
5.2	Plug connection in a six-wire configuration	9
5.3	Cable assignment four-wire configuration	10
5.4	Shortening the cable	11
5.5	Cable extension	11
5.6	Parallel connection	11
5.7	EMC protection	11
6	Waste disposal, environmental protection	13
7	Specifications	14
8	Dimensions	16
9	Accessories	18
9.1	Oscillating loading foot PCX	18
9.2	Oscillating loading foot ZKP	19
9.3	Knuckle eye ZGWR	20
9.4	Cone, conical pan ZK	21
9.5	Pendulum bearing ZPL	22
9.6	Rubber-metal bearing ZEL	23
9.7	Mounting base / mounting kit	24

1 SAFETY INSTRUCTIONS

Appropriate use

Transducers of the Z6R/Z6R-P type series are designed solely for technical weighing applications within the application limits detailed in the specifications. Any other use is not appropriate.

Any person instructed to carry out installation, commissioning or operation of the transducer must have read and understood the Operating Manual and in particular the technical safety instructions.

In the interests of safety, the transducer should only be operated by qualified personnel and as described in the Operating Manual. It is also essential to comply with the legal and safety requirements for the application concerned during use. The same applies to the use of accessories.

The transducer is not intended for use as a safety component. Please also refer to the section: "Additional safety precautions". Proper and safe operation requires proper transportation, correct storage, siting and mounting, and careful operation.

Operating conditions

- Please observe the permissible maximum values stated in the specifications for:
 - Limit load
 - Limit lateral loading
 - Breaking loads
 - Temperature limits
 - Limits of electrical loading capacity
- Note, that when several transducers are installed in a scale, there is not always an even distribution of load on the individual transducers.
- The transducers can be used as machine elements. When used in this manner, it must be noted that, to favor greater sensitivity, the transducer is not designed with the safety factors usual in mechanical engineering.
- The transducer must not be modified from the design or safety engineering point of view except with our express agreement.
- The transducer is maintenance-free.
- In accordance with national and local environmental protection and material recovery and recycling regulations, old transducers that can no longer be used must be disposed of separately and not with normal household garbage, see *Chapter 6, Page 13*.

Explosion protection version option

- Comply with the relevant code of practice during installation.
- Comply with the installation conditions cited in the Certificate of Conformity and/or the Type Certificate.

Qualified personnel

Qualified persons means persons entrusted with the installation, fitting, commissioning and operation of the product who possess the appropriate qualifications for their function.

This includes people who meet at least one of the three following requirements:

- Knowledge of the safety concepts of measurement and automation technology is a requirement and as project personnel, they must be familiar with these concepts.
- As measurement or automation plant operating personnel, they have been instructed how to handle the machinery. They are familiar with the operation of the equipment and technologies described in this documentation.
- As commissioning engineers or service engineers, they have successfully completed the training to qualify them to repair the automation systems. They are also authorized to activate, ground and label circuits and equipment in accordance with safety engineering standards.

Additional safety precautions

Additional safety precautions to meet the requirements of the relevant national and local accident prevention regulations must be taken in plants where malfunctions could cause major damage, loss of data or even personal injury.

The scope of supply and performance of the transducer covers only a small area of measurement technology. Before starting up the transducer in a system, a project planning and risk analysis must first be implemented, taking into account all the safety aspects of measurement and automation technology so that residual risks are minimized. This particularly concerns personal and machine protection. The transducers function passively and cannot implement any (safety-relevant) cutoffs. In the event of a fault, the relevant precautions must establish safe operating conditions.





General dangers of failing to follow the safety instructions

The transducer corresponds to the state of the art and is failsafe. The transducer may give rise to residual dangers if it is inappropriately installed or operated.

2 MARKINGS USED

2.1 The markings used in this document

Important instructions for your safety are specifically identified. It is essential to follow these instructions in order to prevent accidents and damage to property.

Symbol	Significance
 WARNING	This marking warns of a <i>potentially</i> dangerous situation in which failure to comply with safety requirements <i>can</i> result in death or serious physical injury.
Notice	This marking draws your attention to a situation in which failure to comply with safety requirements <i>can</i> lead to damage to property.
 Important	This marking draws your attention to <i>important</i> information about the product or about handling the product.
 Tip	This marking indicates application tips or other information that is useful to you.
 Information	This marking draws your attention to information about the product or about handling the product.
<i>Emphasis</i> See ...	Italics are used to emphasize and highlight text and identify references to sections, diagrams, or external documents and files.

2.2 Symbols on the device

CE certification



The CE mark enables the manufacturer to guarantee that the product complies with the requirements of the relevant EU directives (the Declaration of Conformity can be found on the HBK website www.hbm.com or www.hbkworld.com).

3 CONDITIONS ON SITE

Series Z6R/Z6R-P load cells are hermetically encapsulated and are therefore not at all sensitive to the influence of moisture and humidity. Nevertheless, the load cells must be protected against constant humidity and moisture.

Protection against corrosion

The load cell must be protected against chemicals that could attack the transducer body steel, or the cable.

Notice

Acids and all substances that release ions also attack stainless steels and their welded seams.

Should there be any corrosion, this could cause the transducer to fail. If this is the case, you must provide appropriate means of protection.

Deposits

Dust, dirt and other foreign matter must not be allowed to accumulate sufficiently to divert some of the measuring force onto the housing, thus invalidating the measured value (force shunt).

4 MECHANICAL INSTALLATION

4.1 Important precautions during installation

- Handle the transducer with care.
- Welding currents must not be allowed to flow over the transducer. If there is a risk that this might happen, you must provide a suitable low-ohm connection to electrically bypass the transducer. HBK, for example, provides the highly flexible EEK ground cable, which can be screwed on above and below the transducer.
- Make sure that the transducer cannot be overloaded.

WARNING

There is a danger of the transducer breaking if it is overloaded. This can cause danger for the operating personnel of the system in which the transducer is installed.

Implement appropriate safety measures to avoid overloads or to protect against the resulting dangers.

Notice

Load cells are precision measuring elements and need to be handled carefully. Dropping or knocking the transducer may cause permanent damage. Make sure that the transducer cannot be overloaded, including while it is being mounted.

4.2 Mounting and load application

Attach the load cells at the mounting holes and apply load to the other end. The screws and tightening torques to be used are given in the following table:

Maximum capacities	Thread	Min. property class	Tightening torque 1))
20 ... 200 kg	M8	10.9	34 N·m

1)) Recommended value for the specified property class. Please comply with the screw manufacturer's instructions with regard to screw dimensions.



Important

Load must not be applied to the side where the cable connection is located, as this would cause a force shunt.

The load must act as accurately as possible in the direction of measurement. Torsional moments, eccentric loads and lateral or side forces cause measurement errors and can permanently damage the load cell. Catch such interference effects, e.g. using lateral stay bars or guide rollers, but ensure that these elements do not absorb any load or force components in the direction of measurement (force shunt which will in turn lead to measurement errors).

To minimize error effects from load application, HBK offers different load application elements, according to the mounting conditions:

- Pendulum bearing ZPL (1-Z6/200kg/ZPL) (for nominal rated loads 20 kg ... 200 kg)
- Knuckle eyes ZGWR (1-Z6/200kg/ZGWR) (for nominal rated loads 20 kg ... 200 kg)
- Rubber-metal bearing ZEL (1-Z6/200kg/ZEL) (for nominal rated loads 20 kg ... 200 kg)
- Cone/conical pan ZK (1-Z6/200kg/ZK) (for nominal rated loads 20 kg ... 200 kg)
- Oscillating loading foot PCX (1-Z6/PCX/500kgSet) (for nominal rated loads 20 kg ... 200 kg)
- Oscillating loading foot ZKP (1-Z6/ZKP/200kg) (for nominal rated loads 20 kg ... 200 kg)
- Mounting plate / Mounting set ZPU (1-Z6/ZPU/200kg) (for nominal rated loads 20 kg ... 200 kg)

5 ELECTRICAL CONNECTION

The following can be connected for measurement signal conditioning:

- carrier-frequency amplifiers
- DC amplifiers

designed for strain gauge measurement systems.

The load cells are delivered with a six-wire configuration.

5.1 Cable assignment six-wire configuration

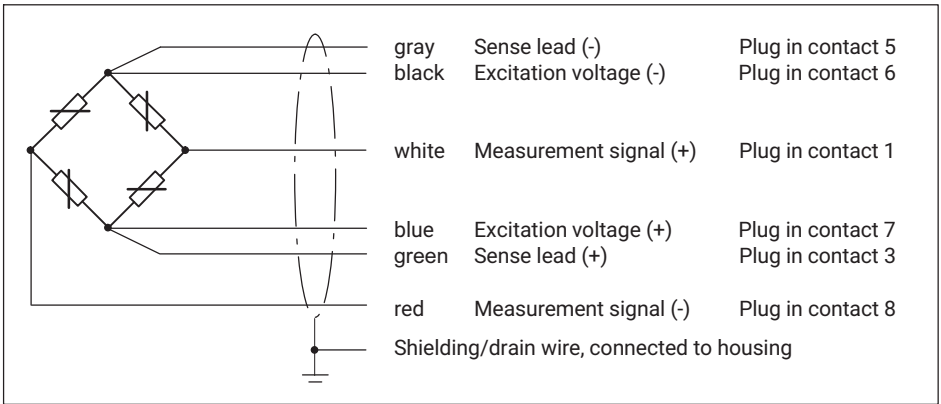
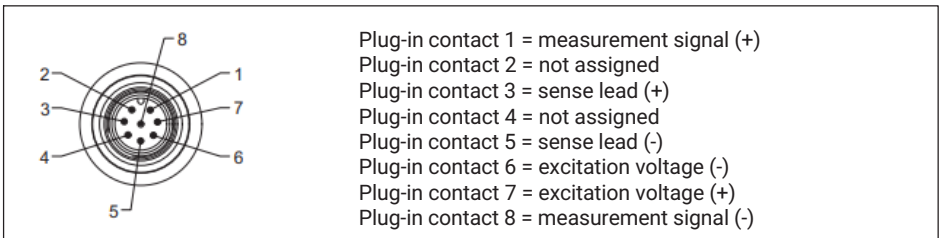


Fig. 5.1 Pin assignment

With this connector pin assignment, the output voltage at the measuring amplifier is positive when the transducer is loaded.

5.2 Plug connection in a six-wire configuration

Pin assignment for Z6R-P (Z6R load cell with M12x1 male connector)



Matching couplings (jack + cable) from HBK:

Pin assignment for 1-KAB168		Pin assignment for 1-KAB175		Plug in contact
Wire color	Connection	Wire color	Connection	
White	Measurement signal (+)	White	Measurement signal (+)	1
Red	Measurement signal (-)	Red	Measurement signal (-)	8
Blue	Excitation voltage (+)	Blue	Excitation voltage (+)	7
Pink	Excitation voltage (-)	Black	Excitation voltage (-)	6
Green	Sense lead (+)	Green	Sense lead (+)	3
Gray	Sense lead (-)	Gray	Sense lead (-)	5
Yellow	Not in use			-
Brown	Not in use			-

Couplings	
Coupling with male connector M12 F, 8-pin, TPU IP67, cable sheath PUR, 5 m long	1-KAB168-5
Coupling with male connector M12 F, 8-pin, TPU IP67, cable sheath PUR, 20 m long	1-KAB168-20
Coupling with male connector M12 F, 8-pin, stainless steel, IP68/69, Hygienic design, 3 m long	1-KAB175-3-1
Coupling with male connector M12 F, 8-pin, stainless steel, IP68/69, Hygienic design, 6 m long	1-KAB175-6-1
Coupling with male connector M12 F, 8-pin, stainless steel, IP68/69, Hygienic design, 12 m long	1-KAB175-12-1

5.3 Cable assignment four-wire configuration

When transducers in a six-wire configuration are connected to amplifiers in a four-wire configuration, the sense leads of the transducer must be connected to the corresponding excitation voltage leads: Marking (+) with (+) and marking (-) with (-), see *Fig. 5.1*. This measure also reduces the cable resistance of the excitation voltage leads. However, there will be a voltage loss on the supply leads due to the cable resistance that is still present and not compensated for by the six-wire configuration. A large part of this loss can be eliminated by a calibration, however, the temperature-dependent part remains.



Important

The TC_s value given in the specifications for the transducer therefore does not apply for the cable and transducer combination when connection is in a four-wire configuration, where the cable percentage must be added.

The following deviations occur in the case of an uncut cable (3 m):

- Sensitivity approx. -0.2%
- TC_s approx. -0.01% per 10 K.

5.4 Shortening the cable

If the transducer is connected to an amplifier in a six-wire configuration, the transducer cable can be shortened as required, without adversely affecting the measurement accuracy.

5.5 Cable extension

Only use shielded, low-capacitance measurement cables for extending. Ensure that connection is perfect, with a low contact resistance. The cable of a six-wire transducer can be extended with a cable of the same type.

Cable types recommended by HBK:

- KAB7.5/00-2/2/2 (by the meter, Order No. 4-3301.0071 for gray or 4-3301.0082 for blue version)
- CABA1 (cable roll, Order No. CABA1/20 = 20 m or CABA1/100 = 100 m long)

5.6 Parallel connection

Only load cells with an aligned output (nominal (rated) sensitivity and output resistance) are suitable for parallel connection. The load cells can be wired in parallel by joining the load cell cable core ends of the same color. For this purpose, type VKK junction boxes, also for explosion protection, are available in the HBK product line. The output signal is then the average of the individual output signals.



Important

Overloading in an individual load cell cannot then be detected from the output signal after load cells have been connected in parallel.

5.7 EMC protection

Electrical and magnetic fields often induce interference voltages in the measuring circuit. To ensure reliable measurement, however, the transducer must be able to transmit signal differences of a few μV to the analysis unit without interference.

Planning the shielding design

Due to the numerous application options and differing local constraints, we can only provide you with general information on correct connection. The shielding design suitable for your application must be planned locally by an appropriate specialist.

HBM load cells with shielded, round cables are EMC-tested in accordance with the EU Directive and bear the CE mark. Voltage surges as per EN 61000-4-5 can give rise to deviations from the load cell's specified accuracy. These surges in plants are caused by lightning strikes or switching operations in power circuits, for example, and disappear again when interference is no longer active. This is particularly evident with cables over 30 m long or if the equipment is used outdoors. Customers should take additional precautions in these cases.

Please note:

- Connect the connecting cable shield all over the surface of the shielding electronics housing. When using several load cells, connect the shields all over the surface of the junction box (combination of transducer signals, e.g. type VKK2 from HBM). From there, connect the measurement cable for the electronics over the surface of the junction box and the shielding electronics housing.
- The shield of the connecting cable must not be used for discharging potential differences within the system. You must therefore lay sufficiently dimensioned potential equalization lines to compensate for possible potential differences.
- Use shielded low-capacitance measurement cables only (HBM cables fulfill these conditions).
- Do not route measurement cables parallel to electric cables, especially power lines and control circuits. If this is not possible, protect the measurement cable, for example with steel conduits.
- Avoid stray fields from transformers, motors and contact switches.



Important

Potential equalization is specified for applications in potentially explosive atmospheres.

6 WASTE DISPOSAL, ENVIRONMENTAL PROTECTION

The correct disposal of old equipment prevents ecological damage and health hazards. As waste disposal regulations may differ from country to country, we ask that you contact your supplier to determine what type of disposal or recycling is legally applicable in your country.

Packaging

The original HBK packaging is made from recyclable material and can be sent for recycling. Store the packaging for at least the duration of the warranty.

For ecological reasons, empty packaging should not be returned to us.

7 SPECIFICATIONS

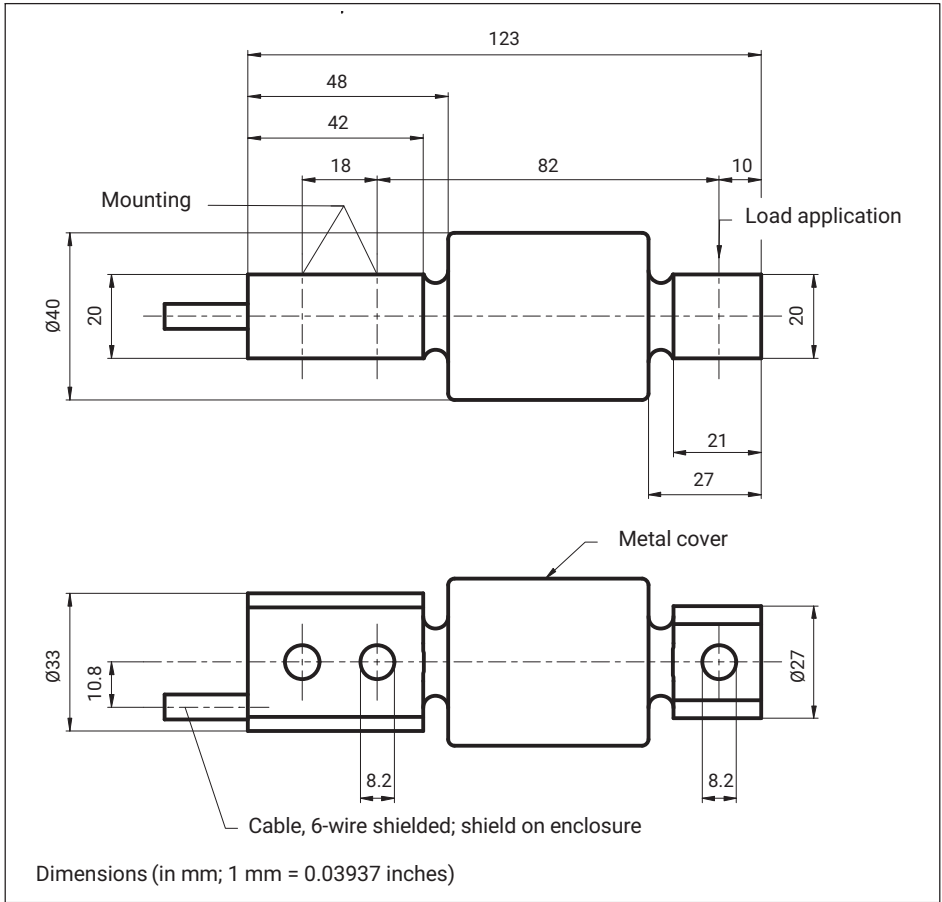
Type			Z6R, Z6R-P
Accuracy class			C3
Number of load cell verification intervals	n_{LC}		3000
Nominal (rated) load	E_{max}	kg	20; 50; 100; 200
Nominal (rated) sensitivity	C_n		2
Sensitivity tolerance		%	± 0.05
Input resistance	R_{LC}		350 ... 480
Output resistance	R_0	Ω	356 ± 0.12 355 ± 0.12 (Z6R-P)
Reference excitation voltage	U_{ref}		5
Nominal (rated) range of the excitation voltage	B_U	V	0.5 ... 12
Insulation resistance at 100 V _{DC}	R_{is}	G Ω	> 5
Nominal temperature range	B_T		-10 ... +40
Operating temperature range	B_{tu}	$^{\circ}C$	-30 ... +70
Storage temperature range	B_{tl}		-50 ... +85
Limit load	E_L	% of	150
Breaking load	E_d	E_{max}	≥ 300
Cable length, six-wire configuration		m	3
Degree of protection per DIN EN60529 (IEC529)			Z6R: IP68 (test conditions 2 m water column / 1,000 h); Z6R-P: up to IP68/IP69K
Material			
Measuring body			Stainless steel ¹⁾
Housing			Stainless steel ¹⁾
Cable inlet gland			Stainless steel / Viton [®]
Cable sheath			PVC optional TPE or PUR

¹⁾ As per EN 10088-1.

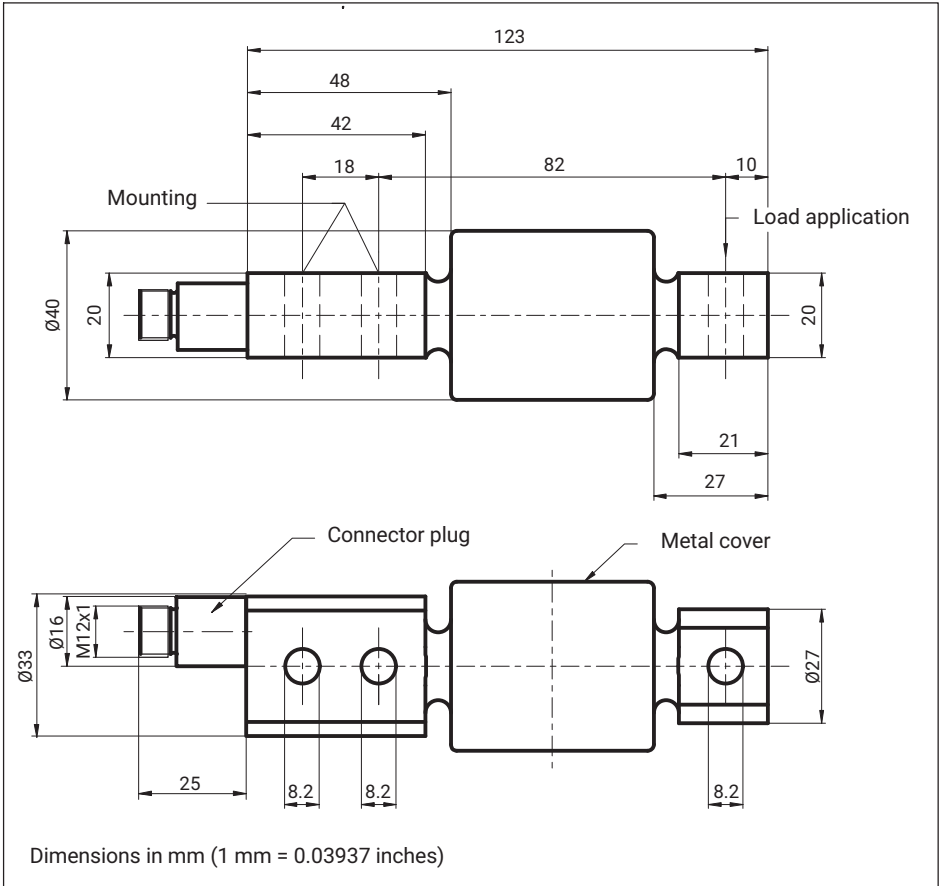
Maximum capacity		kg	20	50	100	200
Relative permissible vibrational stress	F_{srel}	% of E_{max}	70			
Nominal (rated) displacement, approx.	s_{nom}	mm	0.3			
Weight, approx.	G	kg	0.6			

8 DIMENSIONS

Z6R/20 kg ... 200 kg

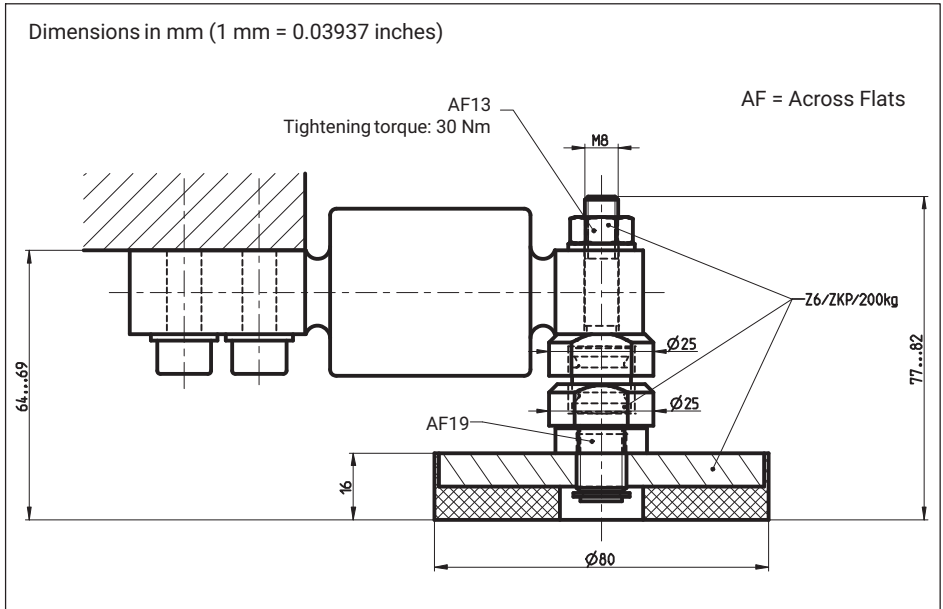


Z6R-P/20 kg ... 200 kg



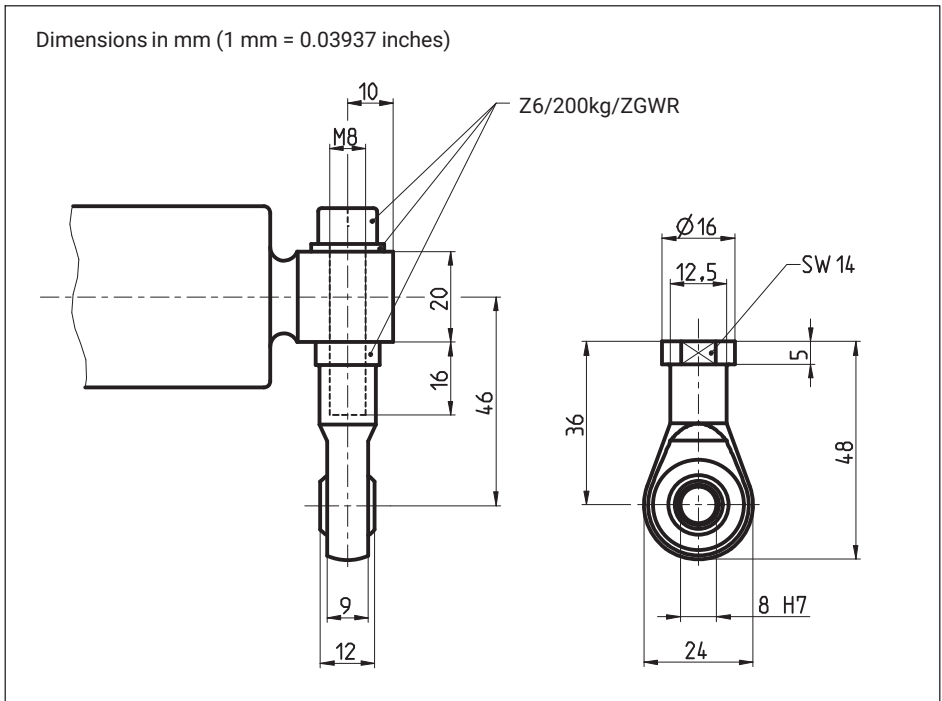
9.2 Oscillating loading foot ZKP

1-Z6/ZKP/200kg, $E_{max} = 20 \text{ kg} \dots 200 \text{ kg}$



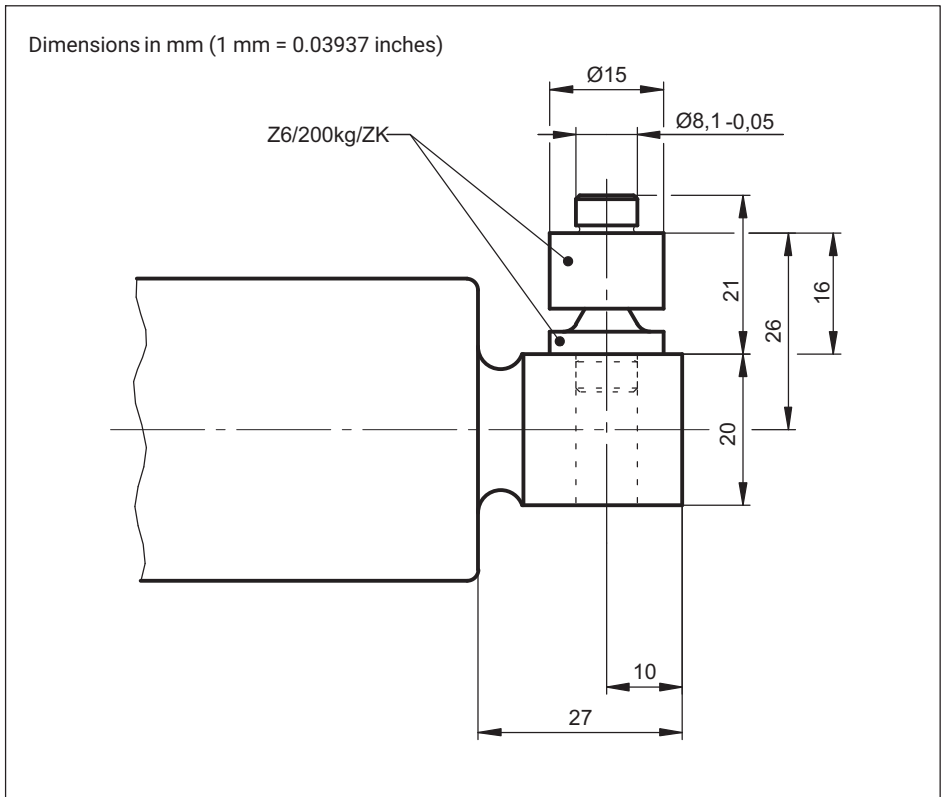
9.3 Knuckle eye ZGWR

1-Z6/200kg/ZGWR, $E_{\max} = 20 \text{ kg} \dots 200 \text{ kg}$



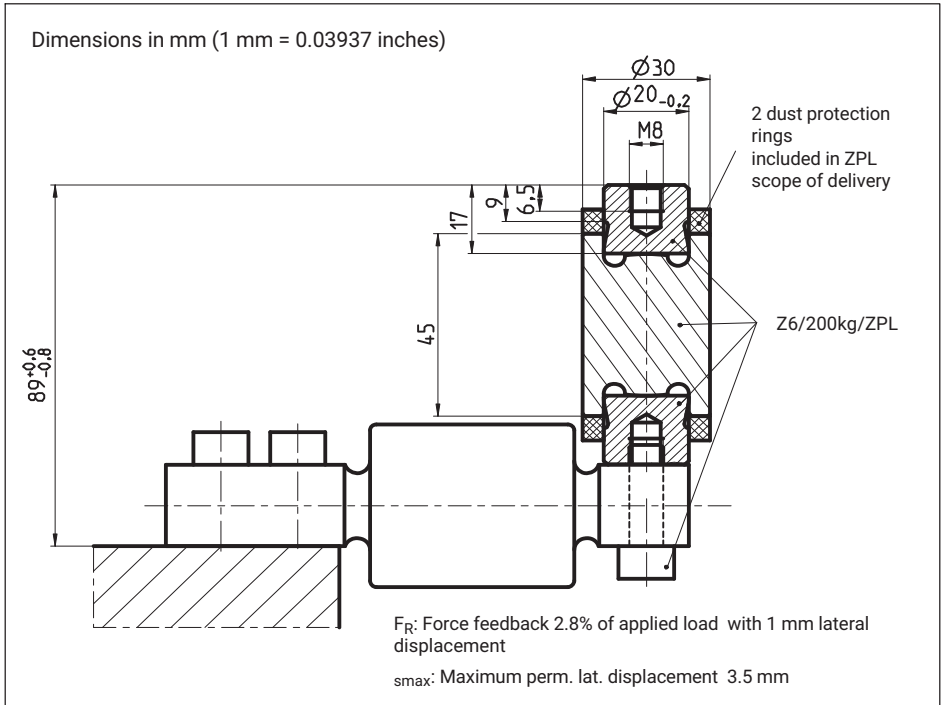
9.4 Cone, conical pan ZK

1-Z6/200kg/ZK, $E_{\max} = 20 \text{ kg} \dots 200 \text{ kg}$



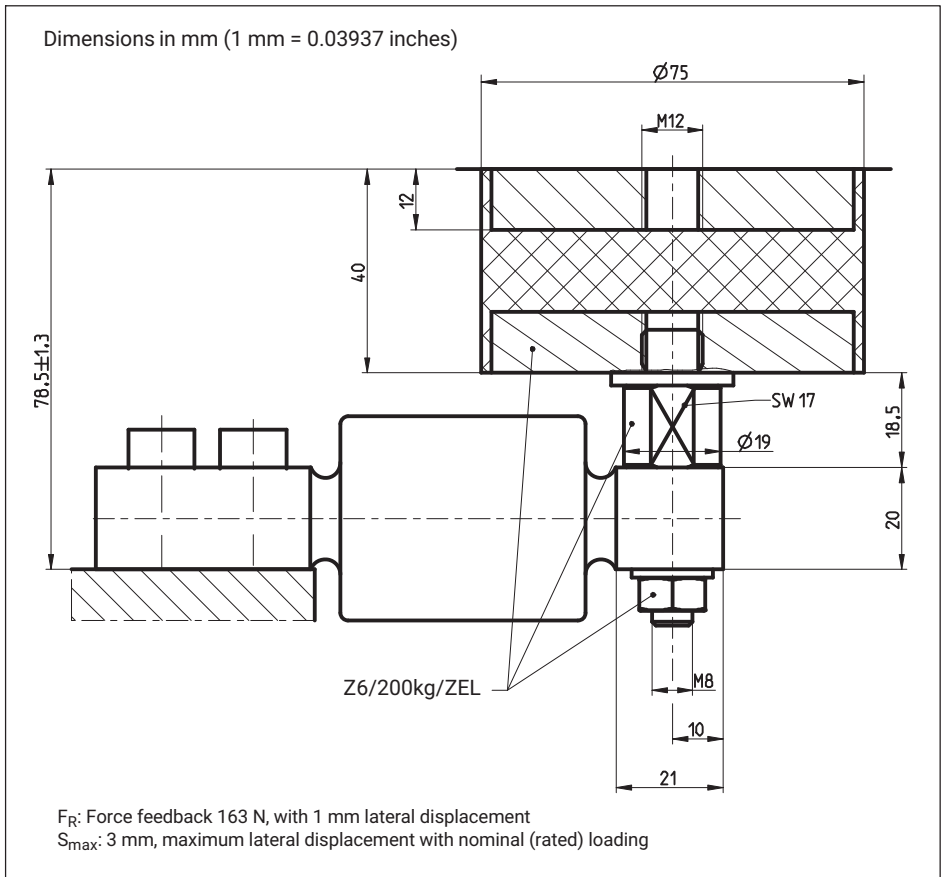
9.5 Pendulum bearing ZPL

1-Z6/200kg/ZPL, $E_{\max} = 20 \text{ kg} \dots 200 \text{ kg}$



9.6 Rubber-metal bearing ZEL

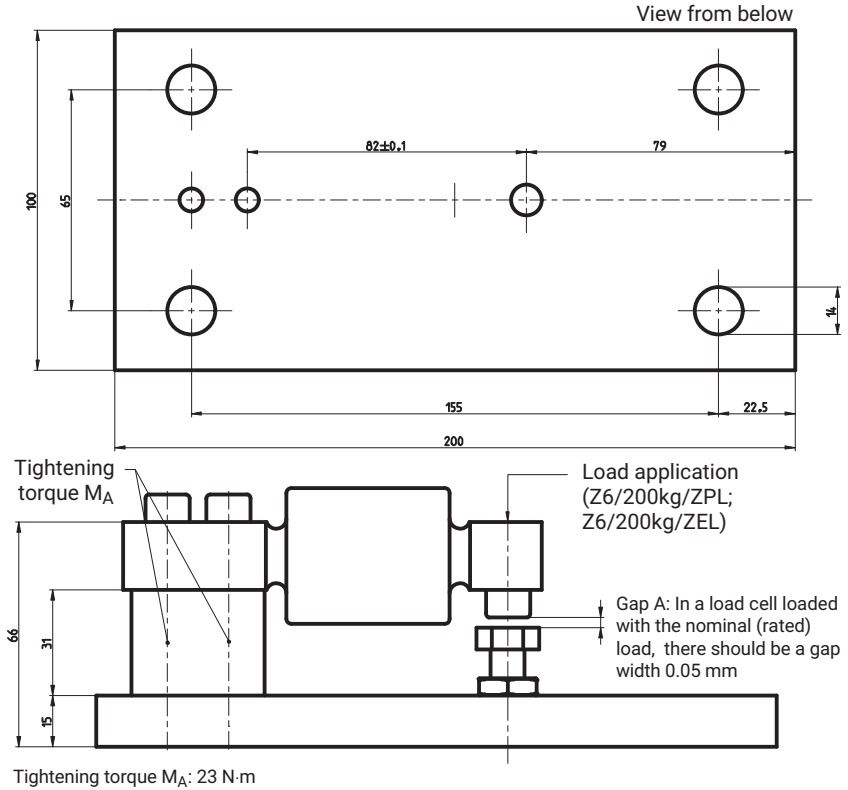
1-Z6/200kg/ZEL, $E_{\max} = 20 \text{ kg} \dots 200 \text{ kg}$



9.7 Mounting base / mounting kit

1-Z6R/ZPU/200kg, $E_{max} = 20 \text{ kg} \dots 200 \text{ kg}$

Dimensions in mm (1 mm = 0.03937 inches)



ENGLISH DEUTSCH FRANÇAIS

Montageanleitung



Z6R, Z6R-P

INHALTSVERZEICHNIS

1	Sicherheitshinweise	3
2	Verwendete Kennzeichnungen	5
2.1	In dieser Anleitung verwendete Kennzeichnungen	5
2.2	Auf dem Gerät angebrachte Symbole	5
3	Bedingungen am Einbauort	6
4	Mechanischer Einbau	7
4.1	Wichtige Vorkehrungen beim Einbau	7
4.2	Montage und Lasteinleitung	7
5	Elektrischer Anschluss	9
5.1	Kabelbelegung Sechsheiter-Technik	9
5.2	Steckeranschluss Sechsheiter-Technik	10
5.3	Kabelbelegung Vierleiter-Technik	11
5.4	Kabelkürzung	11
5.5	Kabelverlängerung	11
5.6	Parallelschaltung	11
5.7	EMV-Schutz	12
6	Entsorgung und Umweltschutz	14
7	Technische Daten	15
8	Abmessungen	17
9	Zubehör	19
9.1	Pendel-Lastfuß PCX	19
9.2	Pendel-Lastfuß ZKP	20
9.3	Gelenköse ZGWR	21
9.4	Kegelspitze, Kegelpfanne ZK	22
9.5	Pendellager ZPL	23
9.6	Gummi-Metall-Lager ZEL	24
9.7	Grundplatte / Montagesatz	25

Bestimmungsgemäße Verwendung

Die Aufnehmer der Typenreihe Z6R/Z6R-P dürfen ausschließlich für wägetechnische Anwendungen im Rahmen der durch die technischen Daten spezifizierten Einsatzgrenzen verwendet werden. Jeder andere Gebrauch ist nicht bestimmungsgemäß.

Jede Person, die mit Aufstellung, Inbetriebnahme oder Betrieb des Aufnehmers beauftragt ist, muss die Montageanleitung und insbesondere die sicherheitstechnischen Hinweise gelesen und verstanden haben.

Zur Gewährleistung eines sicheren Betriebes darf der Aufnehmer nur von qualifiziertem Personal und nach den Angaben in der Montageanleitung betrieben werden. Bei der Verwendung sind zusätzlich die für den jeweiligen Anwendungsfall erforderlichen Rechts- und Sicherheitsvorschriften zu beachten. Sinngemäß gilt dies auch bei der Verwendung von Zubehör.

Der Aufnehmer ist nicht zum Einsatz als Sicherheitskomponente bestimmt. Bitte beachten Sie hierzu den Abschnitt „Zusätzliche Sicherheitsvorkehrungen“. Der einwandfreie und sichere Betrieb setzt sachgemäßen Transport, fachgerechte Lagerung, Aufstellung und Montage sowie sorgfältige Bedienung voraus.

Betriebsbedingungen

- Beachten Sie insbesondere die in den technischen Daten angegebenen maximal zulässigen Werte für:
 - Grenzlaster
 - Grenzquerbelastung
 - Bruchlasten
 - Temperaturgrenzen
 - Grenzen der elektrischen Belastbarkeit
- Beachten Sie, dass beim Einbau mehrerer Aufnehmer in eine Waage die Lastverteilung auf die einzelnen Aufnehmer nicht immer gleichmäßig ist.
- Die Aufnehmer können als Maschinenelemente eingesetzt werden. Beachten Sie bei dieser Verwendung, dass die Aufnehmer zu Gunsten einer hohen Messempfindlichkeit nicht mit den im Maschinenbau üblichen Sicherheitsfaktoren konstruiert wurden.
- Der Aufnehmer darf ohne unsere ausdrückliche Zustimmung weder konstruktiv noch sicherheitstechnisch verändert werden.
- Der Aufnehmer ist wartungsfrei.
- Nicht mehr gebrauchsfähige Aufnehmer sind gemäß den nationalen und örtlichen Vorschriften für Umweltschutz und Rohstoffrückgewinnung getrennt von regulärem Hausmüll zu entsorgen, *siehe Kapitel 6, Seite 14*.

Option Explosionsschutzausführung

- Beachten Sie bei der Installation die einschlägigen Errichtungsbestimmungen.
- Die Installationsbedingungen, die in der Konformitätsbescheinigung und/oder Baumusterbescheinigung aufgeführt sind, müssen eingehalten werden.

Qualifiziertes Personal

Qualifizierte Personen sind Personen, die mit Aufstellung, Montage, Inbetriebsetzung und Betrieb des Produktes vertraut sind und über die ihrer Tätigkeit entsprechende Qualifikationen verfügen.

Dazu zählen Personen, die mindestens eine der drei folgenden Voraussetzungen erfüllen:

- Ihnen sind die Sicherheitskonzepte der Mess- und Automatisierungstechnik bekannt und sie sind als Projektpersonal damit vertraut.
- Sie sind Bedienpersonal der Mess- oder Automatisierungsanlagen und sind im Umgang mit den Anlagen unterwiesen. Sie sind mit der Bedienung der in dieser Dokumentation beschriebenen Geräte und Technologien vertraut.
- Sie sind Inbetriebnehmer oder für den Service eingesetzt und haben eine Ausbildung absolviert, die sie zur Reparatur der Automatisierungsanlagen befähigt. Außerdem haben sie die Berechtigung, Stromkreise und Geräte gemäß den Normen der Sicherheitstechnik in Betrieb zu nehmen, zu erden und zu kennzeichnen.

Zusätzliche Sicherheitsvorkehrungen

Bei Anlagen, die aufgrund einer Fehlfunktion größere Schäden, Datenverlust oder sogar Personenschäden verursachen können, müssen zusätzliche Sicherheitsvorkehrungen getroffen werden, die den Anforderungen der entsprechenden nationalen und örtlichen Unfallverhütungsvorschriften genügen.

Der Leistungs- und Lieferumfang des Aufnehmers deckt nur einen Teilbereich der Messtechnik ab. Vor der Inbetriebnahme des Aufnehmers in einer Anlage ist daher eine Projektierung und Risikoanalyse vorzunehmen, die alle Sicherheitsaspekte der Mess- und Automatisierungstechnik berücksichtigt, so dass Restgefahren minimiert werden. Insbesondere betrifft dies den Personen- und Anlagenschutz. Die Aufnehmer arbeiten passiv und können keine (sicherheitsrelevanten) Abschaltungen vornehmen. Im Fehlerfall müssen entsprechende Vorkehrungen einen sicheren Betriebszustand herstellen.





Allgemeine Gefahren bei Nichtbeachten der Sicherheitshinweise

Der Aufnehmer entspricht dem Stand der Technik und ist betriebssicher. Von dem Aufnehmer können Restgefahren ausgehen, wenn er unsachgemäß eingesetzt oder bedient wird.

2 VERWENDETE KENNZEICHNUNGEN

2.1 In dieser Anleitung verwendete Kennzeichnungen

Wichtige Hinweise für Ihre Sicherheit sind besonders gekennzeichnet. Beachten Sie diese Hinweise unbedingt, um Unfälle und Sachschäden zu vermeiden.

Symbol	Bedeutung
 WARNUNG	Diese Kennzeichnung weist auf eine <i>mögliche</i> gefährliche Situation hin, die – wenn die Sicherheitsbestimmungen nicht beachtet werden – Tod oder schwere Körperverletzung zur Folge <i>haben kann</i> .
Hinweis	Diese Kennzeichnung weist auf eine Situation hin, die – wenn die Sicherheitsbestimmungen nicht beachtet werden – Sachschäden zur Folge <i>haben kann</i> .
 Wichtig	Diese Kennzeichnung weist auf <i>wichtige</i> Informationen zum Produkt oder zur Handhabung des Produktes hin.
 Tipp	Diese Kennzeichnung weist auf Anwendungstipps oder andere für Sie nützliche Informationen hin.
 Information	Diese Kennzeichnung weist auf Informationen zum Produkt oder zur Handhabung des Produktes hin.
<i>Hervorhebung</i> <i>Siehe ...</i>	Kursive Schrift kennzeichnet Hervorhebungen im Text und kennzeichnet Verweise auf Kapitel, Bilder oder externe Dokumente und Dateien.

2.2 Auf dem Gerät angebrachte Symbole

CE-Kennzeichnung



Mit der CE-Kennzeichnung garantiert der Hersteller, dass sein Produkt den Anforderungen der relevanten EU-Richtlinien entspricht (die Konformitätserklärung finden Sie auf der Website von HBK www.hbm.com oder www.hbkworld.com).

3 BEDINGUNGEN AM EINBAUORT

Die Wägezellen der Serie Z6R/Z6R-P sind hermetisch gekapselt und deshalb sehr unempfindlich gegen Feuchteinwirkung. Trotzdem sollten die Wägezellen gegen dauerhafte Feuchteinwirkung geschützt werden.

Korrosionsschutz

Die Wägezelle muss gegen Chemikalien geschützt werden, die den Stahl des Aufnehmers oder das Kabel angreifen.

Hinweis

Säuren und alle Stoffe, die Ionen freisetzen, greifen auch nichtrostende Stähle und deren Schweißnähte an.

Die dadurch auftretende Korrosion kann zum Ausfall des Aufnehmers führen. Sehen Sie in diesem Fall entsprechende Schutzmaßnahmen vor.

Ablagerungen

Staub, Schmutz und andere Fremdkörper dürfen sich nicht so ansammeln, dass sie einen Teil der Messkraft auf das Gehäuse umleiten und dadurch den Messwert verfälschen (Kraftnebenschluss).

4.1 Wichtige Vorkehrungen beim Einbau

- Behandeln Sie den Aufnehmer schonend.
- Es dürfen keine Schweißströme über den Aufnehmer fließen. Sollte diese Gefahr bestehen, so müssen Sie den Aufnehmer mit einer geeigneten niederohmigen Verbindung elektrisch überbrücken. Hierzu bietet z. B. HBK das hochflexible Erdungskabel EEK an, das oberhalb und unterhalb des Aufnehmers angeschraubt wird.
- Stellen Sie sicher, dass der Aufnehmer nicht überlastet werden kann.

WARNUNG

Bei einer Überlastung des Aufnehmers besteht die Gefahr, dass der Aufnehmer bricht. Dadurch können Gefahren für das Bedienpersonal der Anlage auftreten, in die der Aufnehmer eingebaut ist.

Treffen Sie geeignete Sicherungsmaßnahmen zur Vermeidung einer Überlastung oder zur Sicherung gegen sich daraus ergebende Gefahren.

Hinweis

Wägezellen sind Präzisions-Messelemente und verlangen daher eine umsichtige Handhabung. Stöße oder Stürze können zu permanenten Schäden am Aufnehmer führen. Sorgen Sie dafür, dass auch bei der Montage keine Überlastung des Aufnehmers auftreten kann.

4.2 Montage und Lasteinleitung

Befestigen Sie die Wägezellen an den Montagebohrungen und bringen Sie die Last am anderen Ende auf. Die folgende Tabelle enthält die zu verwendenden Schrauben und Anzugsmomente:

Nennlasten	Gewinde	Min.-Festigkeitsklasse	Anzugsmoment ¹⁾⁾
20...200 kg	M8	10.9	34 N·m

¹⁾ Richtwert für die angegebene Festigkeitsklasse. Zur Auslegung von Schrauben beachten Sie bitte entsprechende Informationen der Schraubenhersteller.

Wichtig

Die Lasteinleitung darf nicht auf der Seite des Kabelanschlusses erfolgen, dies führt zu einem Kraftnebenschluss.

Die Last muss möglichst genau in Messrichtung wirken. Torsionsmomente, außermittige Belastungen sowie Quer- bzw. Seitenkräfte verursachen Messfehler und können die Wägezelle bleibend schädigen. Fangen Sie solche Störeinflüsse z. B. durch Querlenker oder Führungsrollen ab, wobei diese Elemente keinerlei Last bzw. Kraftkomponenten in Messrichtung aufnehmen dürfen (Kraftnebenschluss, der wiederum zu Messfehlern führt).

Um Fehlereinflüsse durch die Lasteinleitung zu minimieren, bietet HBK je nach Einbausituation verschiedene Lasteinleitungen an:

- Pendellager ZPL (für Nennlasten 20 kg ... 200 kg) (1-Z6/200kg/ZPL)
- Gelenkösen ZGWR (für Nennlasten 20 kg ... 200 kg) (1-Z6/200kg/ZGWR)
- Gummi-Metall-Lager ZEL (für Nennlasten 20 kg ... 200 kg) (1-Z6/200kg/ZEL)
- Kegelspitze/-pfanne ZK (für Nennlasten 20 kg ... 200 kg) (1-Z6/200kg/ZK)
- Pendel-Lastfuß PCX (für Nennlasten 20 kg ... 200 kg) (1-Z6/PCX/500kgSet)
- Pendel-Lastfuß ZKP (für Nennlasten 20 kg ... 200 kg) (1-Z6/ZKP/200kg)
- Grundplatte/Montageset ZPU (für Nennlasten 20 kg ... 200 kg) (1-Z6/ZPU/200kg)

5 ELEKTRISCHER ANSCHLUSS

Zur Messsignalverarbeitung können angeschlossen werden:

- Trägerfrequenz-Messverstärker
- Gleichspannungs-Messverstärker

die für DMS-Messsysteme ausgelegt sind.

Die Wägezellen werden in Sechsheiter-Technik ausgeliefert.

5.1 Kabelbelegung Sechsheiter-Technik

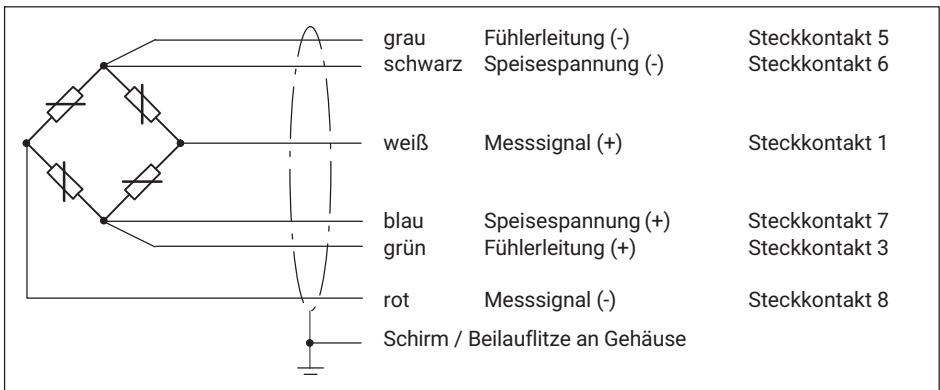
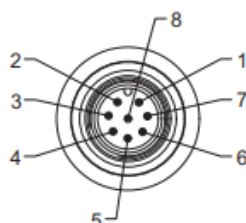


Abb. 5.1 Anschlussbelegung

Bei dieser Steckerbelegung ist bei Belastung des Aufnehmers die Ausgangsspannung am Messverstärker positiv.

5.2 Steckeranschluss Sechisleiter-Technik

Steckerbelegung bei Z6R-P (Z6R-Wägezelle mit M12x1-Einbaustecker)



Steckkontakt 1 = Messsignal (+)
 Steckkontakt 2 = nicht belegt
 Steckkontakt 3 = Fühlerleitung (+)
 Steckkontakt 4 = nicht belegt
 Steckkontakt 5 = Fühlerleitung (-)
 Steckkontakt 6 = Speisespannung (-)
 Steckkontakt 7 = Speisespannung (+)
 Steckkontakt 8 = Messsignal (-)

Dazu passende Kupplungen (Buchse + Kabel) von HBK:

Anschlussbelegung 1-KAB168		Anschlussbelegung 1-KAB175		Steckkontakt
Aderfarbe	Anschluss	Aderfarbe	Anschluss	
Weiß	Messsignal (+)	Weiß	Messsignal (+)	1
Rot	Messsignal (-)	Rot	Messsignal (-)	8
Blau	Speisespannung (+)	Blau	Speisespannung (+)	7
Rosa	Speisespannung (-)	Schwarz	Speisespannung (-)	6
Grün	Fühlerleitung (+)	Grün	Fühlerleitung (+)	3
Grau	Fühlerleitung (-)	Grau	Fühlerleitung (-)	5
Gelb	Nicht belegt			-
Braun	Nicht belegt			-

Kupplungen	
Kupplung mit Stecker M12 F, 8-polig, TPU IP67, Kabelmantel PUR, 5 m lang	1-KAB168-5
Kupplung mit Stecker M12 F, 8-polig, TPU IP67, Kabelmantel PUR, 20 m lang	1-KAB168-20
Kupplung mit Stecker M12 F, 8-polig, Edelstahl, IP68/69, Hygieneausführung, 3 m lang	1-KAB175-3-1
Kupplung mit Stecker M12 F, 8-polig, Edelstahl, IP68/69, Hygieneausführung, 6 m lang	1-KAB175-6-1
Kupplung mit Stecker M12 F, 8-polig, Edelstahl, IP68/69, Hygieneausführung, 12 m lang	1-KAB175-12-1

5.3 Kabelbelegung Vierleiter-Technik

Wenn Sie Aufnehmer, die in Sechsheiter-Technik ausgeführt sind, an Verstärker mit Vierleiter-Technik anschließen, müssen Sie die Fühlerleitungen der Aufnehmer mit den entsprechenden Speisespannungsleitungen verbinden: Kennzeichnung (+) mit (+) und Kennzeichnung (-) mit (-), siehe Abb. 5.1. Diese Maßnahme verkleinert unter anderem den Kabelwiderstand der Speisespannungsleitungen. Es entsteht jedoch durch den immer noch vorhandenen und nicht durch die Sechsheiter-Technik kompensierten Kabelwiderstand ein Spannungsverlust auf den Speiseleitungen. Ein Großteil dieses Verlustes kann durch eine Kalibrierung eliminiert werden, es verbleibt jedoch der temperaturabhängige Anteil.



Wichtig

Der in den technischen Daten für den Aufnehmer angegebene TK_C gilt daher bei Anschluss in Vierleiter-Technik nicht für die Kombination aus Kabel und Aufnehmer, hier kommt der Anteil des Kabels hinzu.

Folgende Abweichungen treten bei ungekürztem Kabel (3 m) auf:

- Kennwert ca. -0,2%
- TK_C ca. -0,01% pro 10 K.

5.4 Kabelkürzung

Bei einem Anschluss des Aufnehmers an Verstärker in Sechsheiter-Technik können Sie das Kabel des Aufnehmers bei Bedarf kürzen, ohne dass dadurch die Messgenauigkeit beeinträchtigt wird.

5.5 Kabelverlängerung

Verwenden Sie nur abgeschirmte, kapazitätsarme Messkabel zur Verlängerung. Achten Sie auf eine einwandfreie Verbindung mit geringem Übergangswiderstand. Das Kabel eines Sechsheiter-Aufnehmers kann mit einem gleichartigen Kabel verlängert werden.

Empfohlene Kabeltypen von HBK:

- KAB7.5/00-2/2/2 (Meterware, Best.-Nr. 4-3301.0071 für graue oder 4-3301.0082 für blaue Ausführung)
- CABA1 (Kabelrolle, Best.-Nr. CABA1/20 = 20 m oder CABA1/100 = 100 m lang)

5.6 Parallelschaltung

Nur Wägezellen mit abgeglichenem Ausgang (Nennwert und Ausgangswiderstand) sind zur Parallelschaltung geeignet. Sie schalten die Wägezellen elektrisch parallel, indem Sie die gleichfarbigen Aderenden der Wägezellenanschlusskabel miteinander verbinden. Dafür stehen die Klemmenkästen des Typs VKK, auch für den Explosionsschutz, aus dem HBK-Programm zur Verfügung. Das Ausgangssignal ist dann der Mittelwert der einzelnen Ausgangssignale.



Wichtig

Nach der Parallelschaltung von Wägezellen kann die Überlastung einer einzelnen Wägezelle nicht mehr am Ausgangssignal erkannt werden.

5.7 EMV-Schutz

Elektrische und magnetische Felder verursachen oft eine Einkopplung von Störspannungen in den Messkreis. Für eine zuverlässige Messung müssen jedoch Signalunterschiede von wenigen μV , vom Aufnehmer zur Auswerteelektronik störungsfrei übertragen werden können.

Planung des Schirmungskonzepts

Aufgrund der vielfältigen Einsatzmöglichkeiten und der unterschiedlichen Randbedingungen vor Ort können wir Ihnen nur Hinweise für einen sachgerechten Anschluss geben. Das für Ihre Anwendung passende Schirmungskonzept muss vor Ort von einer entsprechenden Fachkraft geplant werden.

HBM-Wägezellen mit geschirmtem Rundkabel sind gemäß der EU-Richtlinie EMV geprüft und tragen die CE Kennzeichnung. Durch Spannungstöße nach EN 61000-4-5 können Abweichungen über der spezifizierten Genauigkeit der Wägezelle entstehen. Solche Spannungstöße kommen in Anlagen z.B. durch Blitzeinschlag oder Schaltheftungen in Leistungsstromkreisen vor und verschwinden direkt nach Störeinwirkung wieder. Dies ist insbesondere bei Kabellängen über 30 m oder Verwendung im Außenbereich zu beachten. In diesen Anwendungsfällen sind kundenseitig zusätzliche Vorkehrungen zu treffen.

Zu beachtende Punkte:

- Schließen Sie den Schirm des Anschlusskabels flächig am schirmenden Gehäuse der Elektronik an. Schließen Sie bei der Verwendung von mehreren Wägezellen die Schirme flächig am Klemmenkasten (Zusammenführung der Aufnehmersignale, z. B. TypVKK2 von HBM) an. Schließen Sie von dort aus das Messkabel zur Elektronik sowohl flächig am Klemmenkasten als auch flächig am schirmenden Gehäuse der Elektronik an.
- Der Schirm der Anschlusskabel darf nicht als Ableitung von Potenzialunterschieden innerhalb des Systems dienen. Verlegen Sie deshalb ausreichend dimensionierte Potenzialausgleichsleitungen, um mögliche Potenzialunterschiede auszugleichen.
- Verwenden Sie nur abgeschirmte kapazitätsarme Messkabel (HBM-Messkabel erfüllen diese Bedingungen).
- Legen Sie die Messkabel nicht parallel zu Stromkabeln, insbesondere zu Starkstrom- und Steuerleitungen. Falls dies nicht möglich ist, schützen Sie die Messkabel, z. B. durch Stahlpanzerrohre.
- Meiden Sie Streufelder von Trafos, Motoren und Schützen



Wichtig

Bei Anwendungen in explosionsgefährdeten Bereichen ist ein Potenzialausgleich vorgeschrieben.

6 ENTSORGUNG UND UMWELTSCHUTZ

Die ordnungsgemäße Entsorgung von Altgeräten beugt Umweltschäden und Gesundheitsgefahren vor.

Da die Entsorgungsvorschriften von Land zu Land unterschiedlich sind, bitten wir Sie, im Bedarfsfall Ihren Lieferanten anzusprechen, welche Art von Entsorgung oder Recycling in Ihrem Land vorgeschrieben ist.

Verpackungen

Die Originalverpackung von HBK besteht aus recyclebarem Material und kann der Wiederverwertung zugeführt werden. Bewahren Sie die Verpackung jedoch mindestens für den Zeitraum der Gewährleistung auf.

Aus ökologischen Gründen sollte auf den Rücktransport der leeren Verpackungen an uns verzichtet werden.

7 TECHNISCHE DATEN

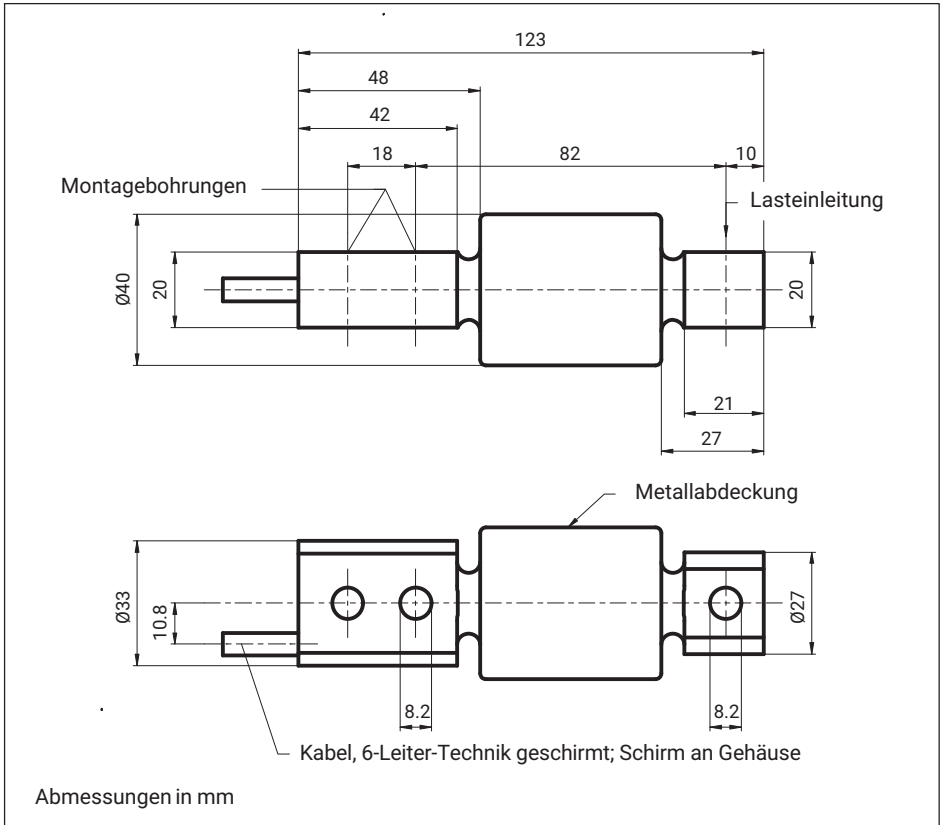
Typ			Z6R, Z6R-P
Genauigkeitsklasse			C3
Anzahl der Teilungswerte	n_{LC}		3000
Nennlast	E_{max}	kg	20; 50; 100; 200
Kennwert	C_n	mV/V	2
Kennwerttoleranz		%	$\pm 0,05$
Eingangswiderstand	R_{LC}	Ω	350 ... 480
Ausgangswiderstand	R_0		356 $\pm 0,12$ 355 $\pm 0,12$ (Z6R-P)
Referenzspeisespannung	U_{ref}	V	5
Nennbereich der Speisespannung	B_U		0,5 ... 12
Isolationswiderstand bei 100 V _{DC}	R_{is}	G Ω	> 5
Nenntemperaturbereich	B_T	$^{\circ}C$	-10 ... +40
Gebrauchstemperaturbereich	B_{tu}		-30 ... +70
Lagerungstemperaturbereich	B_{tl}		-50 ... +85
Grenzlast	E_L	% v.	150
Bruchlast	E_d	E_{max}	≥ 300
Kabellänge, Sechsheiter-Technik		m	3
Schutzart nach DIN EN 60529 (IEC 529)			Z6R: IP68 (Prüfbedingungen 2 m Wassersäule / 1.000 h); Z6R-P: bis zu IP68/IP69K
Material Messkörper Gehäuse Kabeleinführung Kabelmantel			nichtrostender Stahl ¹⁾ nichtrostender Stahl ¹⁾ nichtrostender Stahl / Viton [®] PVC Optional TPE oder PUR

1) Nach EN 10088-1.

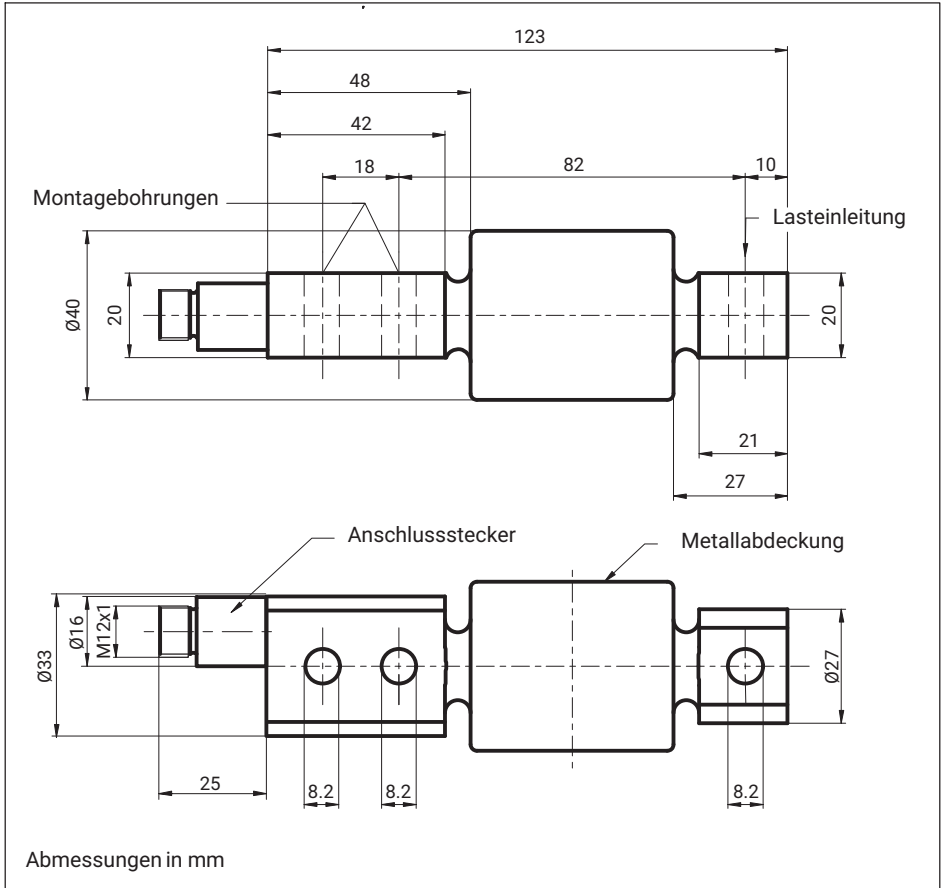
Nennlast		kg	20	50	100	200
Relative zul. Schwingbeanspruchung	F_{srel}	% v. E_{max}	70			
Nennmessweg, ca.	s_{nom}	mm	0,3			
Gewicht, ca.	G	kg	0,6			

8 ABMESSUNGEN

Z6R/20 kg ... 200 kg



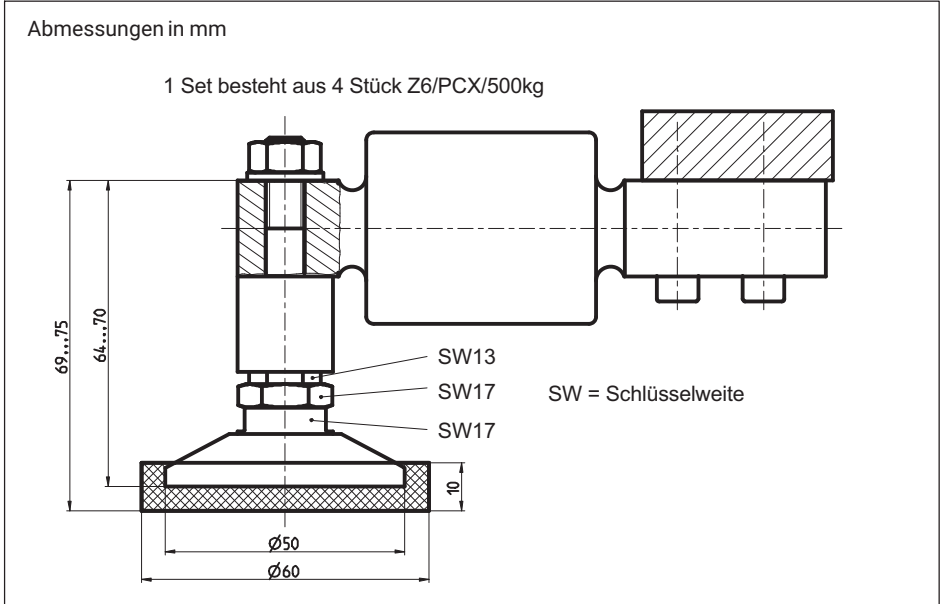
Z6R-P/20 kg ... 200 kg



9 ZUBEHÖR

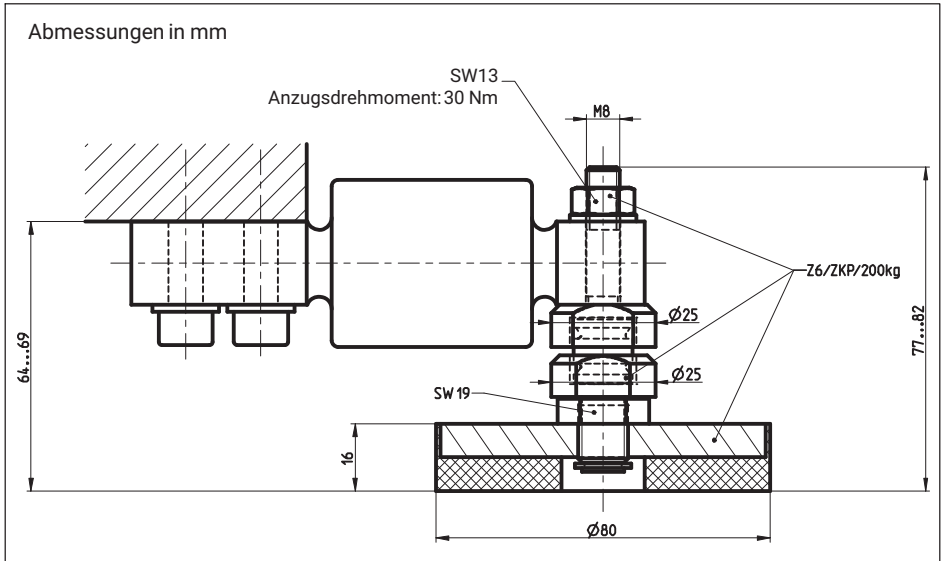
9.1 Pendel-Lastfuß PCX

1-Z6/PCX/500kgSet, $E_{\max} = 20 \text{ kg} \dots 200 \text{ kg}$



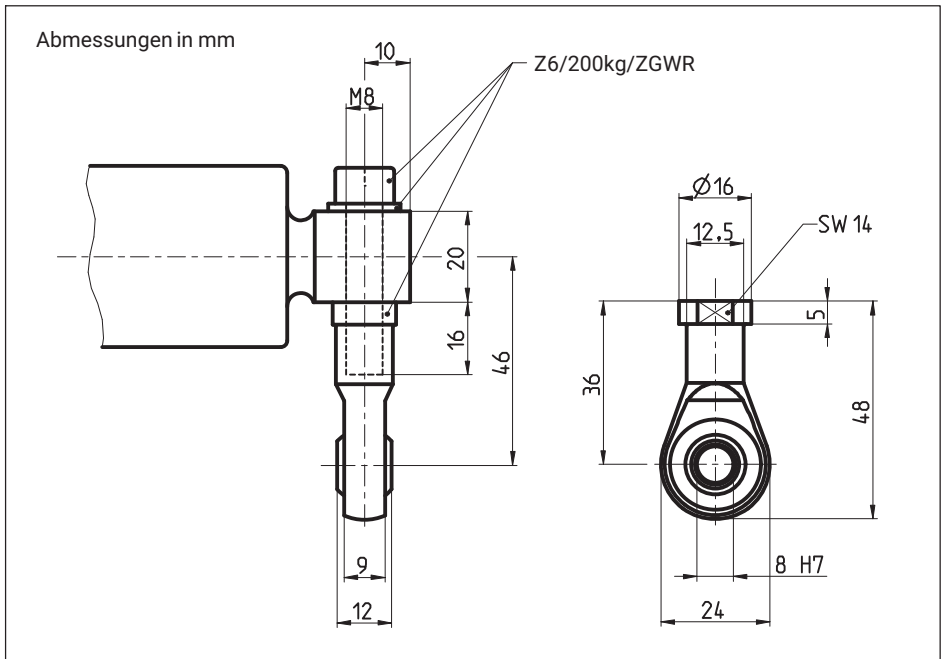
9.2 Pendel-Lastfuß ZKP

1-Z6/ZKP/200kg, $E_{\max} = 20 \text{ kg} \dots 200 \text{ kg}$



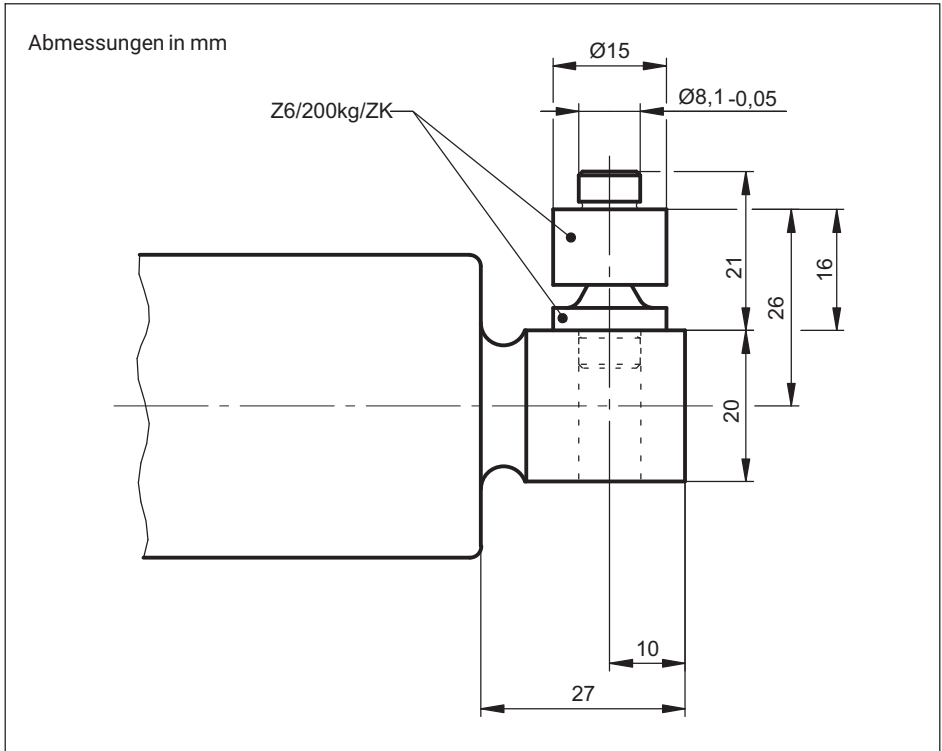
9.3 Gelenköse ZGWR

1-Z6/200kg/ZGWR, $E_{\max} = 20 \text{ kg} \dots 200 \text{ kg}$



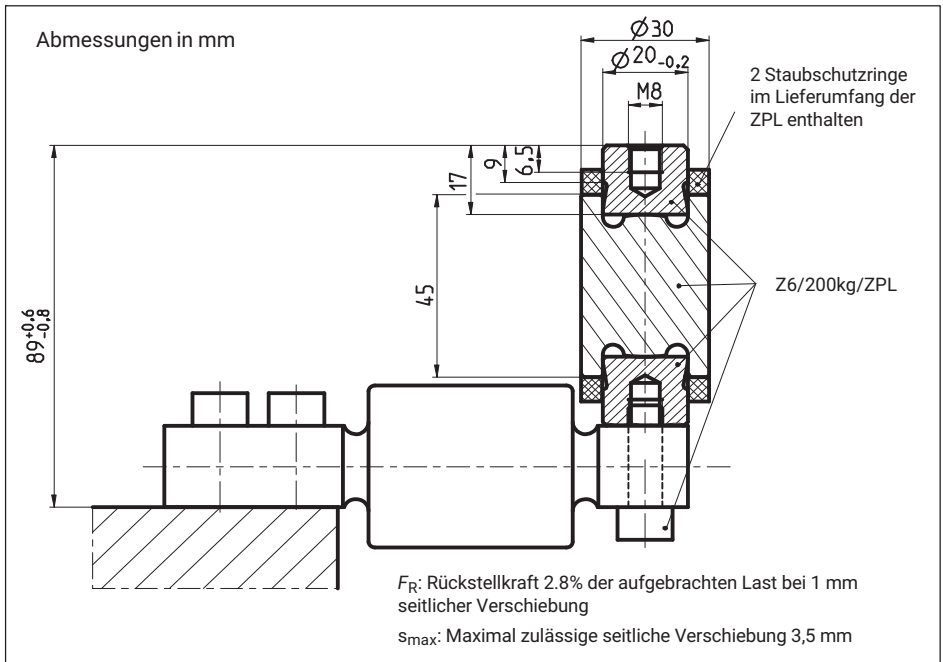
9.4 Kegelspitze, Kegelpfanne ZK

1-Z6/200kg/ZK, $E_{\max} = 20 \text{ kg} \dots 200 \text{ kg}$



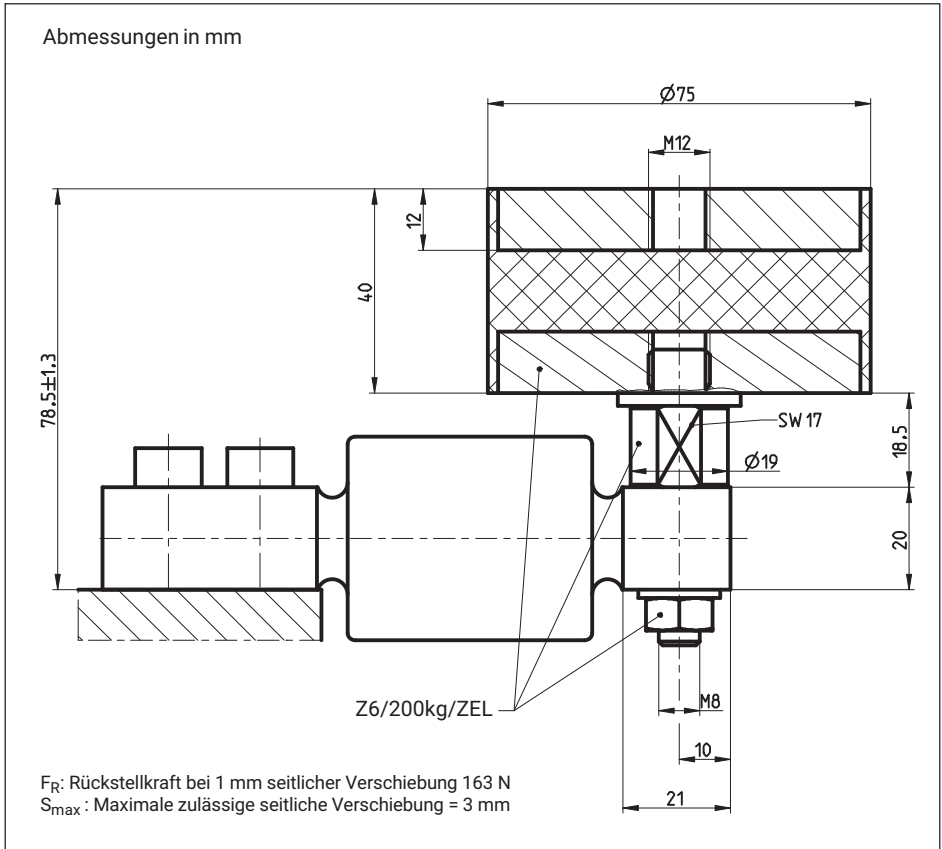
9.5 Pendellager ZPL

1-Z6/200kg/ZPL, $E_{\max} = 20 \text{ kg} \dots 200 \text{ kg}$



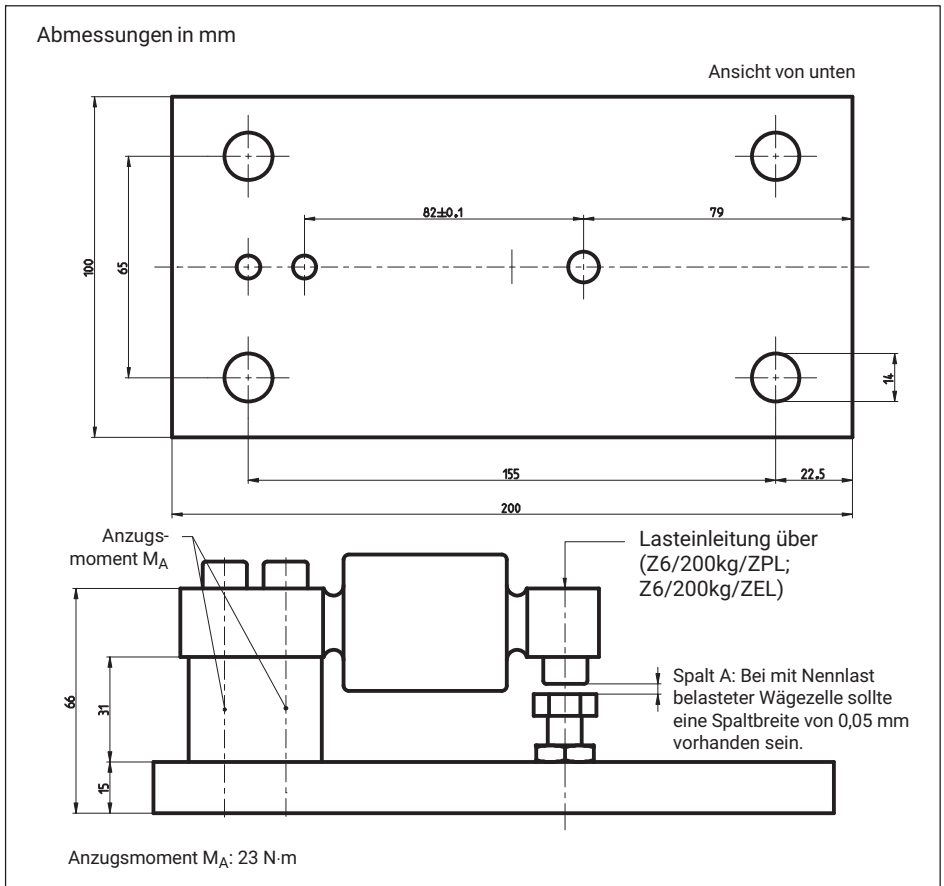
9.6 Gummi-Metall-Lager ZEL

1-Z6/200kg/ZEL, $E_{\max} = 20 \text{ kg} \dots 200 \text{ kg}$



9.7 Grundplatte / Montagesatz

1-Z6R/ZPU/200kg, $E_{\max} = 20 \text{ kg} \dots 200 \text{ kg}$



ENGLISH DEUTSCH FRANÇAIS

Notice de montage



Z6R, Z6R-P

TABLE DES MATIÈRES

1	Consignes de sécurité	3
2	Marquages utilisés	5
2.1	Marquages utilisés dans le présent document	5
2.2	Symboles apposés sur l'appareil	5
3	Conditions environnantes à respecter	6
4	Montage mécanique	7
4.1	Précautions importantes lors du montage	7
4.2	Montage et application de charge	7
5	Raccordement électrique	9
5.1	Code de câblage en technique six fils	9
5.2	Raccordement sur connecteur en technique six fils	10
5.3	Code de câblage en technique quatre fils	11
5.4	Raccourcissement de câble	11
5.5	Rallonge de câble	11
5.6	Branchement en parallèle	11
5.7	Protection CEM	12
6	Élimination des déchets, protection de l'environnement	14
7	Caractéristiques techniques	15
8	Dimensions	17
9	Accessoires	19
9.1	Pied de charge pendulaire PCX	19
9.2	Pieds de charge pendulaires ZKP	20
9.3	Anneau à rotule ZGWR	21
9.4	Pointeau, coupelle ZK	22
9.5	Palier oscillant ZPL	23
9.6	Palier élastomère ZEL	24
9.7	Plaque support / kit de montage	25

1 CONSIGNES DE SÉCURITÉ

Utilisation conforme

Les capteurs de la série Z6R/Z6R-P ne doivent être utilisés que pour des applications de pesage dans le cadre des limites d'utilisation spécifiées dans les caractéristiques techniques. Toute autre utilisation est considérée comme non conforme.

Toute personne chargée de l'installation, de la mise en service ou de l'exploitation du capteur doit impérativement avoir lu et compris le manuel d'emploi et notamment les informations relatives à la sécurité.

Pour garantir un fonctionnement du capteur en toute sécurité, celui-ci doit uniquement être utilisé par du personnel qualifié conformément aux instructions du manuel d'emploi. De plus, il convient, pour chaque cas particulier, de respecter les règlements et consignes de sécurité correspondants. Ceci s'applique également à l'utilisation des accessoires.

Le capteur n'est pas destiné à être mis en œuvre comme élément de sécurité. Reportez-vous à ce sujet au paragraphe "Mesures de sécurité supplémentaires". Afin de garantir un fonctionnement parfait et en toute sécurité, il convient de veiller à un transport, un stockage, une installation et un montage appropriés et d'assurer un maniement scrupuleux.

Conditions de fonctionnement

- Respecter notamment les valeurs maximales admissibles indiquées dans les caractéristiques techniques pour :
 - la charge limite,
 - la charge transversale limite,
 - les charges de rupture,
 - les limites de température,
 - les limites de charge électrique.
- En cas de montage de plusieurs capteurs dans une balance, notez que la charge n'est pas toujours répartie de façon homogène sur les différents capteurs.
- Les capteurs peuvent être utilisés en tant qu'éléments de machine. Dans ce type d'utilisation, notez que les capteurs ne peuvent pas présenter les facteurs de sécurité habituels en construction mécanique car l'accent est mis sur la sensibilité élevée.
- Il est interdit de modifier le capteur sur le plan conceptuel ou celui de la sécurité sans accord explicite de notre part.
- Le capteur est sans entretien.
- Les capteurs devenus inutilisables ne doivent pas être mis au rebut avec les déchets ménagers usuels conformément aux directives nationales et locales pour la protection de l'environnement et la valorisation des matières premières, voir *chapitre 6, page 14*.

Option antidéflagration

- Lors de l'installation, il faut tenir compte des directives d'édification en vigueur.
- Les conditions d'installation indiquées dans la déclaration de conformité et/ou l'attestation du type doivent être respectées.

Personnel qualifié

Sont considérées comme personnel qualifié les personnes familiarisées avec l'installation, le montage, la mise en service et l'exploitation du produit, et disposant des qualifications correspondantes.

En font partie les personnes remplissant au moins une des trois conditions suivantes :

- Elles connaissent les concepts de sécurité de la technique de mesure et d'automatisation et les maîtrisent en tant que chargés de projet.
- Elles sont opérateurs des installations de mesure ou d'automatisation et ont été formées pour pouvoir utiliser les installations. Elles savent comment utiliser les appareils et technologies décrits dans le présent document.
- En tant que personne chargée de la mise en service ou de la maintenance, elles disposent d'une formation les autorisant à réparer les installations d'automatisation. Elles sont en outre autorisées à mettre en service, mettre à la terre et marquer des circuits électriques et appareils conformément aux normes de la technique de sécurité.

Mesures de sécurité supplémentaires

Des mesures de sécurité supplémentaires satisfaisant aux exigences des directives nationales et locales pour la prévention des accidents du travail doivent être prises pour les installations risquant de causer des dommages plus importants, une perte de données ou même des préjudices corporels, en cas de dysfonctionnement.

Les performances du capteur et l'étendue de la livraison ne couvrent qu'une partie des techniques de mesure. Avant la mise en service du capteur dans une installation, une configuration et une analyse de risque tenant compte de tous les aspects de sécurité de la technique de mesure et d'automatisation doivent être réalisées de façon à minimiser les dangers résiduels. Cela concerne notamment la protection des personnes et des installations. Les capteurs sont passifs et ne peuvent déclencher aucun arrêt (relatif à la sécurité). En cas d'erreur, des mesures appropriées doivent permettre d'obtenir un état de fonctionnement sûr.





Risques généraux en cas de non-respect des consignes de sécurité

Le capteur est conforme au niveau de développement technologique actuel et présente une parfaite sécurité de fonctionnement. Le capteur peut présenter des dangers résiduels s'il est utilisé de manière non conforme.

2 MARQUAGES UTILISÉS

2.1 Marquages utilisés dans le présent document

Les remarques importantes pour votre sécurité sont repérées d'une manière particulière. Respectez impérativement ces consignes pour éviter tout accident et/ou dommage matériel.

Symbole	Signification
 AVERTISSEMENT	Ce marquage signale un risque <i>potentiel</i> qui - si les dispositions relatives à la sécurité ne sont pas respectées - <i>peut avoir</i> pour conséquence de graves blessures corporelles, voire la mort.
Note	Ce marquage signale une situation qui - si les dispositions relatives à la sécurité ne sont pas respectées - <i>peut avoir</i> pour conséquence des dégâts matériels.
 Important	Ce marquage signale que des informations <i>importantes</i> concernant le produit ou sa manipulation sont fournies.
 Conseil	Ce marquage est associé à des conseils d'utilisation ou autres informations utiles.
 Information	Ce marquage signale que des informations concernant le produit ou sa manipulation sont fournies.
<i>Mise en valeur</i> <i>Voir ...</i>	Pour mettre en valeur certains mots du texte, ces derniers sont écrits en italique.

2.2 Symboles apposés sur l'appareil

Marquage CE



Le marquage CE permet au constructeur de garantir que son produit est conforme aux exigences des directives européennes correspondantes (la déclaration de conformité est disponible sur le site Internet de HBK www.hbm.com ou www.hbkworld.com).

3 CONDITIONS ENVIRONNANTES À RESPECTER

Les capteurs de pesage de la série Z6R/Z6R-P sont fermés hermétiquement et sont donc particulièrement insensibles à l'humidité. Les capteurs de pesage doivent toutefois être protégés contre une présence permanente d'humidité.

Protection contre la corrosion

Le capteur de pesage doit être protégé contre les produits chimiques susceptibles d'attaquer l'acier du corps du capteur ou le câble.

Note

Les acides et toutes les substances libérant des ions attaquent également les aciers inoxydables et leurs cordons de soudure.

La corrosion éventuelle qui peut en résulter est susceptible d'entraîner la défaillance du capteur. Dans ce cas, il faut prévoir des mesures de protection appropriées.

Dépôts

La poussière, l'encrassement et autres corps étrangers ne doivent pas s'accumuler sous peine de dévier une partie de la force de mesure sur le boîtier et ainsi de fausser la valeur de mesure (shunt).

4 MONTAGE MÉCANIQUE

4.1 Précautions importantes lors du montage

- Manipuler le capteur avec précaution.
- Aucun courant de soudage ne doit traverser le capteur. Si cela risque de se produire, le capteur doit être shunté électriquement à l'aide d'une liaison de basse impédance appropriée. À cet effet, HBK propose par ex. le câble de mise à la terre très souple EEK vissé au-dessus et au-dessous du capteur.
- S'assurer que le capteur ne peut pas être surchargé.

AVERTISSEMENT

En cas de surcharge du capteur, ce dernier risque de se briser. Cela peut être dangereux pour les opérateurs de l'installation dans laquelle le capteur est monté.

Prendre des mesures de protection appropriées pour éviter toute surcharge ou pour se protéger des risques qui pourraient en découler.

Note

Les capteurs de pesage sont des éléments sensibles de précision et doivent donc être maniés avec précaution. Les chocs et les chutes risquent de provoquer un endommagement irréversible du capteur. Veiller à ce que le capteur ne puisse pas être surchargé lors du montage également.

4.2 Montage et application de charge

Fixer les capteurs de pesage au niveau des orifices de montage et appliquer la charge à l'autre extrémité. Le tableau ci-dessous indique les vis et couples de serrage à utiliser :

Charges nominales	Filetage	Classe de dureté mini.	Couple de serrage ¹⁾
20...200 kg	M8	10.9	34 N·m

¹⁾ Valeur recommandée pour la classe de dureté indiquée. Pour le dimensionnement des vis, respecter les informations correspondantes fournies par le fabricant des vis.



Important

La charge ne doit pas être appliquée du côté du raccordement du câble afin d'éviter tout shunt de force.

La charge doit être appliquée aussi précisément que possible dans la direction de mesure. Les moments de torsion, les charges excentrées et les forces transverses ou latérales entraînent des erreurs de mesure et risquent d'endommager le capteur de pesage de manière irréversible. Capturer ces influences parasites au moyen de barres de stabilisation ou de galets de guidage par exemple, ces éléments ne devant absorber aucune charge ou composante de force dans la direction de mesure (shunt qui entraîne à son tour des erreurs de mesure).

Pour réduire les influences parasites dues à l'application de charge, HBK propose diverse éléments de mise en charge selon les conditions de montage :

- Palier oscillant ZPL
(pour charges nominales 20 kg ... 200 kg) (1-Z6/200kg/ZPL)
- Anneaux à rotule ZGWR
(pour charges nominales 20 kg ... 200 kg) (1-Z6/200kg/ZGWR)
- Palier élastomère ZEL
(pour charges nominales 20 kg ... 200 kg) (1-Z6/200kg/ZEL)
- Pointeau / coupelle ZK
(pour charges nominales 20 kg ... 200 kg) (1-Z6/200kg/ZK)
- Pied de charge pendulaire PCX
(pour charges nominales 20 kg ... 200 kg) (1-Z6/PCX/500kgSet)
- Pied de charge pendulaire ZKP
(pour charges nominales 20 kg ... 200 kg) (1-Z6/ZKP/200kg)
- Plaque support / kit de montage ZPU
(pour charges nominales 20 kg ... 200 kg) (1-Z6/ZPU/200kg)

5 RACCORDEMENT ÉLECTRIQUE

Pour traiter les signaux de mesure, il est possible de raccorder :

- des amplificateurs à fréquence porteuse,
- des amplificateurs à courant continu,

convenant aux systèmes de mesure à jauges d'extensométrie.

Les capteurs de pesage sont livrés en technique six fils.

5.1 Code de câblage en technique six fils

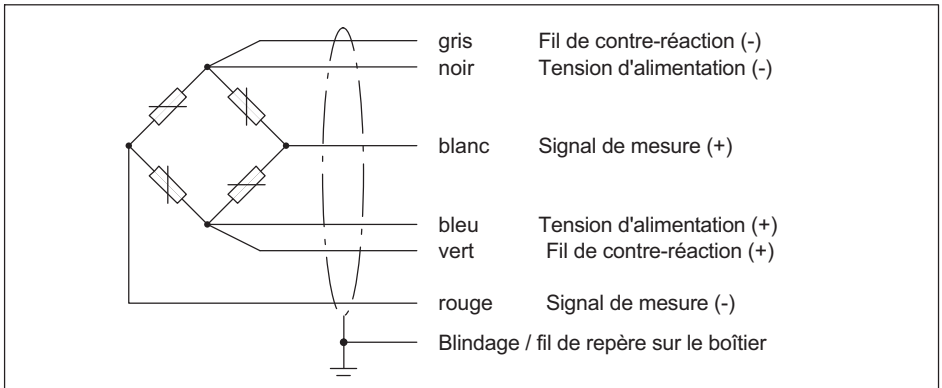
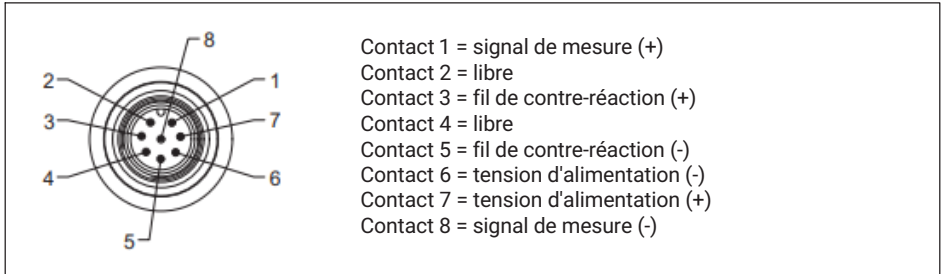


Fig. 5.1 Code de raccordement

Avec ce code de câblage, la tension de sortie de l'amplificateur de mesure est positive lorsque le capteur est sollicité.

5.2 Raccordement sur connecteur en technique six fils

Affectation des broches du connecteur pour Z6R-P (capteur de pesage Z6R avec connecteur mâle M12x1)



Accouplements (embase femelle + câble) compatibles de HBK :

Code de raccordement 1-KAB168		Code de raccordement 1-KAB175		Contact
Couleur du fil	Raccordement	Couleur du fil	Raccordement	
Blanc	Signal de mesure (+)	Blanc	Signal de mesure (+)	1
Rouge	Signal de mesure (-)	Rouge	Signal de mesure (-)	8
Bleu	Tension d'alimentation (+)	Bleu	Tension d'alimentation (+)	7
Rose	Tension d'alimentation (-)	Noir	Tension d'alimentation (-)	6
Vert	Fil de contre-réaction (+)	Vert	Fil de contre-réaction (+)	3
Gris	Fil de contre-réaction (-)	Gris	Fil de contre-réaction (-)	5
Jaune	Libre			-
Marron	Libre			-

Accouplements	
Accouplement avec connecteur M12 F, 8 pôles, TPU IP67, gaine PUR, 5 m de long	1-KAB168-5
Accouplement avec connecteur M12 F, 8 pôles, TPU IP67, gaine PUR, 20 m de long	1-KAB168-20
Accouplement avec connecteur M12 F, 8 pôles, acier inoxydable, IP68/69, version hygiénique, 3 m de long	1-KAB175-3-1
Accouplement avec connecteur M12 F, 8 pôles, acier inoxydable, IP68/69, version hygiénique, 6 m de long	1-KAB175-6-1
Accouplement avec connecteur M12 F, 8 pôles, acier inoxydable, IP68/69, version hygiénique, 12 m de long	1-KAB175-12-1

5.3 Code de câblage en technique quatre fils

Lors du raccordement de capteurs en technique six fils à un amplificateur en technique quatre fils, il est nécessaire de relier les fils de contre-réaction des capteurs aux fils de tension d'alimentation correspondants : (+) avec (+) et (-) avec (-), voir Fig. 5.1. Cette mesure réduit entre autres la résistance intrinsèque des fils de tension d'alimentation. Toutefois, une perte de tension, liée à la résistance intrinsèque encore présente et non compensée par la technique six fils, se produit sur tous les fils d'alimentation. La majeure partie de cette perte peut être éliminée par un calibrage, cependant la partie dépendant de la température reste.



Important

Le TK_C indiqué dans les caractéristiques techniques du capteur n'est donc pas valable, lors d'un raccordement en technique quatre fils, pour la combinaison câble/capteur. Dans ce cadre, la partie du câble doit être ajoutée à cela.

Les écarts suivants apparaissent lorsque le câble n'est pas raccourci (3 m) :

- Sensibilité env. -0,2 %
- TK_C env. -0,01 % par 10 K.

5.4 Raccourcissement de câble

Lors d'un raccordement du capteur à l'amplificateur en technique six fils, le câble du capteur peut être raccourci, le cas échéant, sans nuire à l'exactitude de mesure.

5.5 Rallonge de câble

Utiliser uniquement des câbles de mesure blindés de faible capacité comme rallonges. Veiller à obtenir une connexion parfaite avec une faible résistance de contact.

Le câble d'un capteur à six fils peut être rallongé avec un câble de même type.

Types de câble HBK recommandés :

- KAB7.5/00-2/2/2 (au mètre, n° de commande 4-3301.0071 pour la version grise ou 4-3301.0082 pour la version bleue)
- CABA1 (rouleau de câble, n° de commande CABA1/20 = 20 m ou CABA1/100 = 100 m de long)

5.6 Branchement en parallèle

Seuls les capteurs de pesage avec sortie ajustée (sensibilité nominale et résistance de sortie) sont adaptés pour un branchement en parallèle. Pour brancher les capteurs de pesage en parallèle, relier ensemble les extrémités de conducteur de même couleur des câbles de raccordement des capteurs de pesage. HBK propose à cet effet les boîtiers de

raccordement VKK, même pour la protection antidéflagrante. Le signal de sortie correspond alors à la valeur moyenne des différents signaux de sortie.



Important

Lorsque les capteurs de pesage sont branchés en parallèle, il n'est plus possible de détecter la surcharge d'un capteur de pesage individuel au moyen du signal de sortie.

5.7 Protection CEM

Les champs électriques et magnétiques provoquent souvent le couplage de tensions perturbatrices dans le circuit de mesure. Pour une mesure fiable, le système doit pouvoir transmettre sans parasitage des écarts de signaux de quelques μV du capteur à l'électronique d'exploitation.

Planification du concept de blindage

En raison de la multitude de possibilités d'utilisation et de conditions sur site, nous pouvons uniquement vous donner des indications pour un raccordement correct. Le concept de blindage adapté à votre application doit être planifié sur place par un spécialiste compétent.

Les capteurs de pesage HBM avec câble rond blindé sont éprouvés CEM conformément à la directive européenne correspondante et portent le marquage CE. Des chocs de tension selon EN 61000-4-5 peuvent générer des écarts supérieurs à l'exactitude spécifiée du capteur de pesage. De tels chocs de tension apparaissent dans les installations, par exemple suite à des impacts de foudre ou à des manœuvres dans des circuits de puissance. Ils disparaissent immédiatement après la perturbation. Cela est à prendre en compte en particulier pour les câbles de plus de 30 m ou en cas d'utilisation en extérieur. Dans ces cas, le client doit prendre des mesures supplémentaires.

Points à observer :

- Raccorder le blindage du câble de liaison en nappe au boîtier blindé de l'électronique. En cas d'utilisation de plusieurs capteurs de pesage, raccorder les blindages en nappe au boîtier de raccordement (regroupement des signaux de capteurs, par ex. type VKK2 de HBM). De là, raccorder le câble de mesure menant à l'électronique aussi bien en nappe au niveau du boîtier de raccordement qu'en nappe au niveau du boîtier blindé de l'électronique.
- Le blindage du câble de liaison ne doit pas servir de dérivation pour les différences de potentiel au sein du système. Poser plutôt des lignes d'équipotentialité de dimension suffisante pour compenser les différences de potentiel éventuelles.
- Utiliser uniquement des câbles de mesure blindés de faible capacité (les câbles de mesure HBM remplissent cette condition).
- Éviter absolument de poser les câbles de mesure en parallèle avec des câbles électriques, notamment des lignes de puissance et de contrôle. Si cela n'est pas possible, protéger le câble de mesure, par ex. à l'aide de tubes en acier blindé.

- Éviter les champs de dispersion des transformateurs, moteurs et vannes.



Important

Pour les applications en atmosphère explosible, il faut impérativement avoir une liaison équipotentielle.

L'élimination correcte d'appareils usagés permet d'éviter les dommages écologiques et les risques pour la santé.

Comme les instructions d'élimination des déchets diffèrent d'un pays à l'autre, nous vous prions, le cas échéant, de demander à votre fournisseur quel type d'élimination des déchets ou de recyclage est mis en œuvre dans votre pays.

Emballages

L'emballage d'origine HBK se compose de matériaux recyclables et peut donc être recyclé. Conserver toutefois l'emballage au moins durant la période de garantie.

Pour des raisons écologiques, il est préférable de ne pas nous renvoyer les emballages vides.

7 CARACTÉRISTIQUES TECHNIQUES

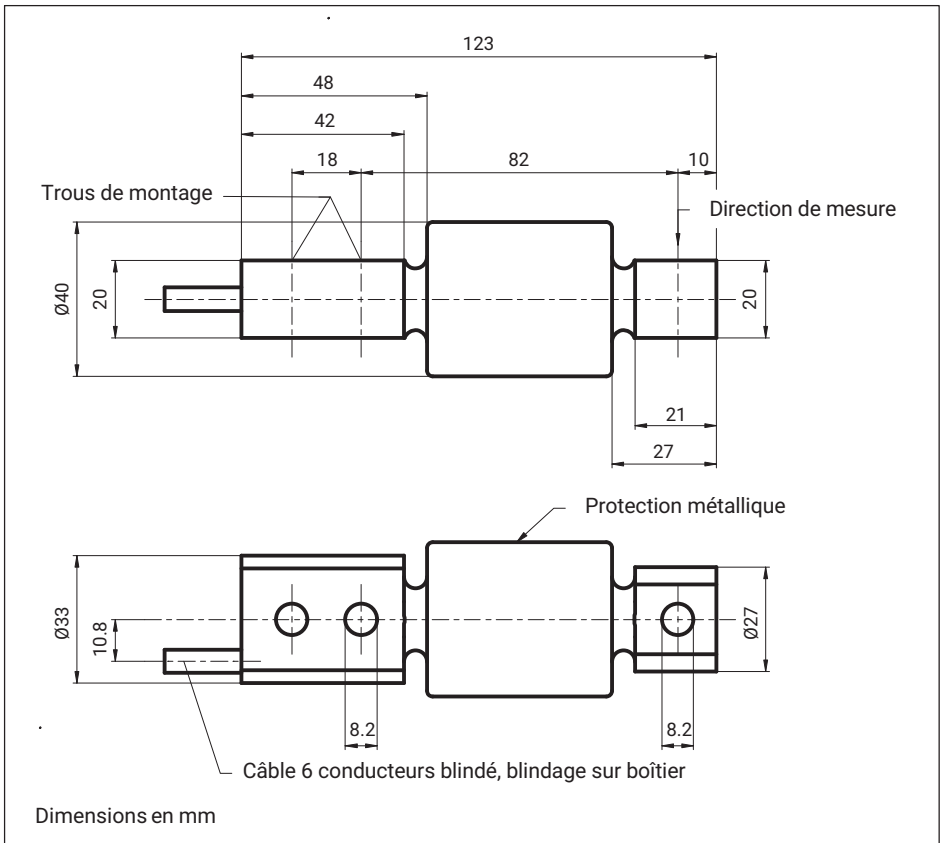
Type			Z6R, Z6R-P
Classe de précision			C3
Nombre d'échelons de vérification	n_{LC}		3000
Charge nominale	E_{max}	kg	20 ; 50 ; 100 ; 200
Sensibilité	C_n	mV/V	2
Tolérance de sensibilité		%	±0,05
Résistance d'entrée	R_{LC}	Ω	350 ... 480
Résistance de sortie	R_0		356 ±0,12 355 ±0,12 (Z6R-P)
Tension d'alim. de référence	U_{ref}	V	5
Plage nominale de tension d'alimentation	B_U		0,5 ... 12
Résistance d'isolement pour 100 V _{C.C.}	R_{is}	GΩ	> 5
Plage nominale de température	B_T	°C	-10 ... +40
Plage utile de température	B_{tu}		-30 ... +70
Plage de température de stockage	B_{tl}		-50 ... +85
Charge limite	E_L	% de	150
Charge de rupture	E_d	E_{max}	≥300
Longueur de câble, technique 6 fils		m	3
Degré de protection selon EN 60529 (IEC 529)	Z6R: IP68 (conditions d'essai : 2 m de colonne d'eau / 1.000 h) Z6R-P: jusqu'à IP68/IP69K		
Matériau	<p>Élément de mesure Boîtier Entrée de câble Gaine de câble</p> <p>Acier inoxydable¹⁾ Acier inoxydable¹⁾ Acier inoxydable / Viton® PVC optionale TPE ou PUR</p>		

¹⁾ Selon EN 10088-1.

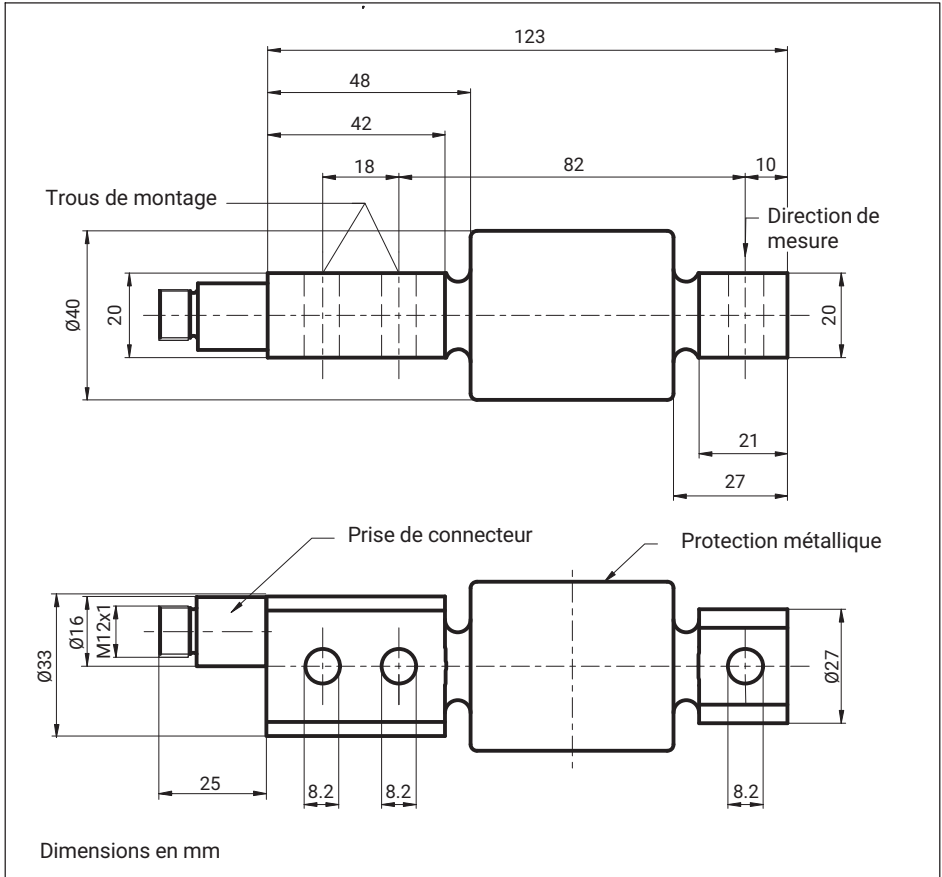
Charge nom.		kg	20	50	100	200
Charge dynamique admissible	F_{srel}	% de E_{max}	70			
Déplacement nom. approx.	s_{nom}	mm	0,30			
Poids approx.	G	kg	0,6			

8 DIMENSIONS

Z6R/20 kg ... 200 kg



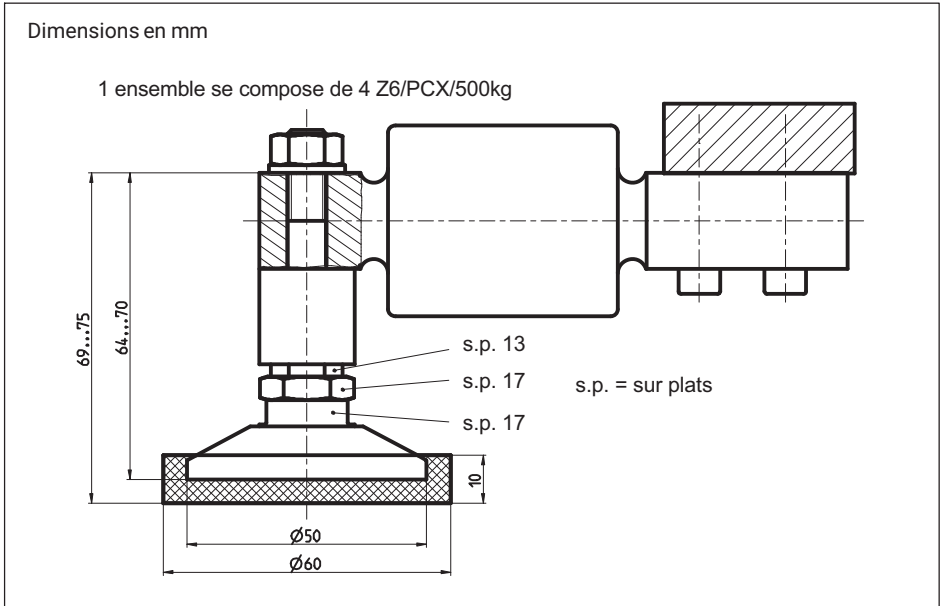
Z6R-P/20 kg ... 200 kg



9 ACCESSOIRES

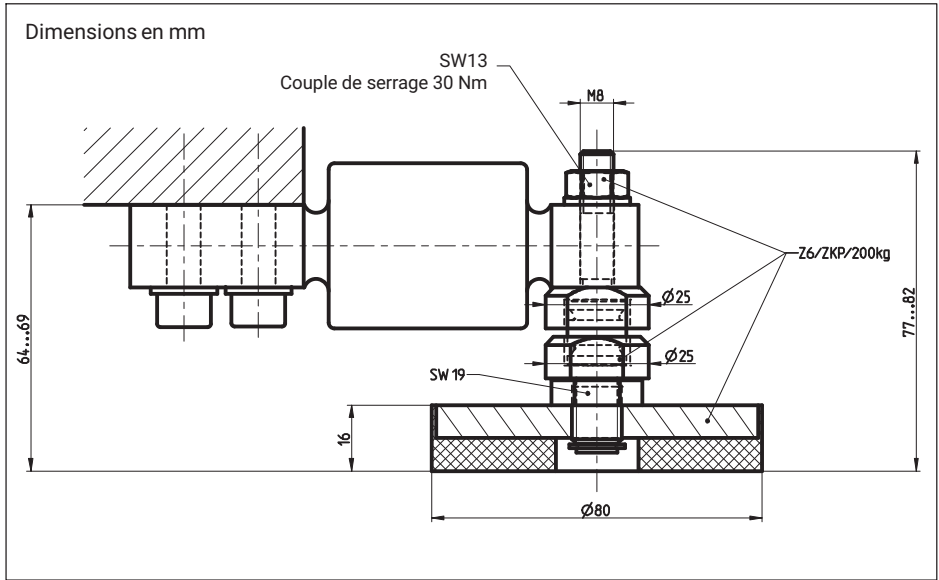
9.1 Pied de charge pendulaire PCX

1-Z6/PCX/500kgSet, $E_{max} = 20 \text{ kg} \dots 200 \text{ kg}$



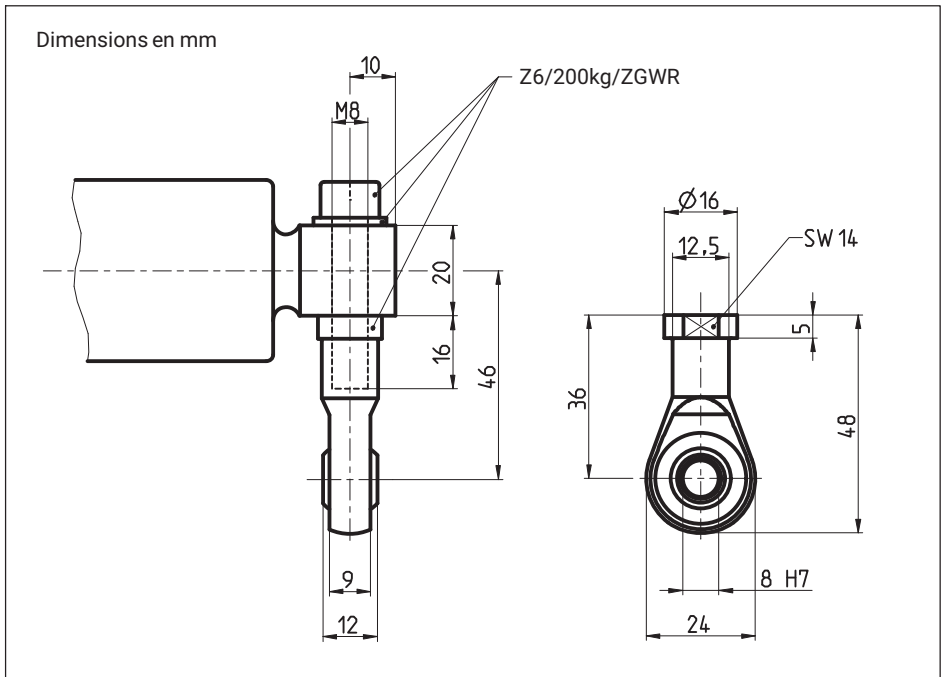
9.2 Pieds de charge pendulaires ZKP

1-Z6/ZKP/200kg, $E_{\max} = 20 \text{ kg} \dots 200 \text{ kg}$



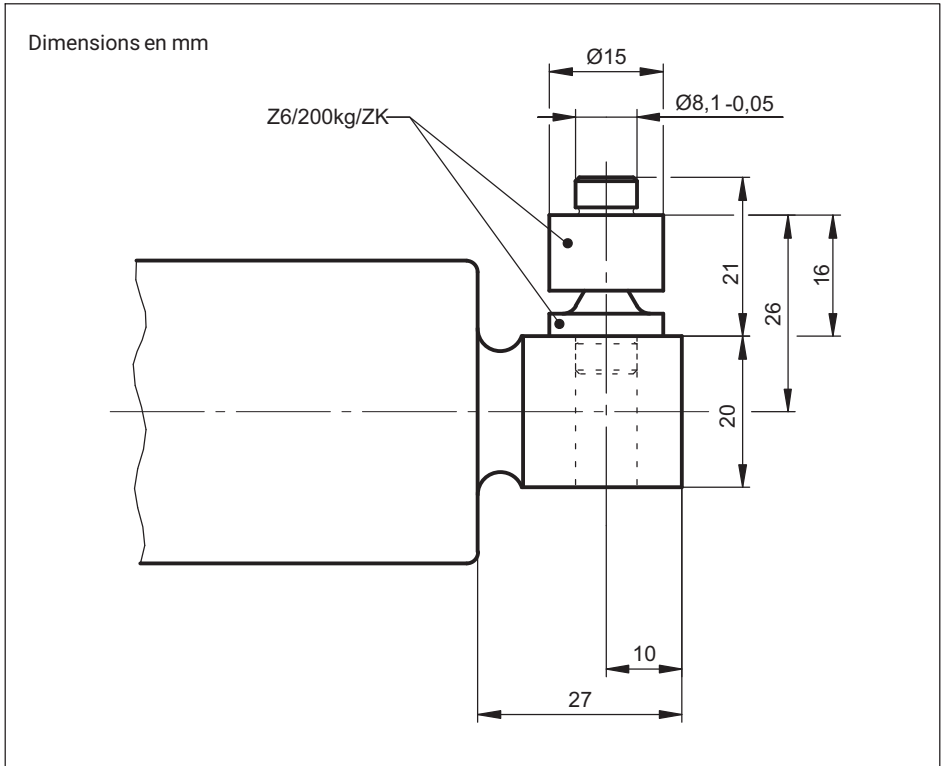
9.3 Anneau à rotule ZGWR

1-Z6/200kg/ZGWR, $E_{max} = 20 \text{ kg} \dots 200 \text{ kg}$



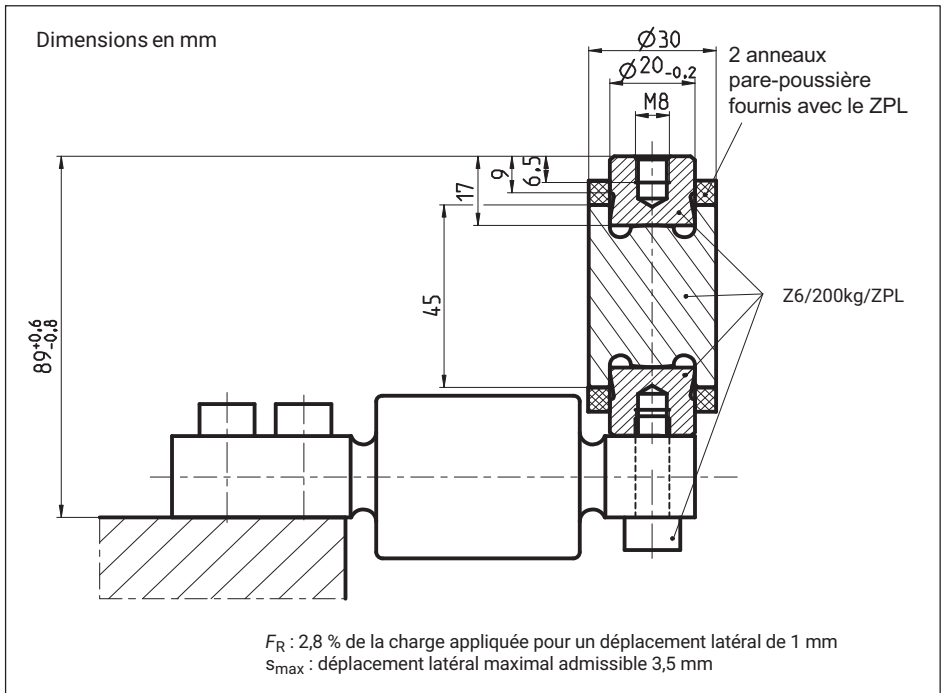
9.4 Pointeau, coupelle ZK

1-Z6/200kg/ZK, $E_{\max} = 20 \text{ kg} \dots 200 \text{ kg}$



9.5 Palier oscillant ZPL

1-Z6/200kg/ZPL, $E_{\max} = 20 \text{ kg} \dots 200 \text{ kg}$



9.7 Plaque support / kit de montage

1-Z6/ZPU/200kg, $E_{max} = 20 \text{ kg} \dots 200 \text{ kg}$

