

ENGLISH DEUTSCH FRANÇAIS

Instructions for use Gebrauchsanweisung Instructions d'emploi



X60

Hottinger Brüel & Kjaer GmbH
Im Tiefen See 45
D-64293 Darmstadt
Tel. +49 6151 803-0
Fax +49 6151 803-9100
info@hbkworld.com
www.hbkworld.com

Mat.: 7-2101.0700
DVS: A01650 06 Y00 00
08.2022

© Hottinger Brüel & Kjaer GmbH

Subject to modifications.
All product descriptions are for general information only. They are not to be understood as a guarantee of quality or durability.

Änderungen vorbehalten.
Alle Angaben beschreiben unsere Produkte in allgemeiner Form. Sie stellen keine Beschaffenheits- oder Haltbarkeitsgarantie dar.

Sous réserve de modifications.
Les caractéristiques indiquées ne décrivent nos produits que sous une forme générale. Elles n'impliquent aucune garantie de qualité ou de durabilité.

ENGLISH DEUTSCH FRANÇAIS

Instructions for use



X60

TABLE OF CONTENTS

1	Safety instructions	3
2	General information	3
2.1	Scope of delivery	3
2.2	Field of application	4
2.3	Temperature limits	4
2.4	Elongation	4
3	SG preparation	4
4	Preparing the adhesive surfaces	5
4.1	General information	5
4.2	Coarse cleaning	5
4.3	Degreasing	5
4.4	Roughening	5
4.5	Fine cleaning	6
4.6	Preparation of non-metallic bonding surfaces	6
5	Preparing the SG installation	7
6	SG installation	9
6.1	Mixing the adhesive	9
6.2	Applying the adhesive	9
6.3	Curing	10
6.4	Further application options	10
7	Storage	11
7.1	Minimum life	11
7.2	Refilling of bulk packs	11
8	Specifications	12

1 SAFETY INSTRUCTIONS

It is essential to note the details given in the Material Safety Data Sheet of the product. You can download the safety data sheet via the HBM website: <http://www.hbm.com/sds/>.

2 GENERAL INFORMATION

X60 consists of a powder component A and a liquid component B.

2.1 Scope of delivery

- Component A (0.1 kg; 0.4 kg in refill pack X60-NP)
- Component B (2x40 ml; 320 ml in refill pack X60-NP)
- Mixing cups
- Stirrers
- Cellophane foils
- Measuring spoon
- Usage instructions

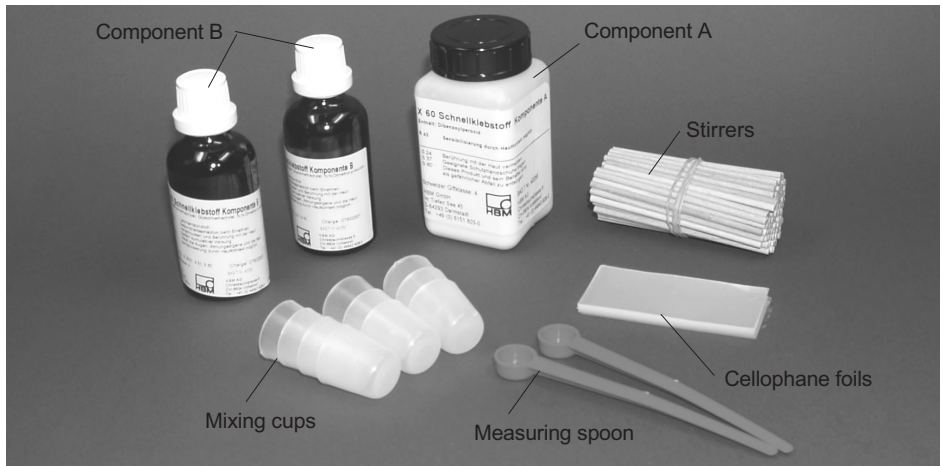


Fig. 2.1

2.2 Field of application

X60 superglue is an adhesive intended for the installation of strain gages (SG). It is suitable for SG in the series:

- Y, C, LD (optimal suitability)
- G, M

The adhesive is simple and easy to use. X60 bonds with all metals commonly used in engineering, various non-metallic materials (e.g. concrete, porcelain, glass) and a series of plastics.

The customer must qualify and assess the quality of the adhesive bond.

2.3 Temperature limits

- For zero-point related measurements: -200°C to +60°C.
- For non zero-point related measurements: -200°C to +60°C.

Please also note the temperature ranges stated in the SG or solder terminal specifications.

2.4 Elongation

Maximum elongation depends on cleanliness and the material being bonded. The size and type of SG and the temperature are also important factors. With high-strain gages (polyimide carrier), elongation and compression of up to 50,000 µm/m (<5%) can be achieved at room temperature.

3 SG PREPARATION

Strain gages supplied ex factory are in working condition and may only be handled with tweezers.

If the SG is contaminated during handling:

- ▶ Carefully clean the adhesive side of the SG with a cotton bud soaked in solvent (such as RMS1 or RMS1-SPRAY).
- ▶ Carefully allow any remaining solvent to evaporate.



Important

If the SG has an installation aid (adhesive tape), make sure that the adhesive film of the tape is not dissolved by the cotton bud and transferred to the SG.

4 PREPARING THE ADHESIVE SURFACES

4.1 General information

The installation quality basically depends on the preparation of the measuring point. The aim is to create a surface that is even and oxide-free so that it can be easily wetted.

The condition of the measurement object will determine which of the following steps are necessary.

4.2 Coarse cleaning

- ▶ Remove films of oxide and Eloxal, paint and other contamination from a generous area around the measuring point.

4.3 Degreasing

The choice of cleaning agent will depend on the type of impurity and the sensitivity of the material used in the workpiece being measured. Recommended for most applications is the cleaning agent RMS1 (HBM order no.: 1-RMS1 or 1-RMS1-SPRAY), a mixture of acetone and isopropanol. Powerful grease-dissolvers, such as methylethylketone or acetone, are also commonly used. Toluene is suitable for removing wax-like substances.

When larger areas are contaminated, it is advisable to first clean them with water and an abrasive agent.

- ▶ Wash over the surface to be cleaned with a piece of non-woven fabric soaked in solvent. First, clean a larger area around the measuring point, then clean ever smaller areas, so that dirt and impurities are not rubbed into the measuring point from the edges.



Important

*You should **never** use a **solvent** that is **technically pure**; **chemical purity is essential**. The solvent must **never be taken directly** from the storage container, it is better to pour some solvent into a small, clean dish first, where you can then soak up the amount of solvent required with the non-woven fabric. On no account should any remaining liquid be poured back into the storage container as this would contaminate the contents.*

4.4 Roughening

A slightly roughened surface provides a larger surface for the adhesive and therefore improves adhesion. You can obtain this kind of surface by sandblasting, etching or sanding with medium-coarse emery cloth.

- ▶ Corundum, which must be completely clean and should only be used once, is suitable for sandblasting. When using emery cloth (recommendation: 180 grain), the surface should be roughened in circles.

X60 can also be applied to smooth or polished areas if the surface of the measurement object must not be damaged.

The steps described below should be taken immediately after roughening to prevent the formation of new oxide films.

4.5 Fine cleaning

Carefully remove all dirt particles and dust.

- ▶ To do this, dip a pad of non-woven material using clean tweezers into one of the solvents mentioned above and then clean the measuring point.
- ▶ Only ever make a single stroke with each non-woven pad.
- ▶ Continue cleaning until there is no discoloration (contamination) on the non-woven pad. Make sure that the solvent has evaporated completely before taking any of the following steps.



Important

Do not use your breath to blow away any fluff that remains or touch the measuring point with your fingers after cleaning under any circumstances!

4.6 Preparation of non-metallic bonding surfaces

Non-metallic materials are generally handled in the same way as metals. The bonding surfaces must be grease-free and slightly roughened if possible. Polyolefine and untreated fluoropolymer cannot be bonded. We generally recommend carrying out tests beforehand to check bonding capability.



Important

Caution when using cleaning agents: Ensure that the cleaning agent does not dissolve or swell up the workpiece.

Roughening is not required for glass, porcelain and enamel.

For concrete, remove the cement suspension with a chisel or punch, or brush it out forcefully with a wire brush. Blow away the resulting dust with compressed air.

Porous surfaces (e.g. concrete): Seal with X60 to obtain a flat, sealed bonding surface. Mix a sufficient quantity of X60 and smooth it on with a spatula. You can bond the SG immediately after the sealing layer has been applied.

5 PREPARING THE SG INSTALLATION

Important

Because the X60 adhesive reacts so rapidly, the SG can no longer be aligned after bonding has started. Comply with the following instructions:

When the SG has a lead, the solder terminal can be attached with the SG to the workpiece in a single operation.

- ▶ First, remove residual oxide from the soldering eyelets using an eraser pencil or similar.
- ▶ Then slide the solder terminal between the lead and the carrier of the SG.
- ▶ Shorten the lead (see Fig. 5.1a and Fig. 5.1b) and fix the solder terminal in position with adhesive tape.

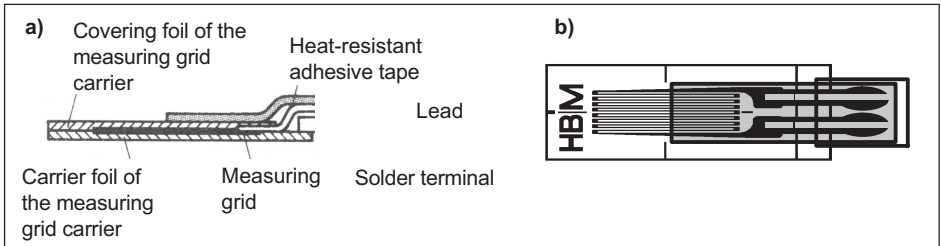


Fig. 5.1 Shorten the lead and connect to the SG

- ▶ Attach another piece of adhesive tape on top of the SG so that it overlaps on both sides.
- ▶ Place the SG on the measuring point and carefully align it. Now use the tweezers to press down firmly on one end of the adhesive strip, as far as the SG.
- ▶ Gently pull the adhesive tape on the opposite side of the SG up a little creating a hinge to lift up the SG without changing its position.

Any excess adhesive can escape via the sides of the SG that are not covered with an adhesive strip (Fig. 5.2).

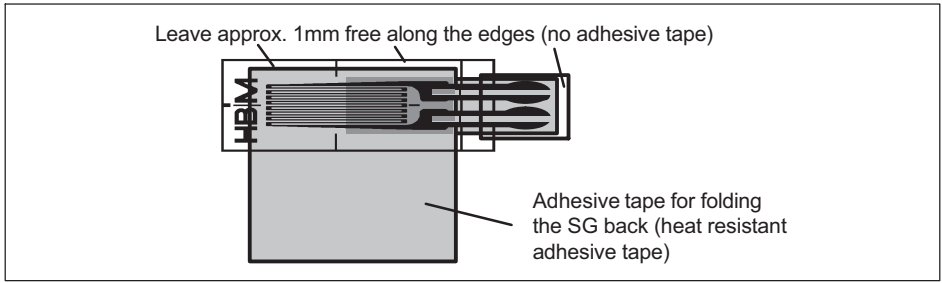


Fig. 5.2 Fixing the adhesive tape

- ▶ In SG without leads, create a hinge-like connection as shown in Fig. 5.3 (without additional solder terminals).

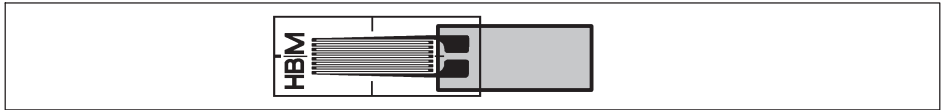


Fig. 5.3 Hinge-like connection for SG without lead

Unnecessary distribution of adhesive on the measurement object can be prevented by using a "mask".

- ▶ Apply adhesive tape around the installation area at a distance of approx. 5 to 10 mm (see Fig. 5.4).

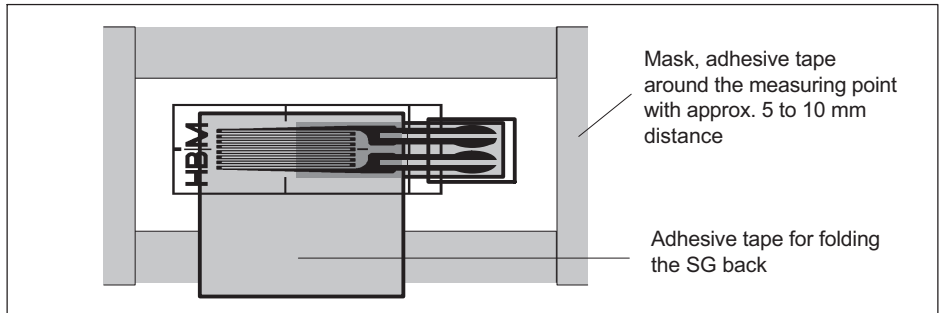


Fig. 5.4 Preparing the SG installation point

6 SG INSTALLATION

6.1 Mixing the adhesive

- ▶ Add a sufficient quantity of the powder component A to one of the cups supplied in the package. A measuring spoon filled level to the edge is sufficient for an SG with up to 30 mm active length.



Important

Shake component B well before use

- ▶ Add component B (approx. 20 drops for 1 spoon of powder) and mix thoroughly with a stirrer or spatula.

The mixture must have a creamy consistency. Only mix as much adhesive as is required for one SG and use it immediately. The pot life, i.e. the time between mixing the adhesive and the start of curing, depends on the ambient temperature. It is approx. 30 minutes at 0°C, approx. 8-10 minutes at 20°C and approx. 2-4 minutes at 30°C.



Information

The new formulation used from 12/2018 will make component B significantly more viscous and dull.



Important

Adhesive that is already beginning to harden cannot be softened again for processing as component B is not a solvent, but a component of the adhesive that cures it chemically. Ensure that the hardening powder does not come into contact with the liquid component when using the adhesive. Even minute traces on the lip or cap of the bottle can lead to premature hardening of the entire liquid content.

6.2 Applying the adhesive

- ▶ Apply a generous amount of adhesive to the bonding area (approx. 0.5 mm thick) and fold the SG down onto the measuring point.
- ▶ Apply adhesive to the top of the SG as well.
- ▶ Cover with cellophane foil.
- ▶ Press the excess adhesive out on all sides with rolling movements of the thumb (do not twist or push!).
- ▶ The remaining adhesive layer should be as thin as possible. The adhesive on the top of the SG ensures that no air bubbles arise under the SG. Continue pressing with the

thumb on the SG for min. 10 minutes at room temperature. The adhesive will then have bonded sufficiently to ensure the SG remains in position.

At temperatures around 0°C, continue to press the SG down for approx. 20 to 30 minutes with a pressure of approx. 10 to 20 N/cm². Use weights, spring pressure, magnets or similar to apply this pressure.

- ▶ As soon as the cellophane foil can be easily removed without residues, you can start to connect the cable to the SG.



Important

Avoid thick adhesive layers, particularly at low temperatures (e.g. -50 to -200°C), or high strains as thick layers have a tendency to crack off.

6.3 Curing

As with all chemical reactions, the curing speed depends on the ambient temperature or the temperature of the bonded component. Comply with the following minimum curing times before carrying out measurements:

Temperature in °C	Curing time in minutes	
	For non zero-point related measurements	For zero-point related measurements
20	10 ... 15	20 ... 30
0	50 ... 60	60 ... 90

You can shorten the curing time at low temperatures by careful warming, e.g. with an infrared lamp.

6.4 Further application options

If it is not possible to drill holes for clamps in the vicinity of the measuring point, you can also fix the measuring cable in place with X60 by embedding it in the adhesive mass at smaller or bigger spacings. X60 is also suitable for bonding solder terminals.

Do not use X60 to cover measuring points as a moisture barrier!

7 STORAGE

7.1 Minimum life

The minimum life of component B is printed on the bottle.
Component B can be used as long as it is mixable with component A.

Intensive light (direct sunlight, ultraviolet light from mercury vapor/mixed light lamps and fluorescent tubes) can cause premature hardening or thickening of the liquid.

We recommend keeping the bottle in the closed packaging when it is not in use.

7.2 Refilling of bulk packs



Important

Component B is an inflammable fluid with a flash point of +15 °C (Abel-Pensky method). The normal professional rules for dealing with inflammable solvents and monomers must be followed.

Although X60 is physiologically harmless (it contains no halogens), we recommend that intensive contact with the skin is avoided and, after the refilling operation, the hands are washed with soap and water.

All the relevant details and regulations are summarized in the DIN safety data sheet (DIN 52900) which can be obtained from HBM if required.

Preparation

Remove the cover and dropper from the Component B bottle and rinse all parts in hot water. Any hardened remnants of adhesive will be removed by lengthy immersion in hot water. After this cleansing, the parts must be rinsed with adequately clean water. One must make certain that the bottle and dropper are absolutely clean. Leave the cleaned parts to dry completely in air in a place as well protected from dust as possible.

Filling

A polyethylene funnel is recommended for refilling the Component B. Extreme cleanliness is required. Above all, no particles of Component A must be on the bottle or in the air because these will make the adhesive unusable by premature hardening. For this reason one must always refill Component B first and the bottle of Component B must be shut tight before refilling Component A. The Component A powder can be transferred from one container to the other by using a spoon. No special precautions are necessary.

8 SPECIFICATIONS

Temperature limits		
For zero-point related measurements	°C	-200 ... +60
For non zero-point related measurements		-200 ... +60

ENGLISH DEUTSCH FRANÇAIS

Gebrauchsanweisung



X60

INHALTSVERZEICHNIS

1	Sicherheitshinweise	3
2	Allgemeines	3
2.1	Lieferumfang	3
2.2	Anwendungsbereich	4
2.3	Temperaturgrenzen	4
2.4	Dehnbarkeit	4
3	Vorbereiten der DMS	4
4	Klebeflächenvorbereitung	5
4.1	Allgemeines	5
4.2	Grobreinigung	5
4.3	Entfetten	5
4.4	Aufrauen	5
4.5	Feinreinigung	6
4.6	Vorbereiten nichtmetallischer Klebeflächen	6
5	Vorbereiten der DMS-Installation	7
6	Installation der DMS	9
6.1	Mischen des Klebstoffs	9
6.2	Auftragen des Klebstoffs	9
6.3	Aushärtung	10
6.4	Weitere Anwendungsmöglichkeiten	10
7	Lagerung	11
7.1	Mindesthaltbarkeit	11
7.2	Umfüllen von Großpackungen	11
8	Technische Daten	12

1 SICHERHEITSHINWEISE

Beachten Sie unbedingt die Angaben im Sicherheitsdatenblatt zum Produkt. Sie können das Sicherheitsdatenblatt über die Website von HBM herunterladen:

<http://www.hbm.com/sds/>.

2 ALLGEMEINES

X60 besteht aus der pulverförmigen Komponente A und der flüssigen Komponente B.

2.1 Lieferumfang

- Komponente A (0,1 kg; 0,4 kg bei Nachfüllpackung X60-NP)
- Komponente B (2x40 ml; 320 ml bei Nachfüllpackung X60-NP)
- Anrührgefäße
- Rührstäbchen
- Zellophanfolien
- Messlöffel
- Gebrauchsanweisung

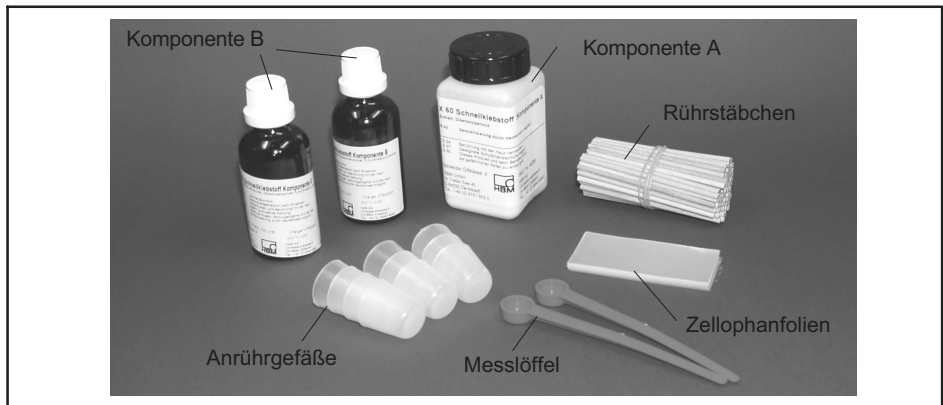


Abb. 2.1

2.2 Anwendungsbereich

Schnellklebstoff X60 ist zum Installieren von Dehnungsmessstreifen (DMS) bestimmt. Er ist geeignet für DMS der Serien:

- Y, C, LD (optimale Eignung)
- G, M

Der Klebstoff ist einfach und schnell anzuwenden. X60 bindet mit allen in der Technik üblicherweise verwendeten Metallen, mit einer Anzahl nichtmetallischer Stoffe (z. B. Beton, Porzellan, Glas) und einer Reihe von Kunststoffen.

Die Güte der Klebeverbindung muss vom Kunden qualifiziert und bewertet werden.

2.3 Temperaturgrenzen

- Für nullpunktbezogene Messungen: -200 °C bis +60°C.
- Für nicht nullpunktbezogene Messungen: -200 °C bis +60 °C.

Beachten Sie auch die in den technischen Daten für DMS oder Lötstützpunkte angegebenen Temperaturbereiche.

2.4 Dehnbarkeit

Die maximale Dehnbarkeit hängt von der Sauberkeit und dem zu beklebenden Werkstoff ab. Weiterhin sind Größe und Art des DMS sowie die Temperatur entscheidend. Zusammen mit Hochdehnungs-DMS (Polyimid-Träger) können Dehnungen und Stauchungen von bis zu 50.000 µm/m (<5%) bei Raumtemperatur erreicht werden.

3 VORBEREITEN DER DMS

Die ab Werk gelieferten DMS sind gebrauchsfähig und dürfen nur noch mit einer Pinzette berührt werden.

Falls die DMS bei der Handhabung verschmutzt wurden:

- ▶ Reinigen Sie die Klebeseite der DMS vorsichtig mit einem in Lösungsmittel (z. B. RMS1 bzw. RMS1-SPRAY) getränkten Wattestäbchen.
- ▶ Lassen Sie Lösungsmittelreste sorgfältig ablüften.



Wichtig

Achten Sie bei DMS mit Installationshilfe (Klebeband) darauf, dass der Klebfilm des Klebebands nicht mit den Wattestäbchen angelöst und auf den DMS übertragen wird.

4 KLEBEFLÄCHENVORBEREITUNG

4.1 Allgemeines

Die Qualität der Installation hängt wesentlich von der Vorbereitung der Messstelle ab. Ziel ist es, eine gleichmäßige, oxidfreie und gut benetzbare Oberfläche zu schaffen.

Welche der nachfolgend beschriebenen Schritte notwendig sind, hängt vom Zustand des Messobjekts ab.

4.2 Grobreinigung

- ▶ Entfernen Sie Oxidschichten, Eloxalschichten, Farbanstriche und andere Verunreinigungen in einem großzügig bemessenen Umkreis um die Messstelle herum.

4.3 Entfetten

Die Wahl des Reinigungsmittels richtet sich nach Art der Verschmutzung und nach der Empfindlichkeit des Materials des zu messenden Werkstückes. Für die meisten Anwendungsfälle empfiehlt sich das Reinigungsmittel RMS1 (HBM-Bestell-Nr.: 1-RMS1 oder 1-RMS1-SPRAY), ein Gemisch aus Aceton und Isopropanol. Außerdem sind stark fettlösende Stoffe wie z. B. Methylethylketon oder Aceton gebräuchlich. Toluol eignet sich zum Entfernen wachsähnlicher Stoffe.

Wir empfehlen, bei starker Verschmutzung größere Flächen zunächst mit Wasser und Scheuermittel zu reinigen.

- ▶ Waschen Sie die zu reinigende Fläche mit einem lösungsmittelgetränkten Vliesstoff ab. Reinigen Sie zunächst eine größere Fläche um die Messstelle herum, dann immer kleinere Flächen, um nicht von den Rändern her Schmutz in die Messstelle einzubringen.



Wichtig

Verwenden Sie **niemals** ein **Lösungsmittel** von nur **technischer Reinheit**; **chemische Reinheit** ist **unbedingt erforderlich**. Schütten Sie das Lösungsmittel zunächst in eine kleine saubere Schale, aus der Sie dann mit dem Vliesstoff das Lösungsmittel aufsaugen, verwenden Sie es **nicht direkt** aus dem Vorratsbehälter. Auf keinen Fall dürfen Reste in den Vorratsbehälter zurückgeschüttet werden, da dann der gesamte Inhalt des Vorratsbehälters verschmutzt wird.

4.4 Aufrauen

Eine leicht aufgeraute Oberfläche bietet dem Klebstoff eine vergrößerte Oberfläche für eine verbesserte Haftung. Sie erreichen eine solche Oberfläche durch Sandstrahlen, Beizen oder durch Schleifen mit mittelgrobem Schmirgelleinen.

- ▶ Zum Sandstrahlen eignet sich Stahlkorund, der absolut sauber sein muss und nur einmal verwendet werden sollte. Bei der Verwendung von Schmirgelleinen (Empfehlung: Körnung 180) sollten Sie mit kreisenden Bewegungen aufrauen.

Wenn die Oberfläche des Messobjekts nicht verletzt werden darf, können Sie X60 auch an glatten oder polierten Flächen anwenden.

Die nachfolgenden Arbeitsvorgänge sollten unmittelbar nach dem Aufrauen erfolgen, um zu verhindern, dass sich erneut Oxidschichten bilden.

4.5 Feinreinigung

Entfernen Sie sorgfältig alle Schmutzpartikel und Staub.

- ▶ Tauchen Sie dazu mit einer sauberen Pinzette ein Vliesstoffpad in eines der oben genannten Lösungsmittel und reinigen Sie damit die Messstelle.
- ▶ Führen Sie jeweils nur einen Strich mit einem Vliesstoffpad aus.
- ▶ Wiederholen Sie die Reinigung so lange, bis der Vliesstoff keine Verfärbung (Verunreinigung) mehr zeigt. Achten Sie darauf, dass das Lösungsmittel vollständig verdampft, bevor Sie mit den nachfolgenden Arbeitsschritten beginnen.



Wichtig

Blasen Sie zurückgebliebene Fussel auf keinen Fall mit Atemluft weg und berühren Sie die Messstelle nicht mehr mit den Fingern!

4.6 Vorbereiten nichtmetallischer Klebeflächen

Nichtmetallische Werkstoffe werden prinzipiell in der gleichen Weise behandelt wie Metalle. Die Klebeflächen müssen fettfrei und nach Möglichkeit etwas aufgeraut sein.

Nicht beklebbar sind Polyolefine und unbehandeltes Fluorpolymer. Generell empfehlen wir, die Bindefähigkeit durch Vorversuche zu testen.



Wichtig

Vorsicht bei der Verwendung von Reinigungsmitteln: achten Sie darauf, dass das Reinigungsmittel das Werkstück nicht anlöst oder anquillt.

Bei Glas, Porzellan und Emaille können Sie auf das Aufrauen verzichten.

An Beton entfernen Sie die Zementsuspension mit Meißel oder Körner oder bürsten Sie sie mit einer Drahtbürste kräftig heraus. Blasen Sie den entstandenen Staub mit Pressluft weg.

Poröse Flächen (z. B. Beton): mit X60 „spachteln“, um ebene, geschlossene Klebeflächen zu schaffen. Mischen Sie eine ausreichende Menge X60 und tragen Sie ihn mit einem Spachtel glatt auf. Sie können den DMS sofort nach dem Anziehen der Spachtelschicht kleben.

5 VORBEREITEN DER DMS-INSTALLATION



Wichtig

Infolge der kurzen Reaktionszeit des Klebstoffs X60 ist ein Ausrichten des DMS nicht mehr möglich, nachdem der Klebevorgang begonnen wurde. Beachten Sie deshalb die nachfolgenden Hinweise.

Bei DMS mit Anschlussbändchen kann der Lötstützpunkt in einem Arbeitsgang mit dem DMS auf das Werkstück aufgebracht werden.

- ▶ Befreien Sie zunächst die Lötäugen des Stützpunktes mit einem Radierstift oder ähnlichem von Oxidresten.
- ▶ Schieben Sie den Lötstützpunkt zwischen Bändchen und Träger des DMS.
- ▶ Kürzen Sie die Anschlussbändchen (siehe Abb. 5.1a und Abb. 5.1b) und fixieren Sie den Lötstützpunkt mit einem Stück Klebeband.

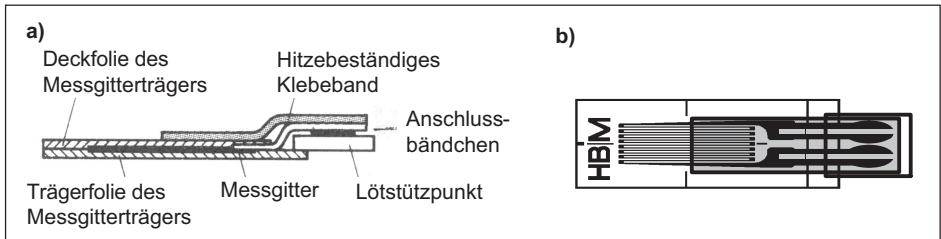


Abb. 5.1 Anschlussbändchen kürzen und mit DMS verbinden

- ▶ Kleben Sie ein weiteres Stück Klebeband beidseitig überlappend auf die Oberseite des DMS.
- ▶ Legen Sie den DMS auf die Messstelle und richten Sie ihn sorgfältig aus. Drücken Sie dann ein Ende des Klebestreifens bis an den DMS mit der Pinzette fest an.
- ▶ Ziehen Sie an der gegenüberliegenden Seite den DMS mit Klebeband wieder etwas ab, so dass ein Scharnier entsteht, mit dem der DMS angehoben werden kann, ohne dass sich seine Position verändert.

Durch die nicht mit Klebstreifen abgedeckten Seiten des DMS kann überschüssiger Klebstoff entweichen (Abb. 5.2).

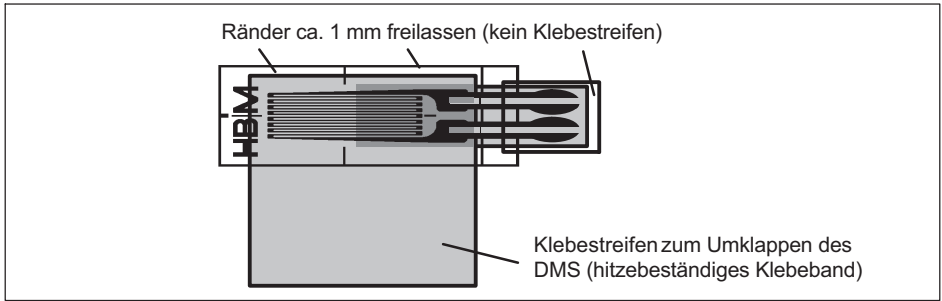


Abb. 5.2 Fixieren des Klebebandes

- ▶ Stellen Sie bei DMS ohne Anschlussbändchen die scharnierartige Verbindung nach Abb. 5.3 her (ohne zusätzliche Lötstützpunkte).

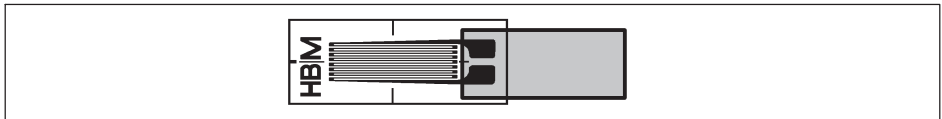


Abb. 5.3 Scharnierartige Verbindung bei DM ohne Anschlussbändchen

Mit einer „Maske“ wird unnötiges Verteilen von Klebstoff auf dem Messobjekt verhindert.

- ▶ Bringen Sie ein Klebeband im Abstand von ca. 5 bis 10 mm um die Installationsfläche an (siehe Abb. 5.4).

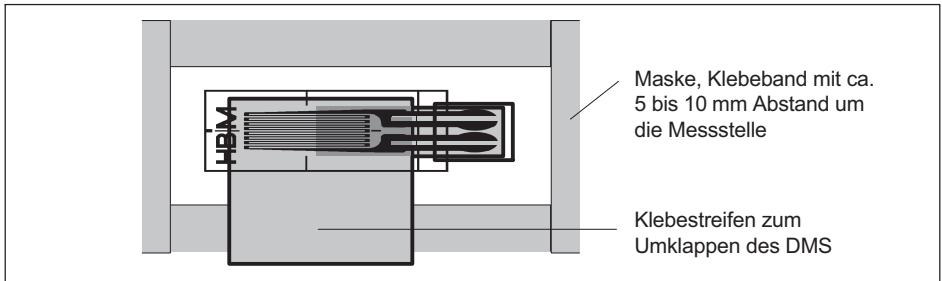


Abb. 5.4 Vorbereiten der DMS-Installationsstelle

6 INSTALLATION DER DMS

6.1 Mischen des Klebstoffs

- ▶ Füllen Sie in eines der den Packungen beiliegenden Näpfcchen eine ausreichende Menge des Pulvers Komponente A. Eine gestrichen gefüllte Kelle reicht für einen DMS bis 30 mm aktiver Länge aus.



Wichtig

Komponente B vor Gebrauch gut schütteln.

- ▶ Geben Sie Komponente B hinzu (ca. 20 Tropfen auf 1 Kelle Pulver) und mischen Sie mit einem Rührstäbchen oder Spachtel



Information

Mit der neuen Rezeptur ab 12/2018 ist die Komponente B deutlich viskoser und trüber.

Die Mischung muss cremartig werden. Rühren Sie jeweils nur so viel Klebstoff an, wie für einen DMS gebraucht wird und verarbeiten Sie diesen sofort. Die Topfzeit, das ist die Zeit vom Anrühren des Klebstoffs bis zum Beginn des Erhärtens, hängt von der Umgebungstemperatur ab. Sie beträgt bei 0 °C ca. 30 min, bei 20 °C ca. 8-10 min und bei 30 °C ca. 2-4 min.



Wichtig

Bereits steif werdender Klebstoff lässt sich durch Zusatz von Flüssigkeit auf keinen Fall wieder verarbeitungsfähig machen, denn die Komponente B ist kein Lösungsmittel, sondern ein in chemischer Reaktion aushärtender Bestandteil des Klebstoffs. Achten Sie auch darauf, dass das Härtepulver nicht mit der flüssigen Komponente in Berührung kommt. Selbst kleine Spuren am Ausguss oder Verschluss der Flasche können vorzeitige Erhärtung des gesamten Inhalts bewirken.

6.2 Auftragen des Klebstoffs

- ▶ Tragen Sie auf die Klebestelle reichlich Klebstoff auf (ca. 0,5 mm dick) und klappen Sie den DMS auf die Messstelle zurück.
- ▶ Tragen Sie auch Klebstoff auf der Oberseite des DMS auf.
- ▶ Decken Sie die Zellophanfolie darüber.
- ▶ Pressen Sie den Klebstoffüberschuss mit abrollenden Bewegungen des Daumens allseitig heraus (nicht zerrn oder schieben!).
- ▶ Die verbleibende Klebstoffschicht soll möglichst dünn werden. Der Klebstoff auf der Oberseite des DMS verhindert, dass sich Luftblasen unter den DMS ziehen. Bei Raum-

temperatur den DMS noch mindestens 10 Minuten lang mit dem Daumen andrücken. Der Klebstoff ist dann soweit abgebunden, dass der DMS in Position bleibt.

Bei Temperaturen um 0 °C den DMS ca. 20 bis 30 Minuten lang mit ca. 10 bis 20 N/cm² andrücken. Sie können den Druck durch Gewichte, Federdruck, Magnete o. Ä. aufbringen.

- ▶ Sobald sich die Zellophanfolie leicht und rückstandslos abziehen lässt, können Sie mit dem Anschließen der Kabel an den DMS beginnen.



Wichtig

Vermeiden Sie dicke Klebstoffschichten, insbesondere bei tiefen Temperaturen (z. B. -50 bis -200 °C) oder hohen Dehnungen, da dicke Schichten zum Abspringen neigen.

6.3 Aushärtung

Wie bei allen chemischen Reaktionen, hängt die Härtegeschwindigkeit von der Umgebungstemperatur bzw. der Temperatur des beklebten Bauteils ab. Halten Sie bis zum Beginn der Messung nachstehende Mindesthärtezeiten ein:

Temperatur in °C	Aushärtezeit in Minuten	
	nicht nullpunktbez. Messungen	nullpunktbez. Messungen
20	10 ... 15	20 ... 30
0	50 ... 60	60 ... 90

Bei niedriger Temperatur können Sie die Härtezeit durch vorsichtige Erwärmung, z. B. mit einem Infrarotstrahler, abkürzen.

6.4 Weitere Anwendungsmöglichkeiten

Wenn in der Umgebung der Messstelle keine Bohrungen für Schellen usw. angebracht werden dürfen, können Sie auch das Messkabel mit X60 befestigen, indem Sie es – je nach Bedarf – in kleineren oder größeren Abständen in die Masse einbetten. Ebenso eignet sich X60 zum Befestigen von Lötstützpunkten.

Verwenden Sie X60 nicht zum Abdecken von Messstellen als Feuchtigkeitsschutz!

7 LAGERUNG

7.1 Mindesthaltbarkeit

Die Mindesthaltbarkeit der Komponente B ist auf der Flasche angegeben.

Die Komponente B ist gebrauchsfähig, solange sie mit Komponente A mischfähig ist.

Intensive Lichteinwirkung (direkte Sonneneinstrahlung, ultraviolettes Licht von Quecksilberdampf-, Mischlichtlampen und Leuchtstoffröhren) kann die Flüssigkeit vorzeitig erhärten oder eindicken lassen.

Wir empfehlen, die Flasche in der geschlossenen Packung zu verwahren, solange sie nicht gebraucht wird.

7.2 Umfüllen von Großpackungen



Wichtig

Die Komponente B ist eine brennbare Flüssigkeit mit einem Flammpunkt von +15 °C (Abel-Pensky). Die für brennbare Lösungsmittel und Monomere gültigen berufsgenossenschaftlichen Vorschriften sind zu befolgen.

Obwohl X60 physiologisch unbedenklich ist (es enthält keine Halogene), empfehlen wir, intensive Benetzung der Haut zu vermeiden und nach dem Umfüllen die Hände mit Wasser und Seife zu waschen.

Alle spezifischen Daten und Vorschriften sind im DIN-Sicherheitsdatenblatt (DIN 52900) zusammengefasst, welches bei Bedarf von HBM angefordert werden kann.

Man entferne Deckel und Tropfeinsatz von der Flasche für Komponente B und spüle alle Teile in heißem Wasser. Etwaige verhärtete Klebstoffreste werden durch längeres Einweichen in heißem Wasser beseitigt. Nach dem Auswaschen sind die Teile mit klarem Wasser reichlich nachzuspülen. Es ist darauf zu achten, dass Flasche und Tropfeinsatz nach dem Spülen absolut sauber sind. Die gereinigten Teile lässt man an der Luft, an einem möglichst staubarmen Ort, völlig austrocknen.

Umfüllen

Zum Umfüllen der Komponente B wird die Verwendung eines Trichters aus Polyäthylen empfohlen. Es ist äußerste Sauberkeit geboten. Vor allem dürfen keine Staubreste von Komponente A an der Flasche oder in der Luft vorhanden sein, da diese den Klebstoff vorzeitig unbrauchbar machen. Man sollte aus diesem Grunde immer zuerst die Komponente B umfüllen und die Flasche für Komponente B vor dem Umfüllen von Komponente A fest verschließen.

Die Komponente A kann mit einem Löffel von einem Gefäß in das andere gefüllt werden, wobei keine besonderen Vorkehrungen zu treffen sind.

8 TECHNISCHE DATEN

Temperaturgrenzen		
bei nullpunktbezogenen Messungen	°C	-200 ... +60
bei nicht nullpunktbezogenen Messungen		-200 ... +60

ENGLISH DEUTSCH FRANÇAIS

Instructions d'emploi



X60

TABLE DES MATIÈRES

1	Consignes de sécurité	3
2	Généralités	3
2.1	Étendue de la livraison	3
2.2	Champ d'application	4
2.3	Limites de température	4
2.4	Allongement	4
3	Préparation de la jauge	4
4	Préparation de la surface d'encollage	5
4.1	Généralités	5
4.2	Nettoyage préliminaire	5
4.3	Dégraissage	5
4.4	Râpage	5
4.5	Nettoyage de finition	6
4.6	Préparation de surfaces d'encollage non métalliques	6
5	Préparation de l'installation de jauges	7
6	Installation de la jauge d'extensométrie	9
6.1	Mélange de la colle	9
6.2	Application de la colle	9
6.3	Polymérisation	10
6.4	Autres possibilités d'utilisation	10
7	Stockage	11
7.1	La date limite d'utilisation optimale	11
7.2	Transvaser de grands conditionnements	11
8	Caractéristiques techniques	12

1 CONSIGNES DE SÉCURITÉ

Respectez impérativement les indications fournies dans la fiche technique de sécurité relative au produit. Vous pouvez télécharger cette fiche technique de sécurité sur le site Internet de HBM : <http://www.hbm.com/sds/>.

2 GÉNÉRALITÉS

La colle X60 est constituée d'un composant pulvérulent A et d'un composant liquide B.

2.1 Étendue de la livraison

- Composant A (0,1 kg ; 0,4 kg pour la recharge X60-NP)
- Composant B (2x40 ml ; 320 ml pour la recharge X60-NP)
- Godets de mélange
- Agitateurs
- Feuilles de cellophane
- Cuillères de mesure
- Instructions de service

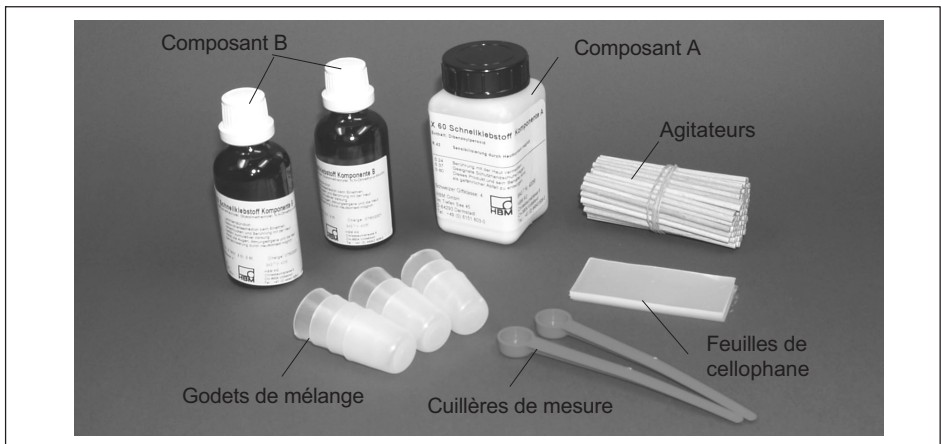


Fig. 2.1

2.2 Champ d'application

La colle rapide X60 est conçue pour l'installation de jauges d'extensométrie des séries :

Y, C, LD (convient parfaitement)

G, M

Cette colle est simple et rapide à utiliser. La X60 adhère sur tous les métaux couramment utilisés dans cette technique, sur un certain nombre de matières non métalliques (par ex. béton, porcelaine, verre) et sur plusieurs matières plastiques.

La qualité de la jonction par collage doit être qualifiée et évaluée par le client.

2.3 Limites de température

- Pour des mesures par rapport au zéro : -200°C à +60°C.
- Pour des mesures sans rapport au zéro : -200°C à +60°C.

Respectez également les plages de température indiquées dans les caractéristiques techniques des jauges ou des cosses relais.

2.4 Allongement

L'allongement maximum dépend de la propreté et du matériau support. La taille et le type de jauge ainsi que la température sont également déterminants. Avec des jauges pour grandes déformations (support en polyimide), il est possible d'atteindre des allongements et des compressions jusqu'à 50 000 $\mu\text{m}/\text{m}$ (< 5 %) à température ambiante.

3 PRÉPARATION DE LA JAUGE

Les jauges d'extensométrie sortant de l'usine sont prêtes à l'emploi et ne peuvent plus être manipulées qu'avec une pincette.

Si les jauges ont été salies lors de leur manipulation :

- ▶ Nettoyez délicatement le côté encollé de la jauge d'extensométrie à l'aide de cotons-tiges imbibés de solvant (par ex. du RMS1 ou RMS1-SPRAY).
- ▶ Laissez les restes de solvant s'évaporer.



Important

Pour les jauges avec aide à l'application (ruban adhésif), veillez à ce que le film adhésif du ruban ne soit pas attaqué par les cotons-tiges et transféré sur la jauge.

4 PRÉPARATION DE LA SURFACE D'ENCOLLAGE

4.1 Généralités

La qualité de l'installation dépend essentiellement de la préparation du point de mesure. Le but est d'obtenir une surface uniformément, exempte d'oxydes et facile à enduire.

Selon l'état de l'échantillon, il faudra effectuer une ou plusieurs des étapes décrites ci-dessous.

4.2 Nettoyage préliminaire

- ▶ Enlevez les couches d'oxyde, les couches d'anodisation, les restes de peinture et autres souillures dans un périmètre généreux autour du point de mesure.

4.3 Dégraissage

Le choix du produit de nettoyage est fonction de la nature et du degré de salissure, ainsi que de la sensibilité du matériau de la pièce à mesurer. Dans la majorité des cas, le produit de nettoyage RMS1 (n° de commande HBM : 1-RMS1 ou 1-RMS1-SPRAY), mélange d'acétone et d'isopropanol, est tout indiqué. Par ailleurs, des solvants dégraissants performants, tels que le méthyléthylcétone ou l'acétone, peuvent être utilisés. Le toluène est particulièrement adapté pour enlever les matières cireuses ou similaires.

Pour les surfaces plus importantes très sales, nous conseillons de commencer par un nettoyage à l'eau et au produit récurant.

- ▶ Lavez la surface à nettoyer avec un chiffon non tissé imprégné de solvant. Nettoyez tout d'abord une grande surface autour du point de mesure, puis des surfaces de plus en plus petites rapprochées de ce point, afin de ne pas entraîner de saletés du périmètre extérieur.



Important

*N'employez **jamais** des solvants de **grande pureté technique**. En revanche, il est **absolument indispensable** d'utiliser des solvants de **grande pureté chimique**. Versez tout d'abord le solvant dans une coupelle propre et imprégnez le chiffon dans celle-ci. Ne le faites **pas directement** à partir du bidon. Ne jamais reverser dans le bidon un reste éventuel sous peine de contaminer tout le contenu du bidon.*

4.4 Râpage

Une surface légèrement râpée offre une plus grande surface et donc une meilleure adhérence pour la colle. Vous pouvez obtenir une telle surface par sablage, décapage ou par ponçage avec une toile émeri de grain moyen.

- ▶ Pour la méthode du sablage, le corindon devra être absolument propre et neuf (à jeter après emploi). En cas d'utilisation d'une toile émeri (recommandation: un grain de 180), râper en procédant par mouvements circulaires.

Si la surface de l'échantillon ne doit pas être modifiée, la colle X60 peut aussi être appliquée sur des surfaces lisses ou polies.

Les opérations suivantes doivent être effectuées immédiatement après le râpage de façon à éviter toute nouvelle formation de couches d'oxyde.

4.5 Nettoyage de finition

Éliminez soigneusement toutes les particules de saleté et de poussière.

- ▶ Imbibez pour cela un chiffon non tissé d'un des solvants susmentionnés à l'aide d'une pincette propre et nettoyez le point de mesure.
- ▶ Ne faites qu'un seul passage sur la surface avec le chiffon.
- ▶ Changez le chiffon et répétez cette opération autant de fois que nécessaire jusqu'à ce que le chiffon ne change plus de couleur (présence d'impuretés). Veillez à ce que le solvant utilisé soit complètement évaporé avant de poursuivre les opérations.



Important

N'éliminez surtout pas les fibres de chiffon éventuellement présentes en soufflant dessus et ne touchez plus le point de mesure avec les doigts !

4.6 Préparation de surfaces d'encollage non métalliques

Les matières non métalliques se traitent en principe de la même manière que les métaux. Les surfaces d'encollage doivent être exemptes de graisse et si possible légèrement rugueuses.

Le polyoléfine et le polymère fluoré non traité ne peuvent pas être collés. Nous conseillons d'une manière générale de tester la capacité de liaison en effectuant des essais préalables.



Important

Attention en cas d'utilisation de produits de nettoyage : veillez à ce que le produit de nettoyage n'attaque pas ou ne fasse pas gonfler la pièce.

Pour le verre, la porcelaine et l'émail, il n'est pas nécessaire de procéder au râpage.

Sur le béton, éliminez le coulis de ciment à l'aide d'un burin ou d'un poinçon, ou encore en brossant énergiquement avec une brosse métallique. Enlevez la poussière qui en résulte en soufflant de l'air comprimé.

Surfaces poreuses (par ex. le béton) : égalisez en appliquant de la X60 à la spatule pour obtenir des surfaces d'encollage planes et continues. Mélangez une quantité suffisante

de X60 et appliquez-la en une surface lisse à l'aide d'une spatule. Vous pouvez coller la jauge dès que la couche de colle a été appliquée à la spatule.

5 PRÉPARATION DE L'INSTALLATION DE JAUGES



Important

En raison du temps de réaction très court de la colle X60, il n'est plus possible de repositionner la jauge une fois que le collage a commencé. Il est important, pour cette raison, de respecter les remarques suivantes.

Sur les jauges à pattes de raccordement, la cosse relais peut être appliquée en une étape avec la jauge sur la pièce.

- ▶ Éliminez dans un premier temps tout reste d'oxyde des pastilles de soudure de la cosse relais à l'aide d'un crayon-gomme ou autre moyen similaire.
- ▶ Insérez la cosse relais entre les pattes et le support de la jauge.
- ▶ Raccourcissez les pattes de raccordement (voir Fig. 5.1a et Fig. 5.1b) et fixez la cosse relais avec du ruban adhésif.

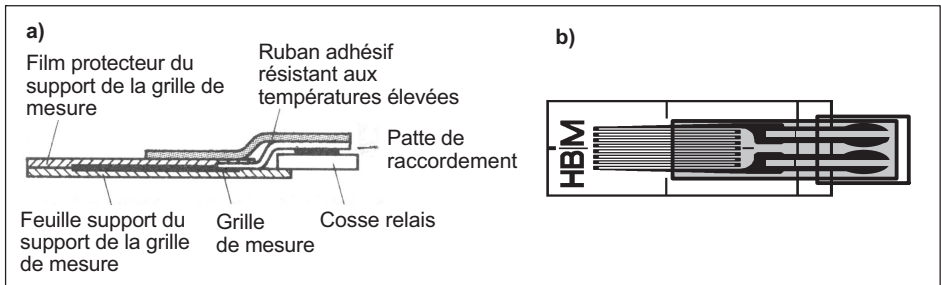


Fig. 5.1 Raccourcir les pattes et les relier à la jauge

- ▶ Collez ensuite un autre bout de ruban adhésif sur le dessus de la jauge en le laissant dépasser de chaque côté.
- ▶ Posez la jauge sur le point de mesure et alignez-la soigneusement. Rabattez alors une extrémité du ruban adhésif sur la jauge à l'aide de la pincette.
- ▶ Tirez de nouveau sur le ruban adhésif de l'autre côté de la jauge de façon à former une charnière qui permettra de soulever la jauge sans modifier sa position.

La colle superflue peut s'échapper par les côtés de la jauge qui ne sont pas recouverts de ruban adhésif (Fig. 5.2).

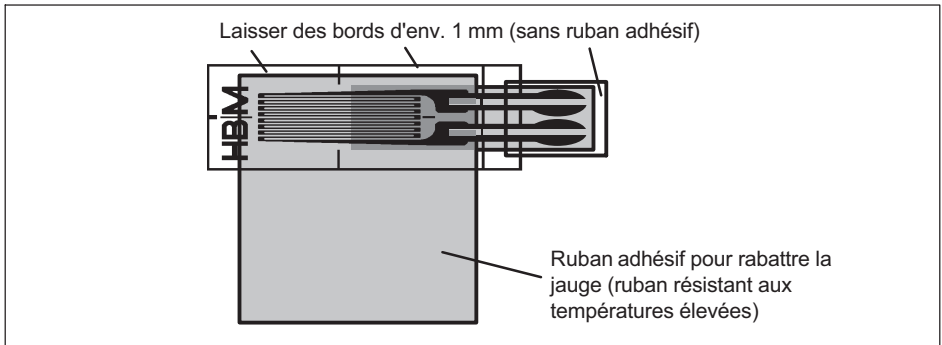


Fig. 5.2 Fixation du ruban adhésif

- Pour les jauges sans pattes de raccordement, réalisez la charnière comme indiqué sur la Fig. 5.3 (sans cosses relais supplémentaires).

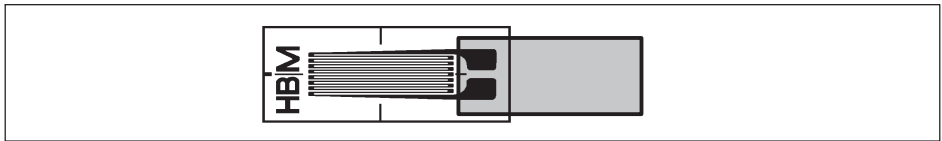


Fig. 5.3 Charnière sur jauge sans pattes de raccordement

L'utilisation d'un "masque" permet d'éviter de trop étaler la colle sur l'échantillon.

- Placez un ruban adhésif tout autour de la surface d'installation en observant un écart de 5 à 10 mm (voir Fig. 5.4).

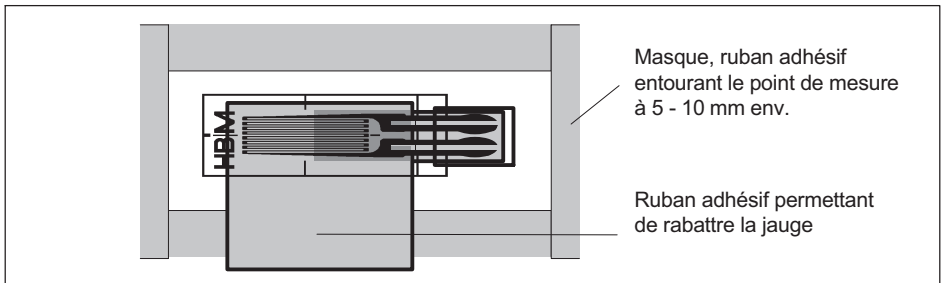


Fig. 5.4 Préparation du point d'installation de la jauge

6 INSTALLATION DE LA JAUGE D'EXTENSOMÉTRIE

6.1 Mélange de la colle

- ▶ Dans l'un des petits godets fournis, versez une quantité suffisante de poudre A. Une cuillère rase suffit pour une jauge de 30 mm de longueur active.



Important

Bien agiter le composant B avant de l'utiliser

- ▶ Ajoutez le composant B (env. 20 gouttes pour 1 cuillère de poudre) et mélangez à l'aide d'un agitateur ou d'une spatule.



Information

Dans la nouvelle recette proposée à partir de 12/2018, le composant B est nettement plus visqueux et trouble.

Le mélange doit devenir onctueux. Ne préparez que la quantité de colle dont vous avez besoin pour une jauge et utilisez-la immédiatement. La durée de fluidité, c'est-à-dire le temps entre la préparation de la colle et le début du durcissement, dépend de la température ambiante. Elle est d'env. 30 min. à 0°C, d'env. 8-10 min. à 20°C et d'env. 2-4 min. à 30°C.



Important

Il ne faut en aucun cas ajouter du liquide à une colle déjà durcie pour la rendre à nouveau utilisable. En effet, le composant B n'est pas un solvant, mais un élément de la colle qui durcit par réaction chimique.

Veillez à ce que le durcisseur pulvérulent n'entre pas en contact avec le composant liquide. Même de petites traces sur le bec ou le bouchon du flacon peuvent entraîner le durcissement prématuré de tout le contenu.

6.2 Application de la colle

- ▶ Appliquez une couche épaisse de colle (env. 0,5 mm d'épaisseur) sur le point à coller et rabattez la jauge sur le point de mesure.
- ▶ Mettez également de la colle sur le dessus de la jauge.
- ▶ Placez une feuille de cellophane par dessus.
- ▶ Chassez le surplus de colle sur les côtés par des mouvements de roulement du pouce (ne pas tirer ou pousser !).

- ▶ La couche de colle restante doit être aussi mince que possible. La colle sur le dessus de la jauge permet d'éviter la formation de bulles d'air sous la jauge. À température ambiante, maintenez la pression sur la jauge pendant encore 10 minutes avec le pouce. La colle a alors suffisamment pris pour que la jauge reste en position.

À des températures proches de 0°C, il faut appliquer une pression de 10 à 20 N/cm² environ sur la jauge pendant environ 3 minutes. Cette pression peut être obtenue à l'aide de poids, de ressorts, d'aimants ou d'un autre moyen similaire.

- ▶ Dès que la feuille de cellophane se détache facilement sans laisser de trace, vous pouvez commencer à raccorder les câbles à la jauge.



Important

Évitez les couches de colle trop épaisses, notamment en cas de basses températures (par ex. de -50 à -200°C) ou d'allongements importants, car les couches épaisses ont tendance à se détacher.

6.3 Polymérisation

Comme pour toutes les réactions chimiques, la vitesse de polymérisation dépend de la température ambiante et de la température de l'élément à coller. Respectez les temps de polymérisation minimum suivants avant de commencer la mesure :

Température en °C	Temps de polymérisation en minutes	
	pour des mesures sans rapport au zéro	pour des mesures par rapport au zéro
20	10 ... 15	20 ... 30
0	50 ... 60	60 ... 90

Si la température est basse, vous pouvez réduire le temps de polymérisation en chauffant prudemment, par exemple avec un évaporateur à infrarouge.

6.4 Autres possibilités d'utilisation

S'il est impossible de percer des trous pour des brides ou autres à proximité du point de mesure, vous pouvez également coller le câble de mesure avec la X60 en l'enfonçant dans la masse de colle à intervalles plus ou moins espacés selon les besoins. La colle X60 permet également de fixer des cosses relais.

En revanche, n'utilisez pas la X60 pour protéger des points de mesure contre l'humidité !

7.1 La date limite d'utilisation optimale

La date limite d'utilisation du composant B est indiquée sur le flacon. Le composant B peut être utilisé tant qu'il est miscible avec composant A.

Une luminosité intensive (rayonnement direct du soleil, lumière ultraviolette de lampes à vapeur de mercure, lampes à éclairage mixte à vapeur de mercure et tubes fluorescents) peut accélérer le durcissement ou l'épaississement du liquide.

Nous conseillons de conserver le flacon dans son emballage fermé tant qu'il n'est pas utilisé.

7.2 Transvaser de grands conditionnements



Important

Le composant B est une liquide inflammable dont le point de flamme est de +15 °C (Abel-Pensky). Il est conseillé d'observer les précautions relatives à la manipulation des solvants et des monomères.

Bien que X60 soit physiologiquement inoffensif (ne contient pas d'halogènes), nous conseillons d'éviter les contacts intenses avec la peau et, de toute façon, de se laver très soigneusement les mains après chaque manipulation.

Travail préliminaire

Enlever le couvercle et le compte-gouttes de la bouteille du composant B et nettoyer tous les éléments à l'eau chaude. Les restes de colle durcis disparaissent après trempage prolongé dans l'eau chaude. Après le nettoyage, rincer abondamment toutes les parties à l'eau claire. Il faut s'assurer que la bouteille et le compte-gouttes soient parfaitement propres après rinçage. Laisser sécher ensuite les parties nettoyées à l'air dans un endroit exempt de poussière.

Remplissage

Pour remplir le composant B, il est conseillé, d'utiliser un entonnoir très propre en polyéthylène. S'assurer que l'endroit soit exempt de poussière et surtout, qu'il n'y ait pas de produit du composant A sur ou dans la bouteille, et que l'air n'en contienne pas en suspension. Cela conduirait à la détérioration rapide du composant B. Pour cette raison, il est conseillé de transvaser d'abord le composant B, de bien reboucher la bouteille et de transvaser ensuite le composant A.

Le composant A peut être transvasé au moyen d'une cuiller, sans précautions particulières.

8 CARACTÉRISTIQUES TECHNIQUES

Limites de température		
Pour des mesures par rapport au zéro	°C	-200 ... +60
Pour des mesures sans rapport au zéro		-200 ... +60

